

CIRCULATION.
GENERAL

TELEPRINTER & ASSOCIATED REPERFORATOR POSITION.

TG(L) 3021.
29-2-44

REVISION	DATE	DESCRIPTION
A		NOTE & RESISTOR R ADDED (S.B. N.W.S. Unit term was Res. R was Res. Coil No 92 D.T.N. 2085. T and SR symbols revised).
B		

AMENDMENT.

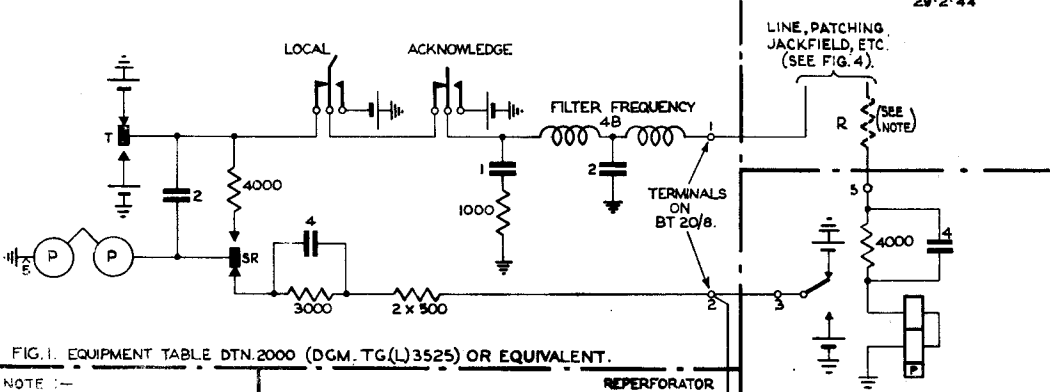


FIG. 1. EQUIPMENT TABLE DTN.2000 (DGM. TG(L)3525) OR EQUIVALENT.

NOTE :-
RESISTOR 'R' (RESISTOR COIL NO 9 1000Ω) TO BE PROVIDED LOCALLY WHEN,
(a) LINE IS OF LESS THAN 500Ω D.C. RESISTANCE.
OR
(b) CONNEXIONS ARE AS IN FIG. 4

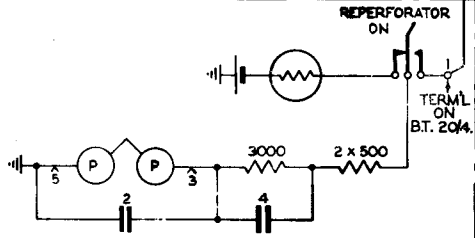


FIG. 2. REPERFORATOR POSITION. (DGM. TG(L) 3550)

LINE, PATCHING JACKFIELD, ETC. (SEE FIG. 4).

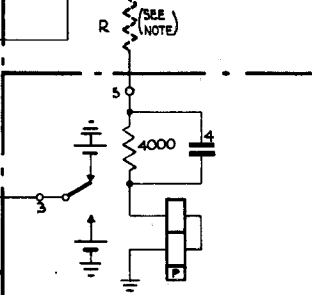


FIG. 3. UNIT TERMINATING TG1138 (DGM. TG/TGW1138) OR EQUIVALENT.

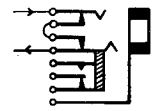


FIG. 4. CONNEXION IF USED WITH PATCHING JACK FIELD.

W

TELEPRINTER & ASSOCIATED REPERFORATOR POSITION.

TG(L) 3021.
PAGE I
ISSUE C

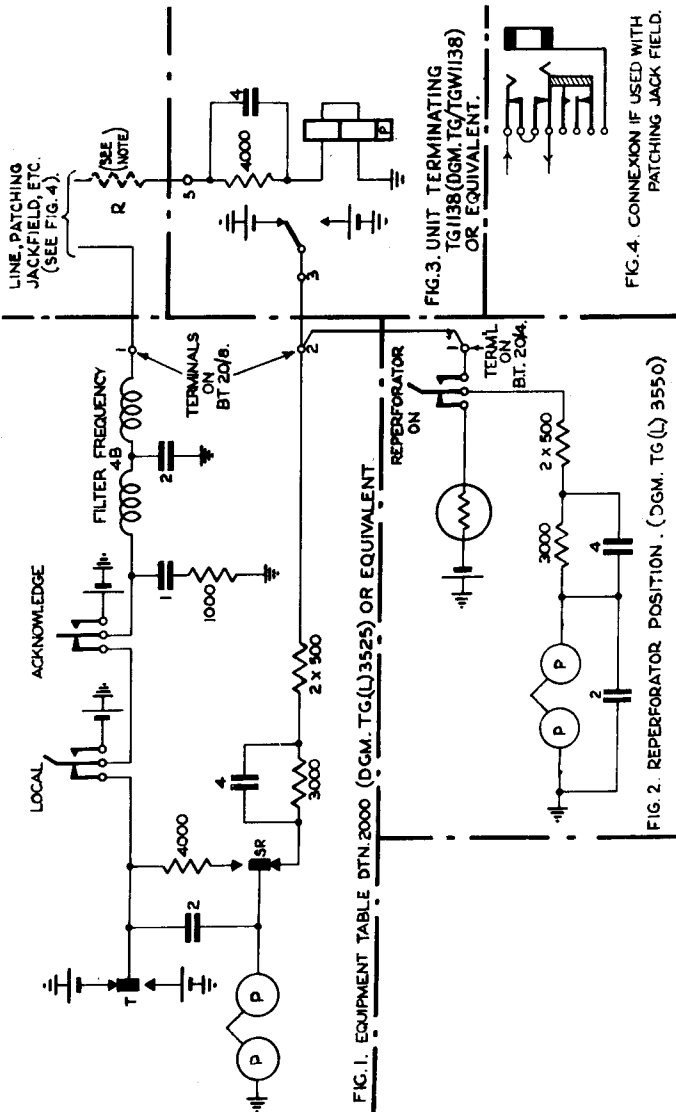
NOTE :-

RESISTOR 'R' (RESISTOR COIL NO9 1000Ω) TO BE PROVIDED

LOCALLY WHEN
(a) LINE IS OF LESS THAN 500Ω D.C. RESISTANCE.

OR

(b) CONNEXIONS ARE AS IN FIG. 4



P.O.E.D.
S. BCH.

PAPER : W
CIRCULATION :
GENERAL

ISSUE			
C	NEW FORMAT.		21-1-67
B	RES. R. HAS RES. COIL NO12 UNIT TERM. WAS DTN 2085 T AND SR SYMBOLS REVISED WFR		18-11-49
A	NOTE & RESISTOR ADDED		28-9-49
	H.E.W.		23-2-44