

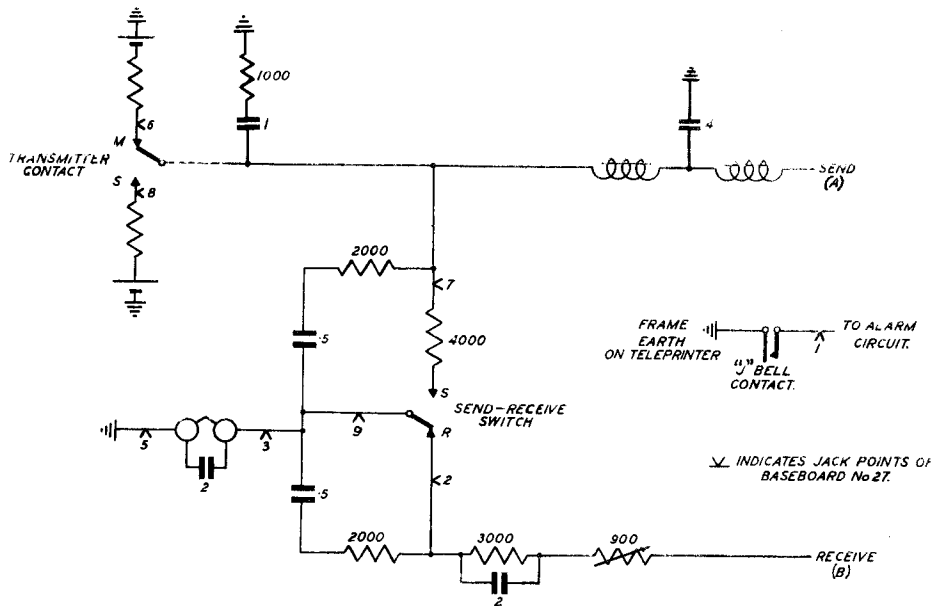
CIRCULATION

GENERAL

# TELEPRINTER No. 7. CIRCUIT MODIFIED FOR LOCAL RECORD BY MEANS OF SEND-RECEIVE SWITCH.

TG(L) 3004

2-3-39



						3-5-38 A
1/4 spark quench valve added						

Amendment