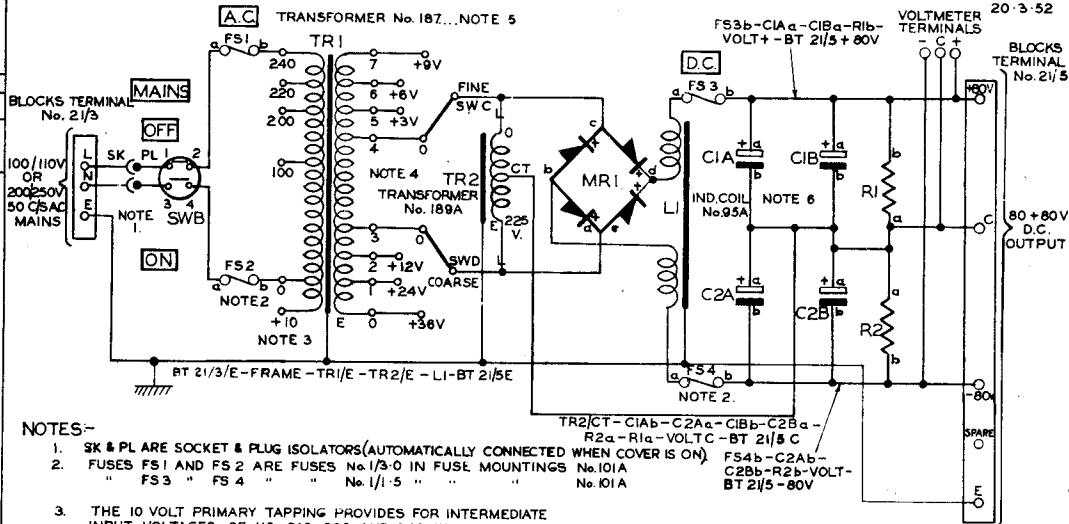


# RECTIFIER No. 60A

TG (L) 205/1

20.3.52



## NOTES:-

1. SK & PL ARE SOCKET & PLUG ISOLATORS (AUTOMATICALLY CONNECTED WHEN COVER IS ON)
2. FUSES FS1 AND FS2 ARE FUSES No.1/3-0 IN FUSE MOUNTINGS No.101A  
 " FS3 " FS4 " " No.1/1.5 " " " No.101A
3. THE 10 VOLT PRIMARY TAPPING PROVIDES FOR INTERMEDIATE INPUT VOLTAGES OF 110, 210, 230 AND 250 WHEN USED IN CONJUNCTION WITH 100, 200, 220 AND 240 VOLT TAPPINGS RESPECTIVELY.
4. WHEN MAKING INITIAL ADJUSTMENTS SET BOTH TAPPING SWITCHES TO "O" BEFORE SWITCHING ON POWER. ADJUST OUTPUT VOLTAGE TO  $160 \pm 2$  VOLTS (WITH LOAD CIRCUIT CONNECTED) IN STEPS OF 3 VOLTS AND NOT BY 12 VOLT STEPS. ONLY ADVANCE THE 12 VOLT SWITCH ONE POSITION IF THE 9 VOLT ADJUSTMENT ON SWC IS INSUFFICIENT, AND AFTER RESTORING SWC TO "O".
5. TRANSFORMER No.187A IN EARLIER MODELS, TRANSFORMER 187B IN LATER MODELS CONNEXIONS IDENTICAL. TRANSFORMER No.187B HAS LARGER WINDING TR3-TR4.
6. CAPACITORS C1A, C1B, C2A & C2B ARE CAPACITORS ELECTROLYTIC No.3103

|  |         |
|--|---------|
| CIRCUITATION                                   | GENERAL |
|  | SUFFIX  |
| SK & PL FORMERLY SWA, NOTE 1 AMENDED 22.3.7.52 | AMENDT. |
|  | PAPER   |
|  | WHITE   |