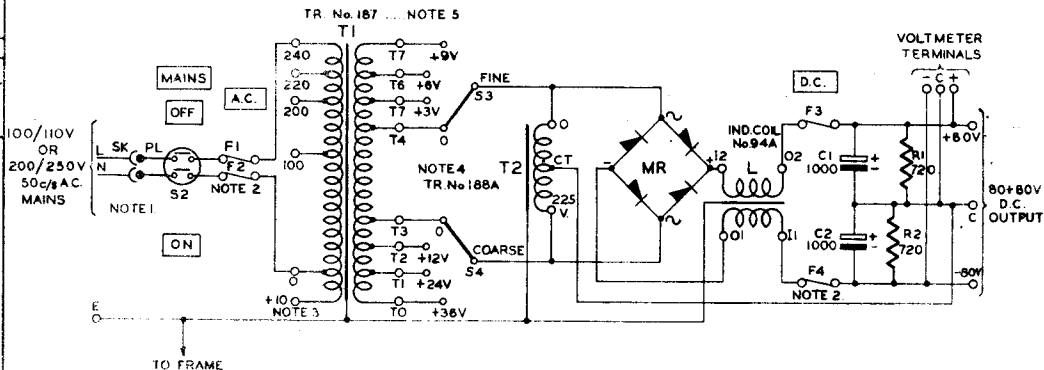


RECTIFIER NO. 60A.

TG(L)2051/0

24-10-46.

CIRCULAR HOY	GENERAL
	SUFFIX
COMPONENT TITLES ADDED, CHOKE, TERMINALS (RE-NUMBERED, FORMERLY T.C.), NOTE 5 ADDED, COIL NO. 94A, 7/0 & SUPERSESSOR NOTE ADDED, SK & PL FORMERLY SVA, NOTE 1 AMENDED	A
	B
	C
	C
PAPER	WHITE
AMEND	NOT



NOTES:

- SK & PL ARE SOCKET & PLUG ISOLATORS (AUTOMATICALLY CONNECTED WHEN COVER IS ON)
- FUSES 'F1' & 'F2' ARE FUSE 1/3B IN CUTOUTS No.121B.
" 'F3' & 'F4' " " 1/2 " " " 121B
- THE 10 VOLT PRIMARY TAPPING PROVIDES FOR INTERMEDIATE INPUT VOLTAGES OF 110, 210, 230 AND 250 WHEN USED IN CONJUNCTION WITH 100, 200, 220 AND 240 VOLT TAPPINGS RESPECTIVELY
- WHEN MAKING INITIAL ADJUSTMENTS SET BOTH TAPPING SWITCHES TO "0" BEFORE SWITCHING ON POWER. ADJUST OUTPUT VOLTAGE TO 160 ± 2 VOLTS (WITH LOAD CIRCUIT CONNECTED) IN STEPS OF 3 VOLTS AND NOT BY 12 VOLT STEPS. ONLY ADVANCE THE 12 VOLT SWITCH ONE POSITION IF THE 9 VOLT ADJUSTMENT ON S3 IS INSUFFICIENT, AND AFTER RESTORING S3 TO "0"
- TRANSFORMER No.187A IN EARLIER MODELS, 187B IN LATER MODELS. CONNEXIONS IDENTICAL, 187B HAS LARGER WINDING T3-T4