



CIRCULATION

GENERAL

## RECTIFIER N° 43 A/B

TG (L)2024

10-6-40

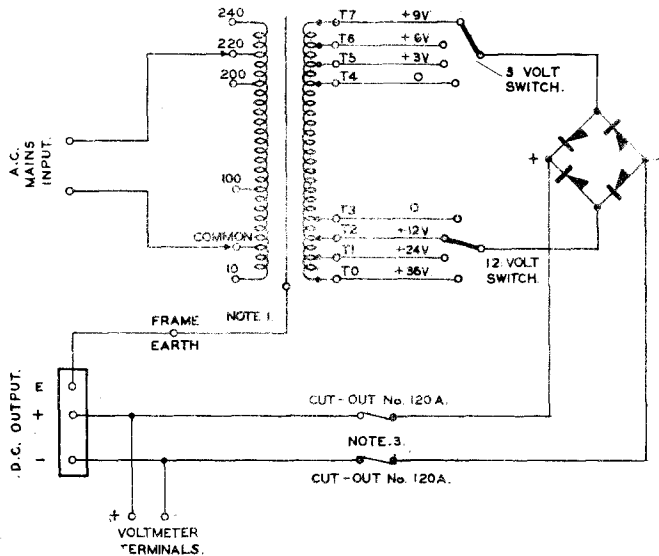
## NOTES.

1. THE 10 V. PRIMARY TAPPING PROVIDES FOR INTERMEDIATE INPUT VOLTAGES OF 110, 210, 230 AND 250 WHEN USED IN CONJUNCTION WITH OTHER TAPPINGS.

2. WHEN MAKING INITIAL ADJUSTMENT SET BOTH TAPPING SWITCHES TO '0' BEFORE SWITCHING ON POWER, ADJUST OUTPUT VOLTAGE TO 107.5 ± 2.5 VOLT (WITH TELEPRINTER MOTOR RUNNING) IN STEPS OF 3 VOLTS AND NOT BY 12 VOLT STEPS. ONLY ADVANCE THE 12 VOLT SWITCH ONE POSITION IF THE 9 VOLT ADJUSTMENT ON THE 3 VOLT SWITCH IS INSUFFICIENT, AND AFTER RESTORING THE 3 VOLT SWITCH TO '0'

3. CUT-OUT NO 120A TO BE WIRED WITH WIRE, FUSE, NICKEL SILVER 62 MILS (CARRIES 1.5 AMPS).

4. ON SOME UNITS TAPPING SWITCHES ARE NOT PROVIDED, ADJUSTMENTS BEING MADE ON THE TERMINAL BLOCKS



AMENDMENT

NOTE A. TITLE AMENDED.  
NOTE B. REVISIONS 4-1-5 RECOMMENDED S.A.  
Formerly TG 2024, Note 5 (add. revision number TG(L) 2024  
30-8-43  
3-9-41)

W