

NOTES :-

- FOR TELEPRINTER No.7B. WIRING SEE DGM. TG (L) 1101/...
FOR TELEPRINTER TABLE WIRING SEE DGM. TG(L) 3525/2 OR /3.
FOR MODIFICATION FOR USE WITH TABLE TELEPRINTER No.5A OR BENCH MOUNTING SEE DGM. TG/TGW 1266.
- X—X— INDICATES CONNEXION WHEN LAMP & BELL SUPPLY IS OBTAINED FROM +80V BATTERY.
—●—●— INDICATES CONNEXION WHEN LAMP & BELL SUPPLY IS OBTAINED FROM LOCAL 6V TRANSFORMER OR BATTERY.
- FOR NEW WORK:-
Ⓐ INDICATES WIRE P.V.C. No.1. 1 WIRE/20. ALL OTHER WIRING TO BE WIRE SWITCHBOARD, P.V.C., S.L., 1 WIRE/6 1/2. DIFFERENT TYPES OF WIRE AND A DIFFERENT COLOUR SCHEME ARE IN USE ON SOME EXISTING EQUIPMENT.
- ⊠ INDICATES TERMINAL ON BLOCK TERMINAL No. 21/3. OTHER TERMINALS ARE ON MAIN CONNEXION STRIP.
- WHERE ALTERNATIVE KEY SPRING NUMBERING IS SHOWN. THE NUMBER IN BRACKETS APPLIES TO BASEBOARD No.27C MARK 3 ONLY WHILE THE UNBRACKETED NUMBER APPLIES TO BASEBOARD No.27E ONLY.
- THE CLEARING KEY ON BASEBOARD No.27E IS OF THE AUTOMATIC TYPE WHICH TAKES 5 SECONDS TO RESTORE.

KEY TABLE

FUNCTION & CODE	KEY No. FOR BASEBOARD No.27C	KEY No. FOR BASEBOARD No.27E
<u>LAMP ON (KA)</u> 2	No. 68.	No. 212.
<u>LOCAL (KL)</u> 2	No.174.	
<u>CLEAR (KC)</u> 1 OR 2		No. D. 64672 (NOTE 6)



TG(L) 1265

2 PANELS-1

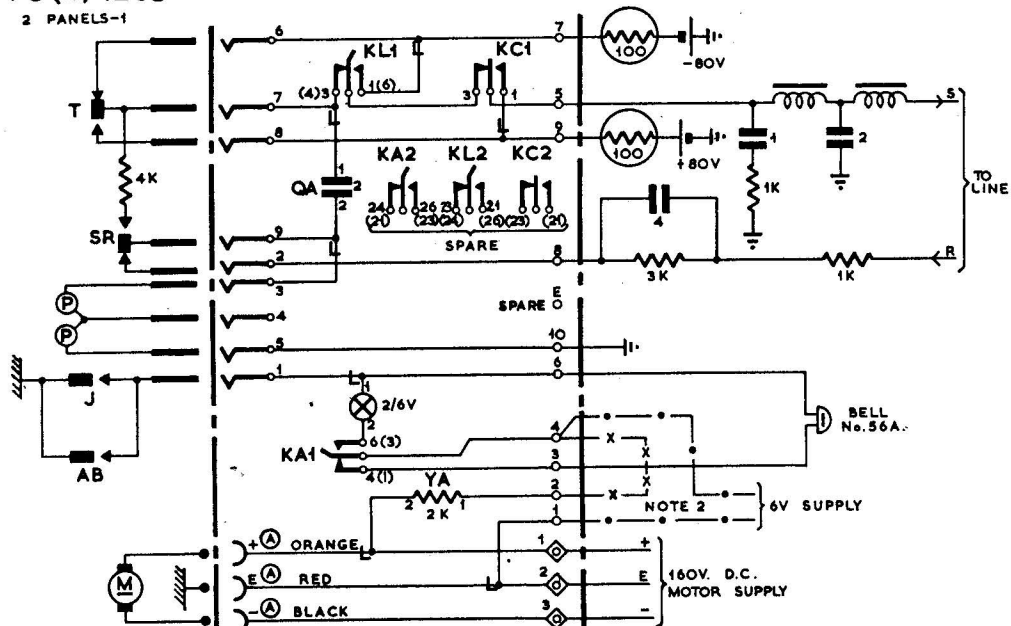


FIG. 1. TELEPRINTER No. 7B.
(EXPLANATORY ONLY)

FIG. 2. BASEBOARD No. 27C (MARK 3)
OR 27 E.

FIG. 3. EQUIPMENT TABLE DTN 2000
(EXPLANATORY ONLY)

BASEBOARD No.27C MARK 3 AND BASEBOARD No.27E.

NOTES :-

1. FOR TELEPRINTER No. 7B. WIRING SEE
DGM. TG (L) 1101/..
FOR TELEPRINTER TABLE WIRING SEE
DGM. TG(L) 3525/2 OR /3
FOR MODIFICATION FOR USE WITH TABLE
TELEPRINTER No 5A OR BENCH MOUNTING SEE
DGM. TG/TGW 1266.
2. —X—X— INDICATES CONNEXION WHEN LAMP
& BELL SUPPLY IS OBTAINED FROM +80V BATTERY
—●—●— INDICATES CONNEXION WHEN LAMP
& BELL SUPPLY IS OBTAINED FROM LOCAL 6V
TRANSFORMER OR BATTERY.
3. FOR NEW WORK:-
Ⓐ INDICATES WIRE P.V.C. No.1. 1 WIRE/20. ALL
OTHER WIRING TO BE WIRE SWITCHBOARD,
P.V.C., S.L., 1 WIRE/6 1/2. DIFFERENT TYPES OF
WIRE AND A DIFFERENT COLOUR SCHEME ARE
IN USE ON SOME EXISTING EQUIPMENT.
4. Ⓢ INDICATES TERMINAL ON BLOCK TERMINAL
No. 21/3. OTHER TERMINALS ARE ON MAIN
CONNEXION STRIP
5. WHERE ALTERNATIVE KEY SPRING
NUMBERING IS SHOWN. THE NUMBER IN
BRACKETS APPLIES TO BASEBOARD No.27C
MARK 3 ONLY WHILE THE UNBRACKETED
NUMBER APPLIES TO BASEBOARD No.27E
ONLY.
6. THE CLEARING KEY ON BASEBOARD No.27E
IS OF THE AUTOMATIC TYPE WHICH TAKES
5 SECONDS TO RESTORE.

KEY TABLE		
FUNCTION & CODE	KEY No. FOR BASEBOARD No.27C	KEY No. FOR BASEBOARD No.27E
LAMP ON (KA) 2	No. 68.	No. 212.
LOCAL (KL) 2	No. 174.	
CLEAR (KC) 1 OR 2		

P.O.E.D.
TG. BCH.

PAPER
CIRCULATION

ISSUES		
	A	NEW FORMAT
		2-10-56

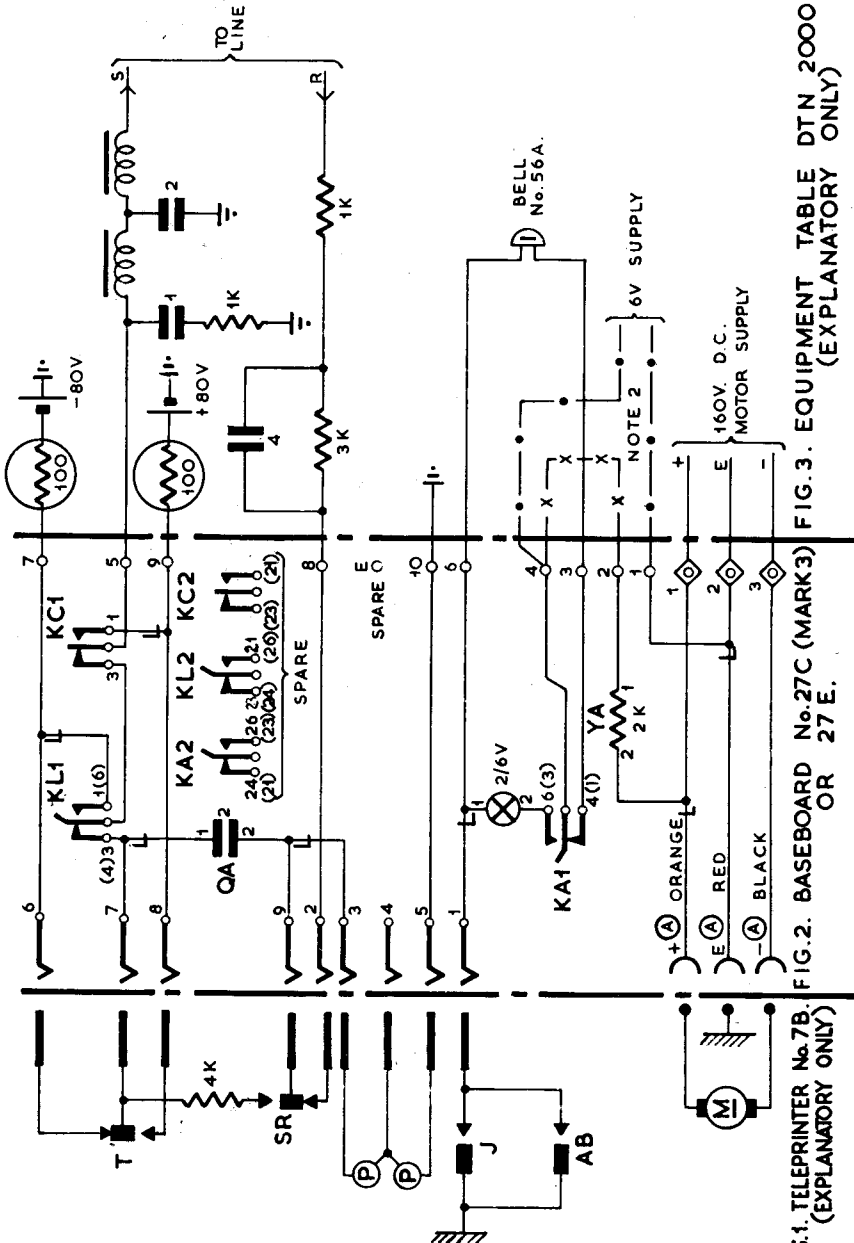


FIG.1. TELEPRINTER No.7B.
(EXPLANATORY ONLY)

FIG.2. BASEBOARD No.27C (MARK3)
OR 27 E.
FIG.3. EQUIPMENT TABLE DTN 2000
(EXPLANATORY ONLY)