

CIRCULATION	GENERAL
	SUFFIX
A	30-7-53
	FR
FIG. 2 MADE EXPLANATORY ONLY	1000
TABLE	WHITE

TAPE EXHAUSTION ALARM — PRINTING REPERFORATOR POSITION

TG(L) 1183
30.4.52.

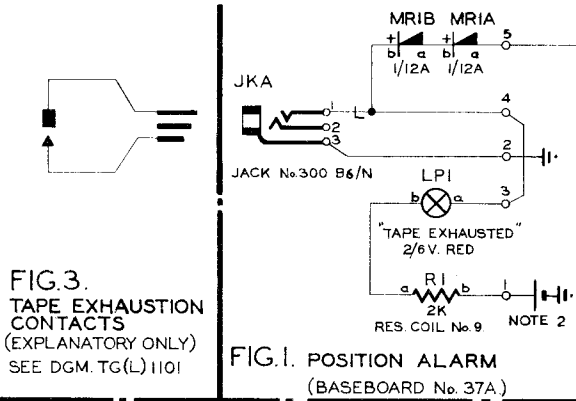


FIG. 3.
TAPE EXHAUSTION CONTACTS
(EXPLANATORY ONLY)
SEE DGM. TG(L) 1101

FIG. 1. POSITION ALARM
(BASEBOARD No. 37A.)

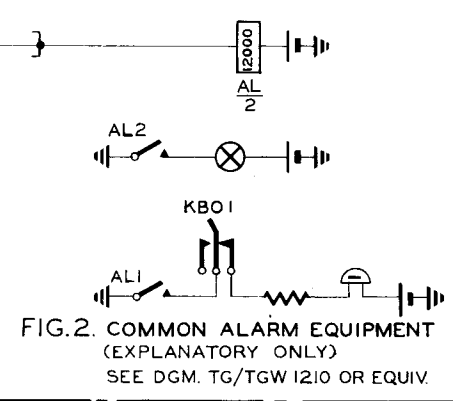


FIG. 2. COMMON ALARM EQUIPMENT
(EXPLANATORY ONLY)
SEE DGM. TG/TGW 1210 OR EQUIV.

- NOTES:-
- 1 WIRING OF FIG 1. TO BE WIRE SWBD. E.D.S. & C.C. 1W/0¼ OR P.V.C. INSULATED ALTERNATIVE.
 - 2 POSITIVE BATTERY AND EARTH SUPPLY FOR POSITION ALARM TO BE OBTAINED FROM SOCKET OUTLET No. 8. OF ASSOCIATED POSITION.
 - 3 ANY NUMBER OF POSITIONS MAY SHARE ONE COMMON ALARM CIRCUIT DEPENDING ON PARTICULAR REQUIREMENTS.

TAPE EXHAUSTION ALARM PRINTING REPERFORATOR POSITION

TG(L) 1183

PAGE 1
ISSUE B

NOTES:-

1. WIRING OF FIG. 1. TO BE WIRE SWBD. E.D.S. & C.C. 1W/0¼ OR P.V.C. INSULATED ALTERNATIVE.
2. POSITIVE BATTERY AND EARTH SUPPLY FOR POSITION ALARM TO BE OBTAINED FROM SOCKET OUTLET No. 8. OF ASSOCIATED POSITION.
3. ANY NUMBER OF POSITIONS MAY SHARE ONE COMMON ALARM CIRCUIT DEPENDING ON PARTICULAR REQUIREMENTS.

FIG. 3.
TAPE EXHAUSTION
CONTACTS
(EXPLANATORY ONLY)
SEE DGM. TG(L) 1101

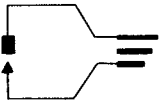
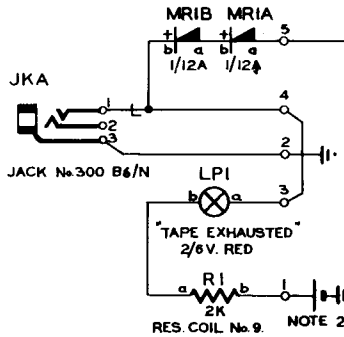
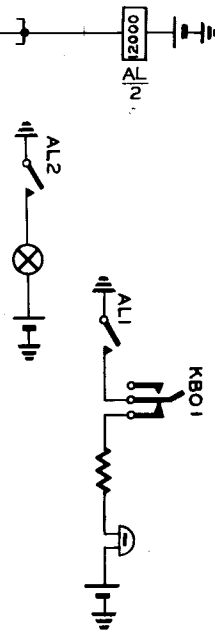


FIG. 1. POSITION ALARM
(BASEBOARD No. 37A)



**FIG. 2. COMMON ALARM
EQUIPMENT**
(EXPLANATORY ONLY)
SEE DGM. TG/TGW 1210
OR EQUIV.



P.O.E.D.
S. B.C.H.

PAPER :- W
CIRCULATION :-
GENERAL

ISSUE	B	NEW FORMAT		
	A	FIG 2 MADE EXPLANATORY ONLY	<i>Ala</i>	31.1.67
		G.W.W. L.F.R. A.E.G. T.G.17		20.7.53
				30.4.62