

# TRANSMITTER AUTOMATIC No.2D/1

TG (L) 1156/1  
2 PANELS - 1  
11-9-58

CIRCULATION	GENERAL
	Suffix
Amend.	
PAPER	W

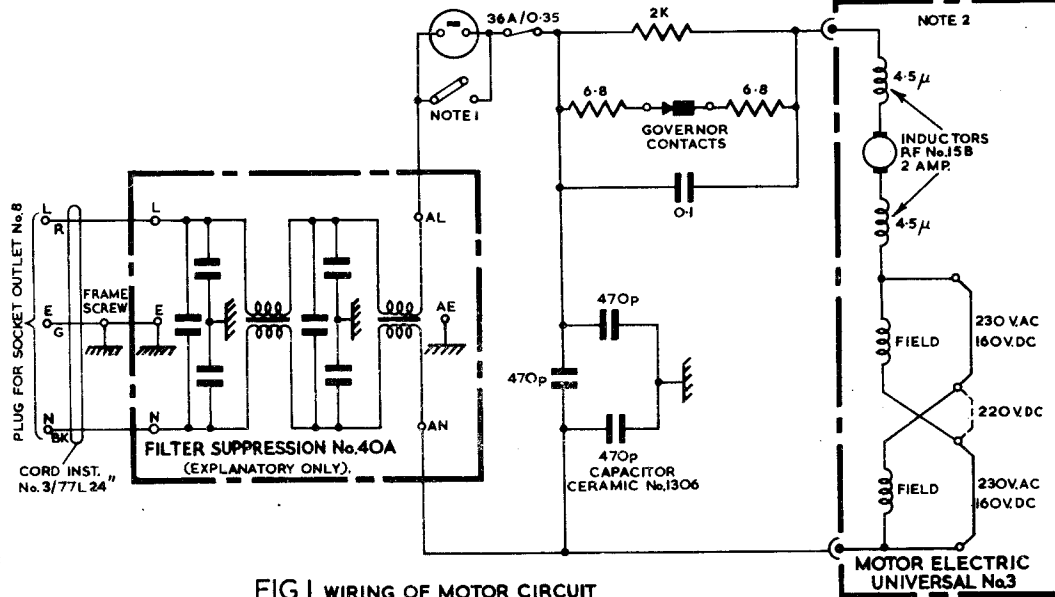


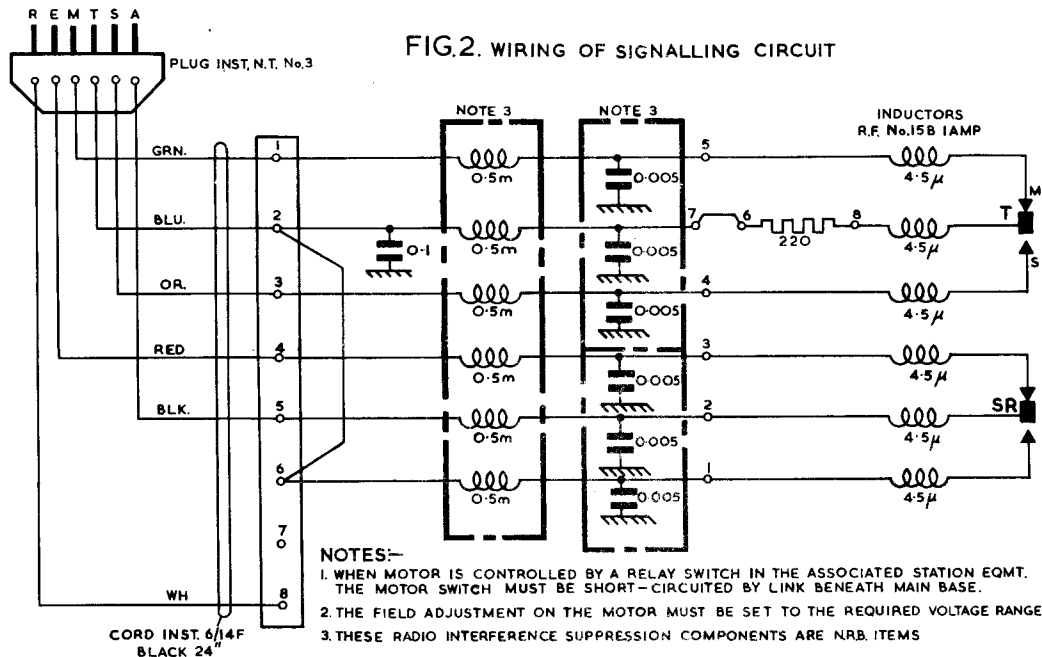
FIG. I. WIRING OF MOTOR CIRCUIT

TG(L) 1156/1

2 PANELS - 2

# TRANSMITTER AUTOMATIC No. 2D/1

FIG.2. WIRING OF SIGNALLING CIRCUIT



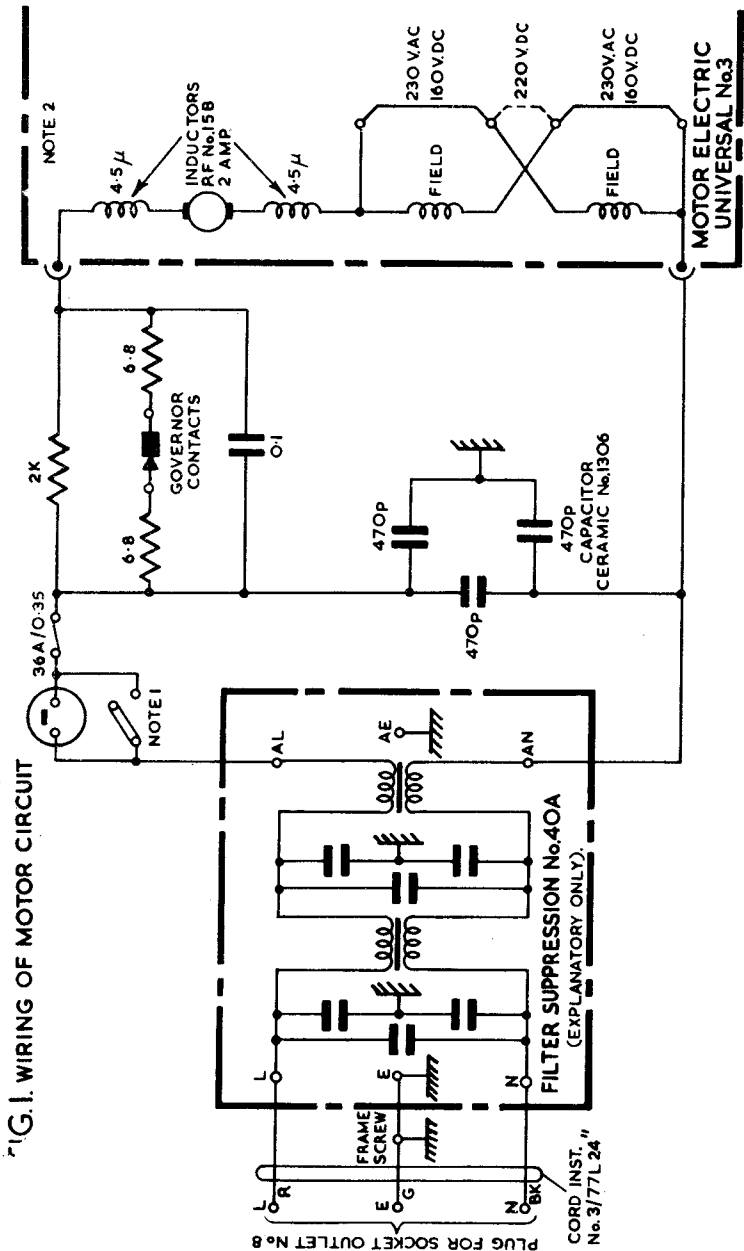


FIG. 1. WIRING OF MOTOR CIRCUIT

P.O.E.D.  
TG.BCH.

PAPER: W  
CIRCULATION:  
GENERAL

ISSUE			
A	NEW FORMAT		
	R.F.H. H.M.	TG 3/9	
			2-3-66
			11-9-58

