

# UNIT TERMINATING TG1148. SCHEMATIC AND WIRING.

TG(L)1148

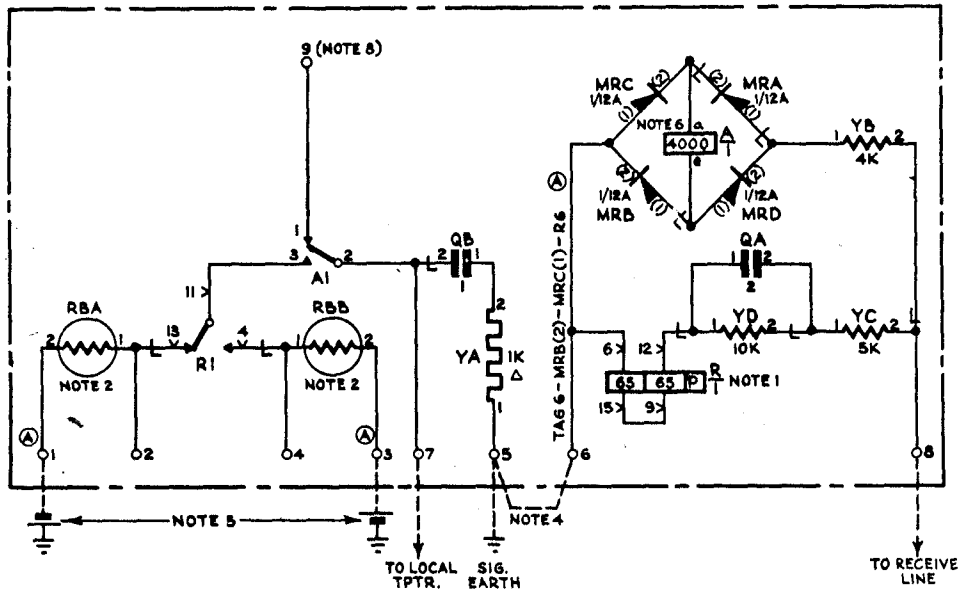
2 PANELS - 1  
11.12.50

CIRCULATION  
GENERAL

Suffix

Amend

PAPER  
W



TG(L) 1148

2 PANELS - 2

NOTES

1. RELAY POLARIZED No. 2B/100
2. RESISTORS, BULB No. 11 - 100  $\Omega$
3.  $\Delta$  INDICATES RESISTOR CARBON 1W, 1000  $\Omega$  10%. ALL OTHER RESISTORS TO BE RESISTORS COIL No. 12.....  $\Omega$
4. THE TYPICAL EXTERNAL CONNEXIONS SHOWN ARE FOR TWO-WIRE SIMPLEX WORKING. FOR TWO-LOOP SIMPLEX WORKING THE STRAP BETWEEN TERMINALS 5 AND 6 SHOULD BE REMOVED AND TERMINALS 6 AND 8 CONNECTED TO THE RECEIVE PAIR.
5. THE 80 + 80V. SUPPLY WILL BE OBTAINED EITHER FROM A RECTIFIER No. 60A, OR 26B, OR FROM A BATTERY. WHERE RESISTORS BULB No. 11, 100  $\Omega$  ARE INCLUDED IN THE RECTIFIER, THOSE IN THE UNIT WILL NOT BE USED AND TERMINALS 2 AND 4 SHOULD BE USED IN PLACE OF 1 AND 3.
6. RELAY No. 9784.
7.  $\textcircled{A}$  INDICATES WIRE F.P. I.R.V. 1W/12 $\frac{1}{2}$ . ALL OTHER WIRING TO BE WIRE SWBD. E.T.B. AND C.C., 1W/9 $\frac{1}{4}$ .
8. WHEN IT IS REQUIRED THAT A DISCONNECTED LINE SHALL CAUSE A SPACE OR MARK TO BE SENT TO THE LOCAL INSTRUMENT, TERMINAL 9 SHALL BE STRAPPED TO TERMINAL 4 OR 2 RESPECTIVELY