

| | | | | | | | |
|---|---|---------|------|--------|------|---------|-------|
| PAPER | W | Amendmt | | Suffix | | GENERAL | |
| | | 6(X) | 7(Z) | 3(Q) | 4(R) | 12(L) | 13(M) |
| FIGS. 2, 4 & 6, & NOTE 5, AMENDED, NOTE 7 ADDED. P9 12-50 A | | | | | | | |
| CIRCULATION | | | | | | | |

TELEPRINTER No II. A & B

TG (L) 1129

4 PANELS - 1

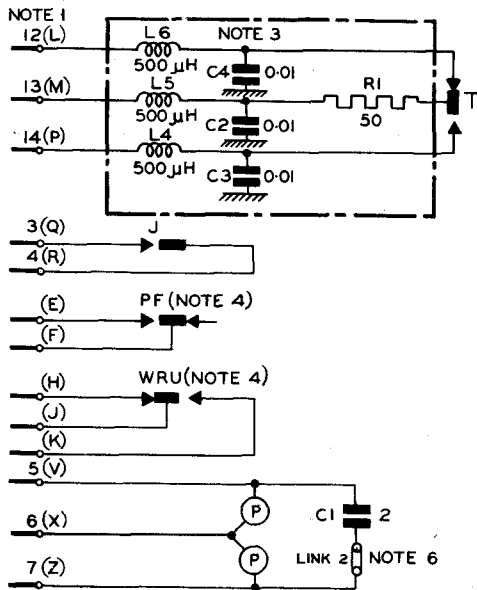


FIG. 1. SIGNALLING SCHEMATIC

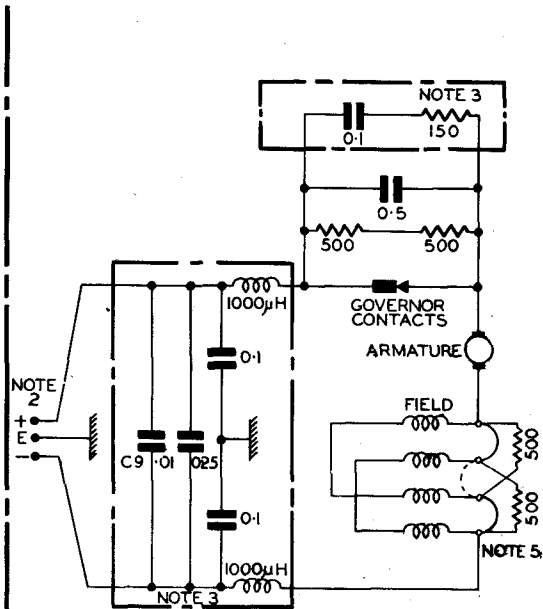


FIG. 2. MOTOR SCHEMATIC

TG(L)1129 4 PANELS-2

CORD INST No.
1701 BLACK 24

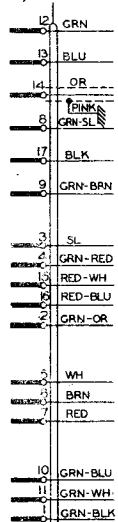


FIG 3A
TELEPRINTER No 11A
PLUG No 1701
WITH CORD



FIG 3B
TELEPRINTER No 11B
JACK No 69

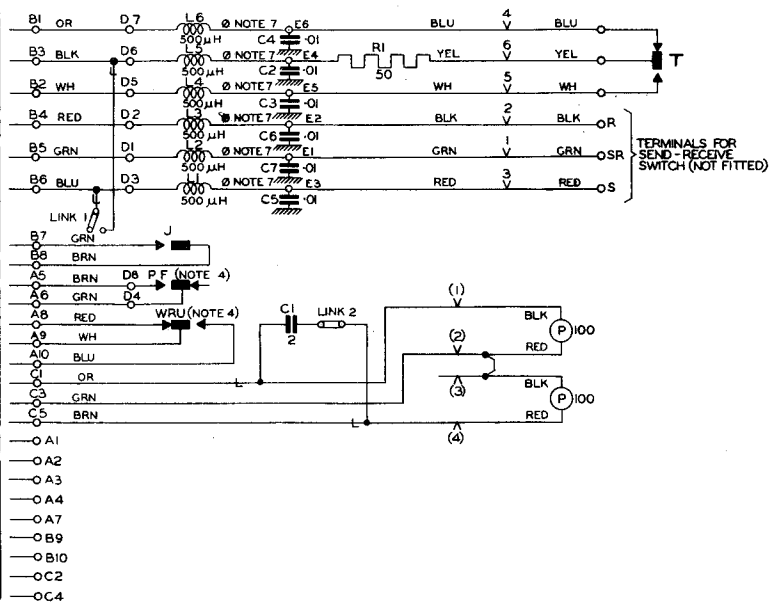


FIG 4
WIRING OF SIGNALLING CIRCUIT

| | |
|------------------------|--------|
| CIRCULATION GENERAL | Suffix |
| | A |
| 19-12-50 | |
| SEE PANELS 1 & 2 | |
| Amendt | |
| PAPER W | |

TELEPRINTER No 11A & B

TG(L) 1129

4 PANELS - 3

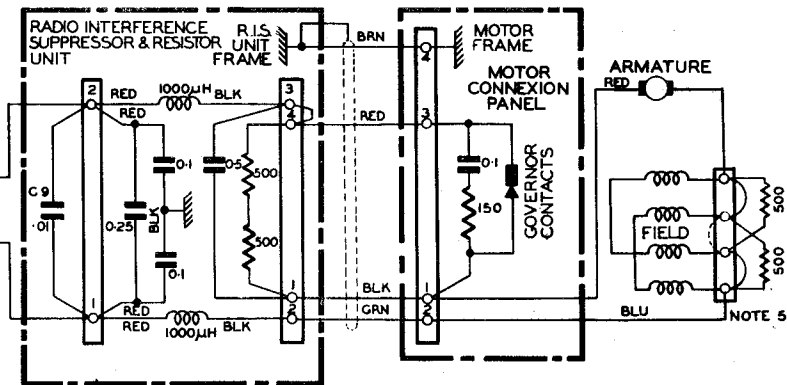
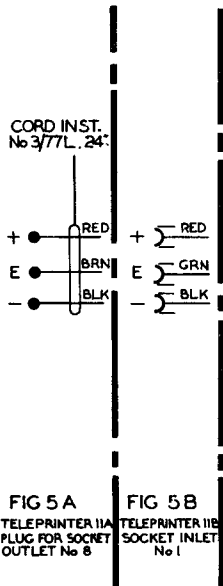


FIG 6 WIRING OF MOTOR CIRCUIT.

TG (L) 1129
4 PANELS 4

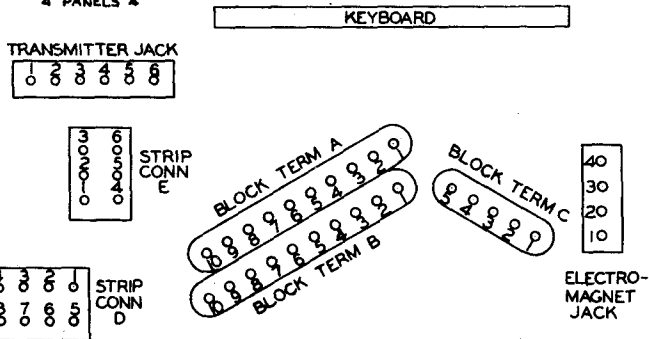


FIG. 7. LAYOUT OF BLOCKS TERMINAL, STRIPS CONN, TRANSMITTER AND ELECTROMAGNET JACKS AS SEEN FROM BELOW BASE.

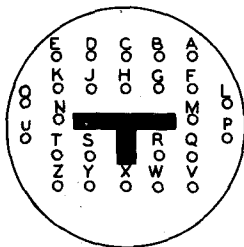


FIG. 8. JACK No 69 AS SEEN FROM FRONT OF JACK.

NOTES -

1. FIGURES REFER TO PLUG No 1701 FITTED TO TELEPRINTER No 11A; LETTERS TO JACK No 69 FITTED TO TELEPRINTER No 11B.
2. PLUG FOR SOCKET OUTLET No 8 ON TELEPRINTER No 11A; SOCKET INLET No 1 ON TELEPRINTER No 11B.
3. COMPONENTS WITHIN DOTTED LINE FITTED FOR RADIO INTERFERENCE SUPPRESSION PURPOSES ONLY.
4. "PAPER FAIL" (PF) AND "WHO ARE YOU" (WRU) CONTACTS ARE NOT PROVIDED ON TELEPRINTER No 11A.
5. FOR MOTOR STRAPS, SEE MARKINGS ON MOTOR. THE 500 OHM. FIELD SHUNT RESISTORS ARE FITTED ON THE TELEPRINTER No 11B. MOTOR ONLY. (I.E. MOTOR ELECTRIC D.C. No 24A)
6. CAPACITOR C1 IS NORMALLY CONNECTED AT LINK '2.
7. Ø INDICATES THE INNER WIRE FROM THE INDUCTOR.

TELEPRINTER No II. A, B & C.

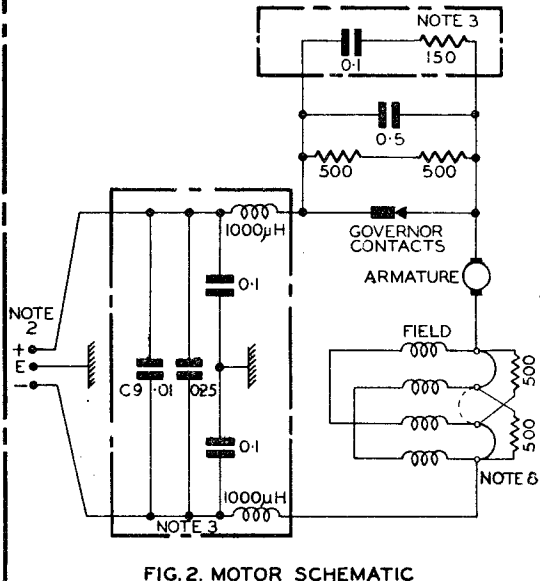
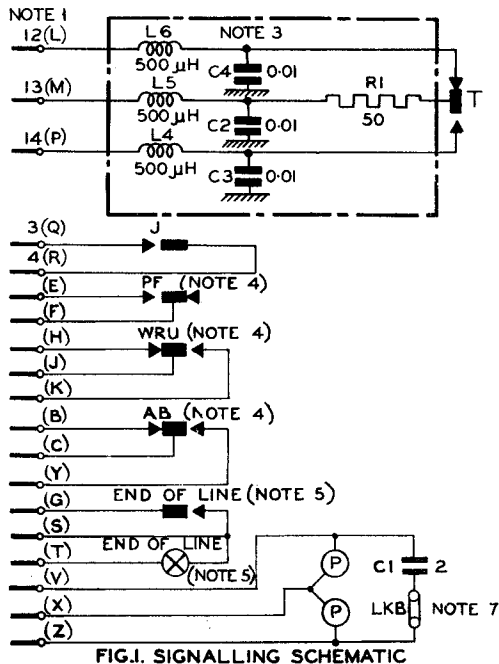
TG(L) 1129

5 PANELS - I

FIGS 2, 4 & 6, & NOTE 5 AMENDED; NOTE 7 ADDED. 29.12.50 A.
 AMENDED TO INCLUDE TPR No 11C. PANEL 5. 15.10.51 B.
 ADDED NOTES RE-ARRANGED & AMENDED.
 FIG.7. LAYOUT OF LNA, LKB AMENDED; NOTE 4 AMENDED. 12.6.52 C.

W

GENERAL



CORD INST No
1701 BLACK 24'

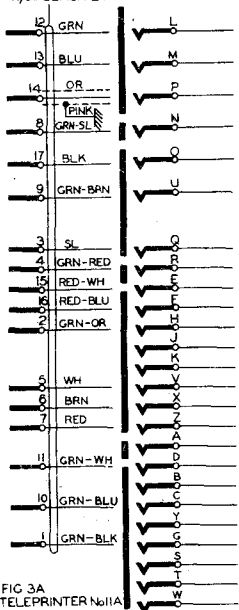


FIG 3A
TELEPRINTER No 11A
PLUG No 1701
WITH CORD

FIG 3B
TPTR No 11B & NC
JACK No 69

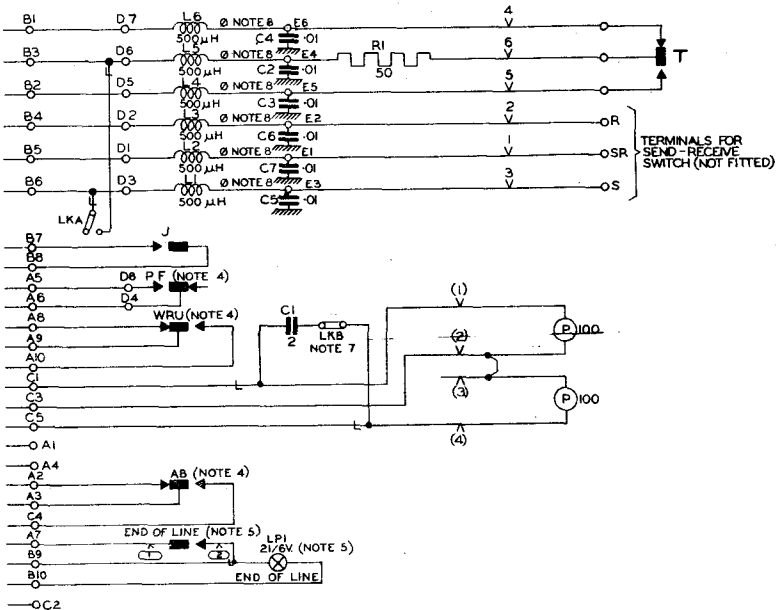


FIG 4
WIRING OF SIGNALLING CIRCUIT

TELEPRINTER No 11A, B & C.

TG(L) 1129

5 PANELS - 3

| | |
|--|--|
| CIRCULATION | GENERAL |
| | Suffix |
| | A 19-12-56 B 17-07-57 C 12-04-57 |
| SEE PANELS 1 & 2 SEE PANELS 1 & 2 SEE PANELS 1 & 2 | Amend |
| | PAPER |
| | W |

CORD INST. No 3/771...247

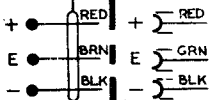


FIG 5A

TELEPRINTER 11A
PLUG FOR SOCKET
OUTLET No 8

FIG 5B

TPTR 11B & 11C
SOCKET INLET
No 1

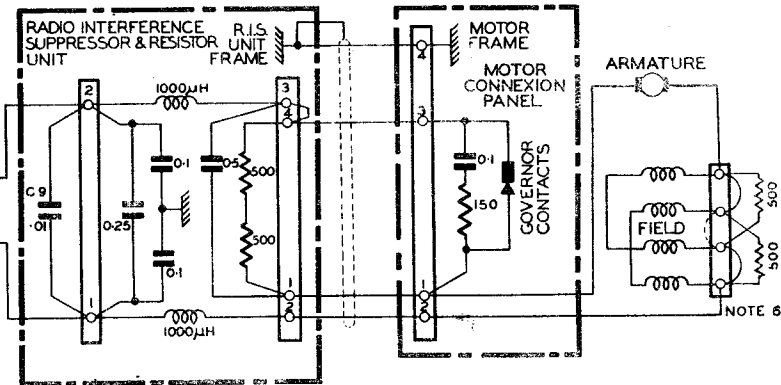


FIG 6 WIRING OF MOTOR CIRCUIT.

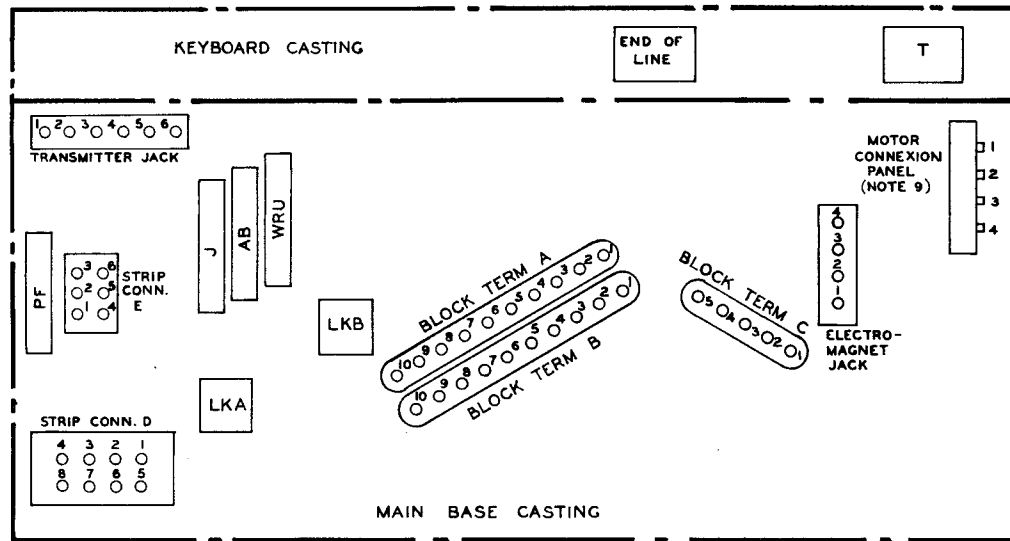


FIG. 7. LAYOUT OF BLOCKS TERMINAL, STRIPS CONN., SPRINGSETS AND JACKS AS SEEN FROM BELOW BASE.

| | | | |
|-------|--------|------------------|-------------|
| PAPER | Amend. | SEE PANELS 1 & 2 | CIRCULATION |
| | | SEE PANELS 1 & 2 | |
| | | SEE PANELS 1 & 2 | |
| | Suffix | | |
| | | 50-12-501 A | |
| | | 13-10-57 B | |
| | | 13-10-57 C | |

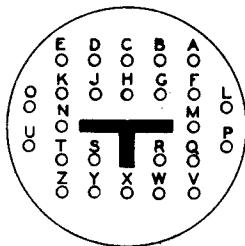


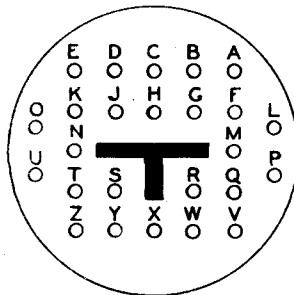
FIG. 8. JACK N° 69 AS SEEN FROM FRONT OF JACK.

NOTES: -

- FIGURES REFER TO PLUG N° 1701 FITTED TO TELEPRINTER N° 11A; LETTERS TO JACK N° 69 FITTED TO TELEPRINTERS N° 11B. AND 11C.
- PLUG FOR SOCKET OUTLET N° 8 ON TELEPRINTER N° 11A; SOCKET INLET N° 1 ON TELEPRINTERS N° 11B AND 11C.
- COMPONENTS WITHIN DOTTED LINE FITTED FOR RADIO INTERFERENCE SUPPRESSION PURPOSES ONLY.
- "PAPER FAIL" (PF) "WHO ARE YOU" (WRU) AND "ANSWER BACK" (AB) CONTACTS ARE NOT PROVIDED ON TELEPRINTER N° 11A. AB CONTACTS ARE NOT PROVIDED ON EARLY MODELS OF THE TELEPRINTER N° 11B.
- "END OF LINE" CONTACTS AND LAMP ARE PROVIDED ON TELEPRINTER N° 11C ONLY.
- FOR MOTOR STRAPS, SEE MARKINGS ON MOTOR. THE 500 OHM FIELD SHUNT RESISTORS ARE NOT FITTED ON TELEPRINTER N° 11A MOTOR. (I.E. MOTOR ELECTRIC D.C. N° 13B)
- CAPACITOR C1 IS NORMALLY CONNECTED AT LKB.
- Ø INDICATES THE INNER WIRE FROM THE INDUCTOR.
- NUMBERING OF TERMINALS IS REVERSED ON TYPE 2 MOTOR CONNEXION PANEL.

NOTES:-

1. FIGURES REFER TO PLUG N° 1701 FITTED TO TELEPRINTER N° 11A; LETTERS TO JACK N° 69 FITTED TO TELEPRINTERS N° 11B. AND 11C.
2. PLUG FOR SOCKET OUTLET N° 8 ON TELEPRINTER N° 11A; SOCKET INLET N° 1 ON TELEPRINTERS N° 11B AND 11C.
3. COMPONENTS WITHIN DOTTED LINE FITTED FOR RADIO INTERFERENCE SUPPRESSION PURPOSES ONLY.
4. "PAPER FAIL" (PF) "WHO ARE YOU" (WRU) AND "ANSWER BACK" (AB) CONTACTS ARE NOT PROVIDED ON TELEPRINTER N° 11A. AB CONTACTS ARE NOT PROVIDED ON EARLY MODELS OF THE TELEPRINTER N° 11B.
5. "END OF LINE" CONTACTS AND LAMP ARE PROVIDED ON TELEPRINTER N° 11C ONLY.
6. FOR MOTOR STRAPS, SEE MARKINGS ON MOTOR. THE 500 OHM FIELD SHUNT RESISTORS ARE NOT FITTED ON TELEPRINTER N° 11A MOTOR. (I.E. MOTOR ELECTRIC D.C. N° 13B)
7. CAPACITOR C1 IS NORMALLY CONNECTED AT LKB.
8. Ø INDICATES THE INNER WIRE FROM THE INDUCTOR.
9. NUMBERING OF TERMINALS IS REVERSED ON TYPE 2 MOTOR CONNEXION PANEL.



JACK N° 69 AS SEEN FROM FRONT OF JACK.

P.O.E.D.
S. BCH.

PAPER - W
CIRCULATION -
GENERAL

| | | | | |
|--------|---|--|---------------|----------|
| ISSUES | D | NEW FORMAT AND 11D ADDED TO TITLE. | | |
| | C | FIG.7 LAYOUT OF LKA, LKB AMENDED NOTE 4 AMENDED | W.F.E. | 12-6-52 |
| | B | AMENDED TO INCLUDE TPR. NO 11C PANEL 5 ADDED. NOTES 6 & 7 REARRANGED AND AMENDED | J.C.F. W.F.E. | 15-10-51 |
| | A | J.C.F. H.W.S. R.N.R. TG 1/7. | | 24-2-49 |

FIG. 1. SIGNALLING SCHEMATIC

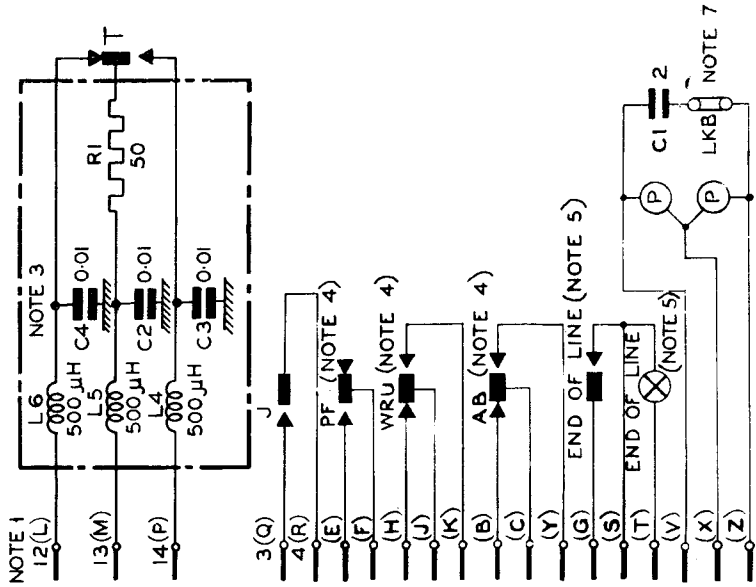
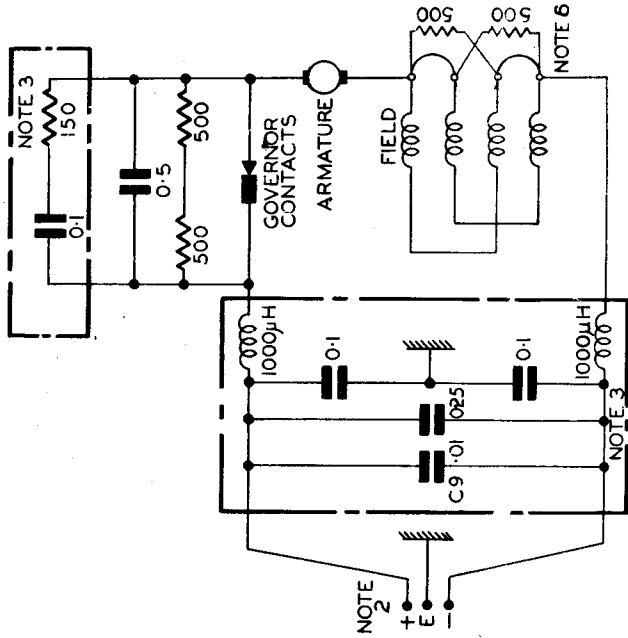


FIG. 2. MOTOR SCHEMATIC



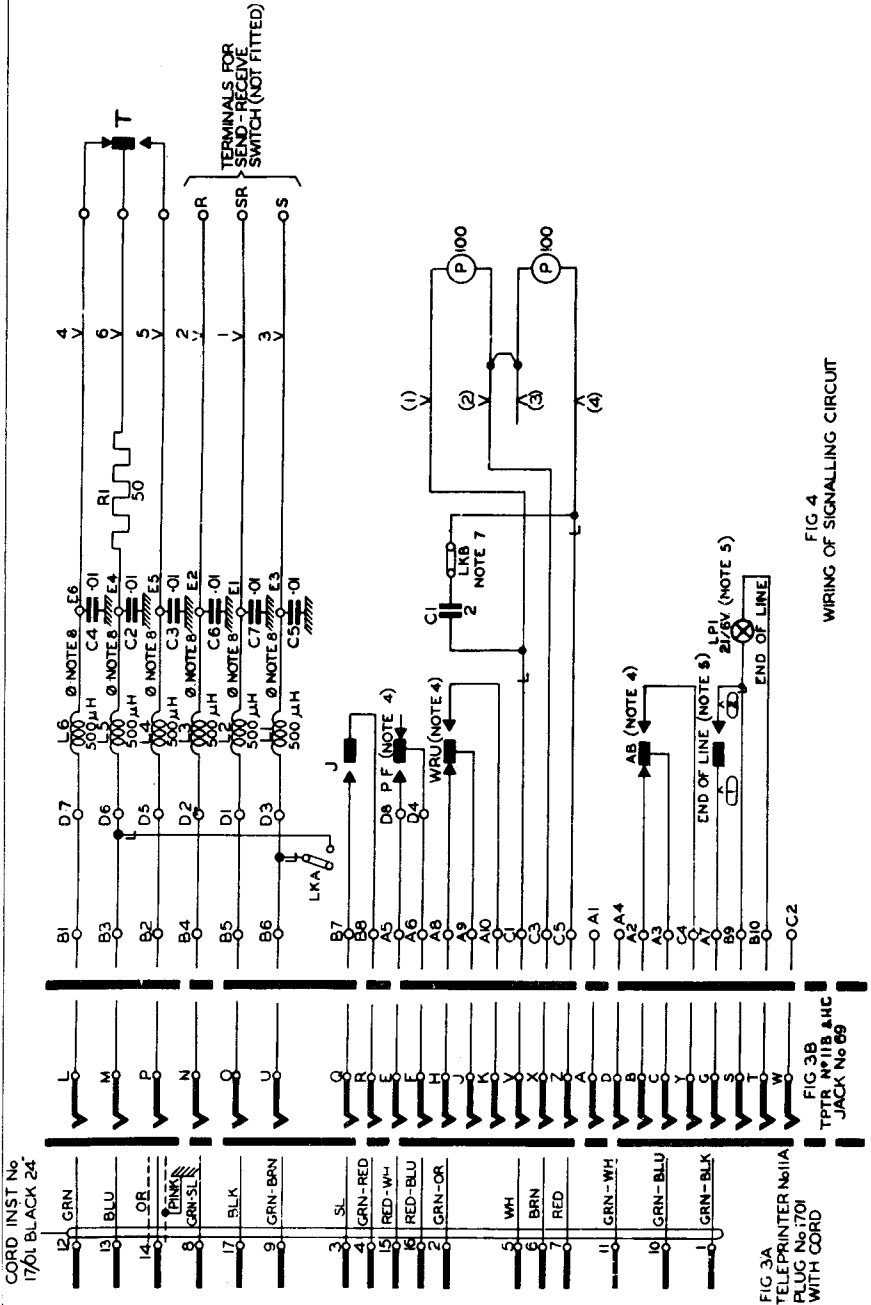
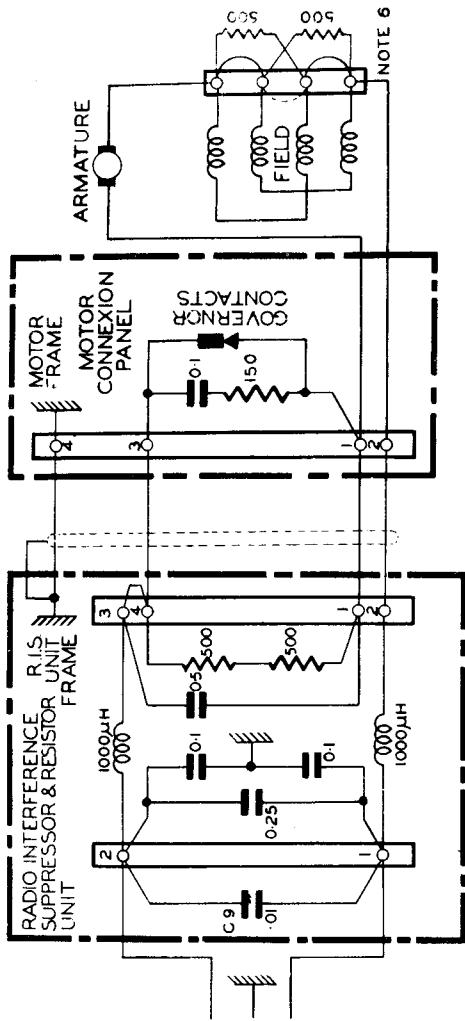


FIG 6 WIRING OF MOTOR CIRCUIT.



CORD INST.
No 3/771...24



FIG 5A
TELEPRINTER IIIA
PLUG FOR SOCKET
OUTLET No 8

FIG 5B
TPTR IIIA & IIC
SOCKET INLET
No 1

FIG. 7 LAYOUT OF BLOCKS TERMINAL, STRIPS CONN, SPRINGSETS AND JACKS AS SEEN FROM BELOW BASE.

