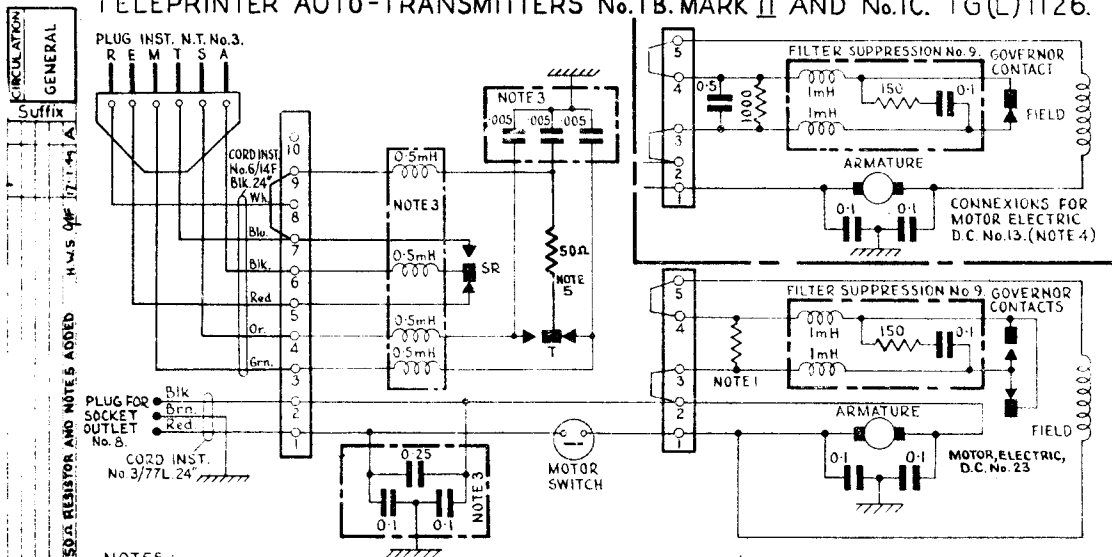


# TELEPRINTER AUTO-TRANSMITTERS No. I B. MARK II AND No. IC. TG(L) 1126.



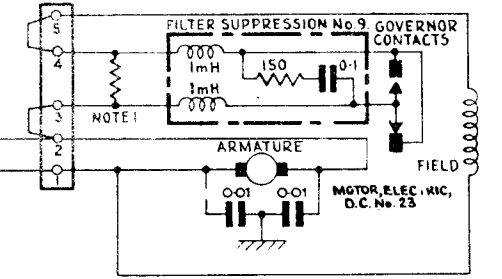
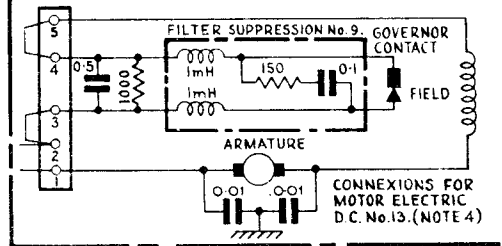
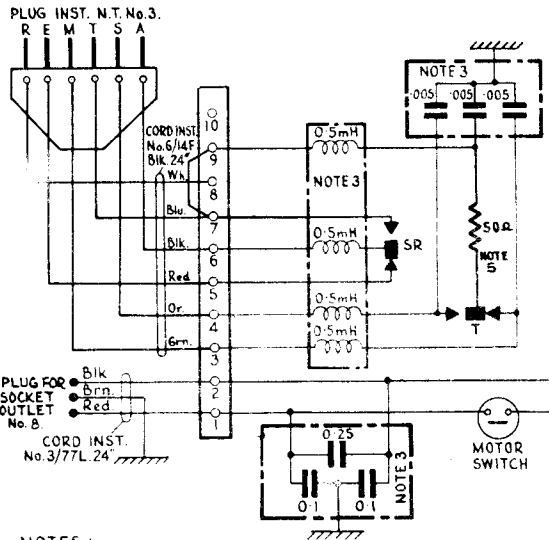
## NOTES :-

1. THIS RESISTOR IS 1000 Ω FOR 100 - 110V. D.C. OR 3000Ω FOR 200-220V. AND 230 - 250V. D.C.
2. IN SOME MACHINES THE TRIPLE CONDENSER SHOWN CONNECTED TO TERMINALS 1 & 2 OF THE 10 WAY BLOCK IS CONNECTED TO TERMINALS 1 & 2 OF THE 5 WAY BLOCK.
3. THESE RADIO INTERFERENCE SUPPRESSION UNITS ARE N.R.B. ITEMS.
4. MOTOR ELECTRIC D.C.13 SHOULD NOT BE USED WITHOUT SPECIAL AUTHORITY FROM THE E-IN-C (T.O. BRANCH)
5. RESISTOR SPOOL, No.6. 50Ω MARK II

CIRCULATION GENERAL  
 Suffix  
 H.W.S. 9/17.1.41  
 50Ω RESISTOR AND NOTE 5 ADDED  
 Amend  
 W

# TRANSMITTER AUTOMATIC No. 1B. MARK II AND No. 1C. TG(L) 1126.

CIRCULATION  
 GENERAL  
 Suffix  
 B  
 A  
 TITLE AMENDED, NOTE AMENDED, MOTOR ARMATURE CAPACITORS WERE 0.1 uF. 50 Ω RESISTOR AND NOTE 5 ADDED.  
 Amendt  
 PAPER  
 W



**NOTES :-**

1. THIS RESISTOR IS 1000 Ω FOR 100 - 110V. AND 150-170V. D.C. OR 3000Ω FOR 200-220V AND 230-250V. D.C.
2. IN SOME MACHINES THE TRIPLE CONDENSER SHOWN CONNECTED TO TERMINALS 1 & 2 OF THE 10 WAY BLOCK IS CONNECTED TO TERMINALS 1 & 2 OF THE 5 WAY BLOCK.
3. THESE RADIO INTERFERENCE SUPPRESSION UNITS ARE N.R.B. ITEMS.

MOTOR ELECTRIC D.C. 13 SHOULD NOT BE USED WITHOUT SPECIAL AUTHORITY FROM THE E-IN-C (Tg. BRANCH).

**5. RESISTOR SPOOL, No. 6. 50Ω MARK II**

# TRANSMITTER AUTOMATIC

## No. I B. MARK II AND No. IC.

TG(L) 1126.

PAGE 1-2  
ISSUE C

### NOTES :-

1. THIS RESISTOR IS 1000  $\Omega$  FOR 100-110V. AND 150-170V D.C.  
OR 3000 $\Omega$  FOR 200-220V AND 230-250V. D.C.
2. IN SOME MACHINES THE TRIPLE CONDENSER SHOWN  
CONNECTED TO TERMINALS 1 & 2 OF THE 10 WAY BLOCK  
IS CONNECTED TO TERMINALS 1 & 2 OF THE 5 WAY BLOCK.
3. THESE RADIO INTERFERENCE SUPPRESSION-UNITS  
ARE N.R.B. ITEMS.
4. MOTOR ELECTRIC D.C.13 SHOULD NOT BE USED WITHOUT  
SPECIAL AUTHORITY FROM THE E-IN-C (Tg. BRANCH)
5. RESISTOR SPOOL, No. 6 50  $\Omega$  MARK II

P.O.E.D.  
S. B.CH.

PAPER :- W  
CIRCULATION :-  
GENERAL

ISSUE			
C	NEW FORMAT		31-1-67
B	TITLE AMENDED, NOTE 1 AMENDED, MOTOR ARMATURE CAPACITORS WERE 0.1 $\mu$ f J.C.F. L.F.R.		29-10-66
A	50 $\Omega$ RESISTOR AND NOTE 5 ADDED J.C.F. H.W.S		17-1-66
	H.W.S		19-12-66

