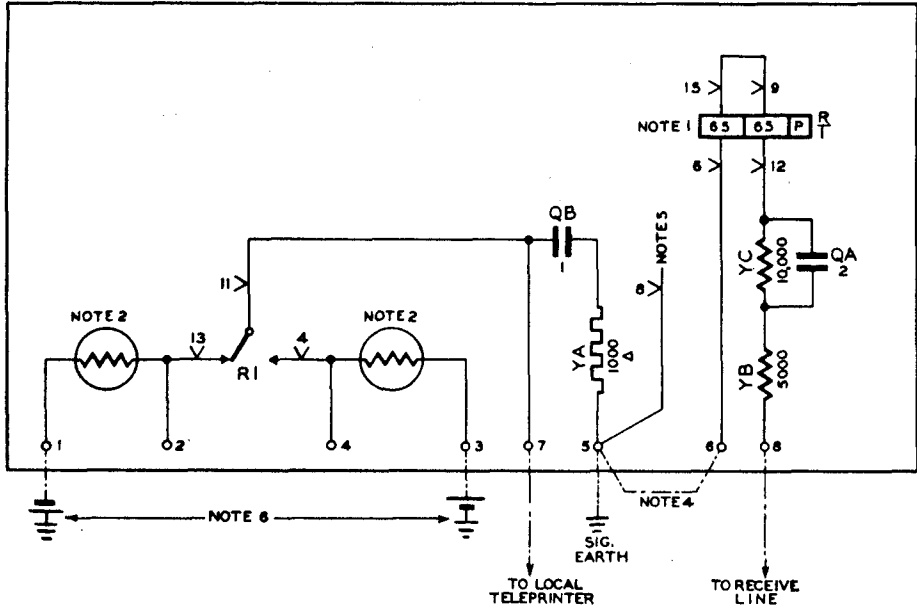


CIRCULATION	GENERAL
	Suffix
	Amend.
	PAPER W

UNIT TERMINATING TG 1122

SCHEMATIC AND WIRING

TG(L)1122
2 PANELS-1
7-5-48



NOTES

1. RELAY CARPENTER TYPE 4B7.
2. BULB RESISTOR N°11, 100 Ω .
3. Δ INDICATES RESISTOR CARBON 1W, 1000 Ω 10%. ALL OTHER RESISTORS TO BE RESISTORS COIL N°12..... Ω
4. THE TYPICAL EXTERNAL CONNEXIONS SHOWN ARE FOR TWO-WIRE SIMPLEX WORKING. FOR TWO-LOOP SIMPLEX WORKING THE STRAP BETWEEN TERMINALS 5 & 6 SHOULD BE REMOVED & TERMINALS 6 & 8 CONNECTED TO THE RECEIVE PAIR.
5. U- POINT 8 IS CONNECTED TO THE COVER OF THE CARPENTER RELAY.
6. THE 80+80V SUPPLY WILL BE OBTAINED EITHER FROM A RECTIFIER N°60A OR 26B OR FROM A BATTERY. WHERE BULBS RESISTOR N°11, 100 Ω ARE INCLUDED IN THE RECTIFIER, THOSE IN THE UNIT WILL NOT BE USED & TERMINALS 2 & 4 SHOULD BE USED IN PLACE OF 1 & 3.