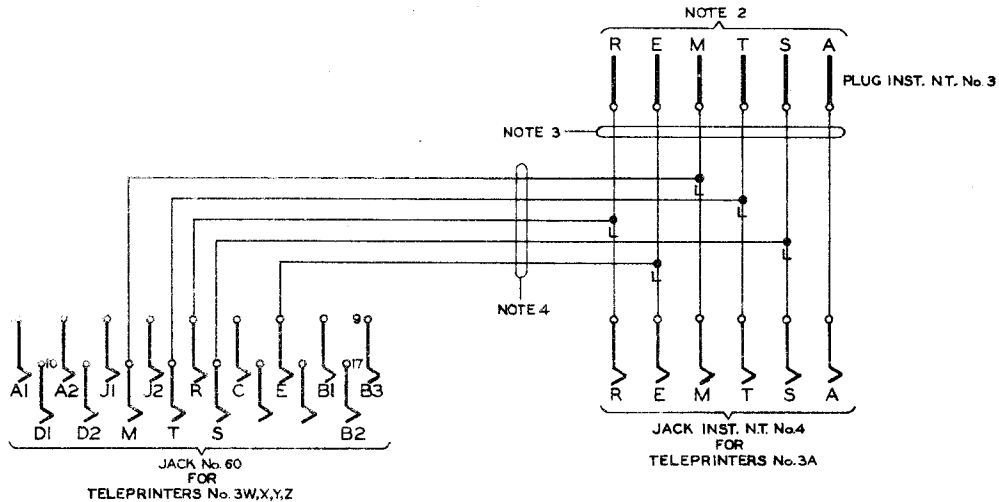


# TESTERS TG956 AND TG 957

AUXILIARY JACKS FOR USE WHEN TESTING TELEPRINTERS No.3 W,X,Y,&Z

TG(L) 1121  
6.2.48

CIRCULATION	GENERAL
	Suffix
Amend	
	W



### NOTES :-

1. JACK No. 60 AND JACK INST. N.T. No. 4 TO BE FIXED IN A CONVENIENT POSITION NEAR THE TESTER.
2. THIS PLUG TO BE INSERTED INTO JACK No. 44 ON THE TESTER.
3. CORDAGE INSTRUMENT No. 6/F BLACK.
4. FOR THESE CONNEXIONS USE WIRE SWITCHBOARD DS AND S.C.C 1WIRE/9 $\frac{1}{4}$ .