

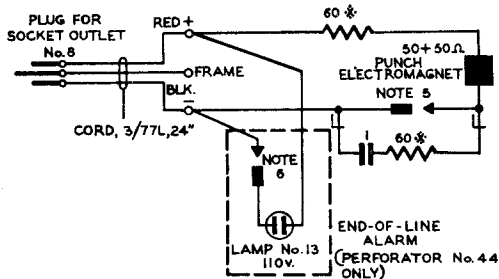
CIRCULATION	GENERAL
	Suffix
Amend.	25915 A
	Superseding Dgm was shown as TG(L) 1110/1
PAPER	W

# PERFORATOR No.44 MARK I. AND PERFORATOR No.43. TG(L)1110/0

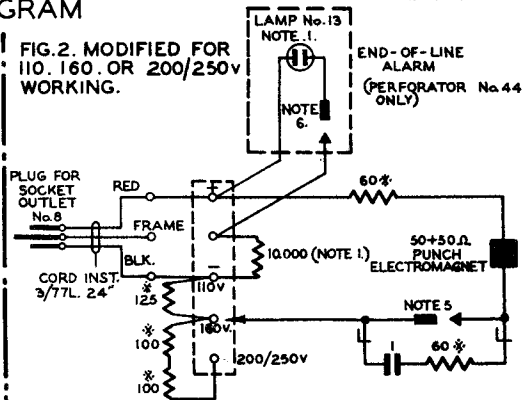
## WIRING DIAGRAM

25-7-45.

**FIG.1. 110 v. WORKING.**



**FIG.2. MODIFIED FOR 110. 160. OR 200/250v WORKING.**



**NOTES:-**

1. RESISTOR, CARBON, 1W.  $\pm 10\%$   
 FOR 110V WORKING USE LAMP No.13, 110V AND STRAP OUT 10,000 OHMS RESISTOR.  
 " 160V " " " " " " " IN SERIES WITH " " "  
 " 200/250V. " " " " " 220V. AND STRAP OUT " " "
2. \* DENOTES RESISTOR COIL No.27
3. FOR MODIFICATIONS REQUIRED TO CONVERT FROM 110v. WORKING TO 110.160. OR 200/250v. WORKING. SEE DGM. TG 1727.
4. PERFORATOR No.44 (MK. I) SUPERSEDED FOR NEW WORK BY PERFORATOR No.44 (MK II) DGM. TG(L) 1110/1
5. CONTACTS ARE CLOSED DURING DEPRESSION OF ANY KEY.
6. CONTACTS CLOSE AFTER ANY 55 CONSECUTIVE KEY-OPERATIONS EXCLUDING "CARRIAGE RETURN"  
 CONTACTS OPEN ON OPERATION OF "CARRIAGE RETURN" KEY

CIRCULATION	GENERAL
	Suffix
PAPER	15748 C
	15748 B
	15748 A
	15945 A
Amend.	10,000 OHMS RES. NOTE ON FIG 2 AMENDED.
	NOTE 1 WAS "RESISTOR CARBON 1W"
	Superseding Dgm. W.D. shown as TG 1110/0
	W

# PERFORATOR No.44 MARK I. AND PERFORATOR No.43. TG(L)1110/0

25-7-45.

## WIRING DIAGRAM

FIG.1. 110 v. WORKING.

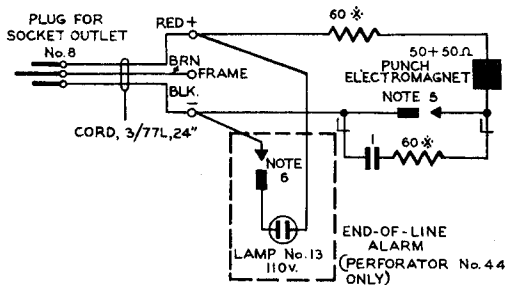
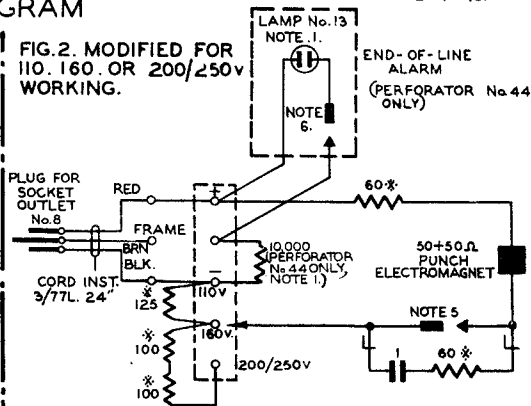


FIG.2. MODIFIED FOR 110. 160. OR 200/250v WORKING.



NOTES:-

- RESISTOR COIL No. 12, 10,000 ohms.  
FOR 110v. WORKING USE LAMP No.13 110v. AND STRAP OUT 10,000 OHMS RESISTOR.  
" 160v " " " " " " IN SERIES WITH " " "  
" 200/250v. " " " " 220v. AND STRAP OUT " " "
- \* DENOTES RESISTOR COIL No.27
- FOR MODIFICATIONS REQUIRED TO CONVERT FROM 110v. WORKING TO 110.160. OR 200/250v. WORKING. SEE DGM. TG 1727.
- PERFORATOR No.44 (MK. I) SUPERSEDED FOR NEW WORK BY PERFORATOR No.44(MK II) DGM. TG(L) 1110/1
- CONTACTS ARE CLOSED DURING DEPRESSION OF ANY KEY.
- CONTACTS CLOSE AFTER ANY 55 CONSECUTIVE KEY-OPERATIONS EXCLUDING "CARRIAGE RETURN" CONTACTS OPEN ON OPERATION OF "CARRIAGE RETURN" KEY