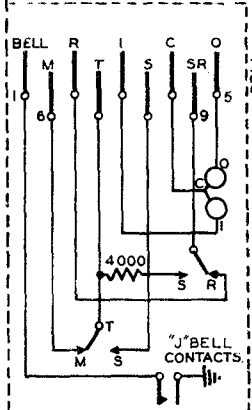
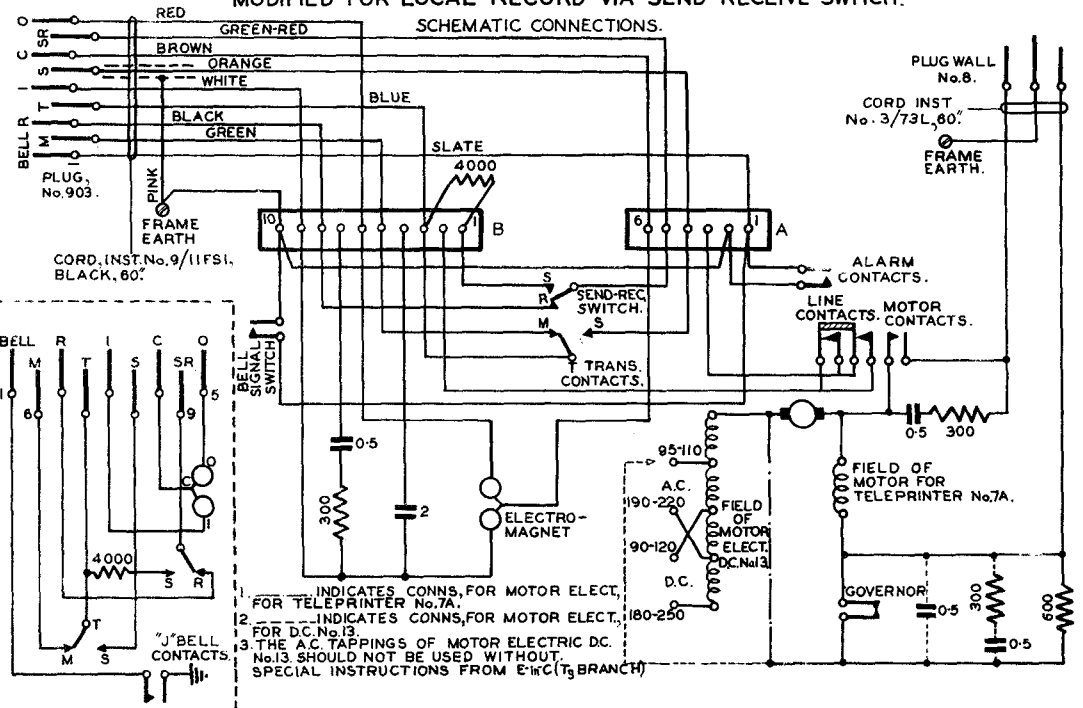


CIRCULATION

TELEPRINTER No. 7...

MODIFIED FOR LOCAL RECORD VIA SEND RECEIVE SWITCH.

TG(L)1101



TELEPRINTER N° 7A & B..... AND PRINTING REPERFORATOR N° 1 & 2. TG(L)1101
 STANDARD CONNEXIONS & MODIFICATIONS FOR LOCAL RECORD VIA SEND-RECEIVE SWITCH 7 PANELS - 1

22-8-39
 SUPERSEDES DGMS.
 TG(L)779 & 780

PROGRAM TO INCORPORATE TG(L) 779 & 780 INTO THE SUPPLEMENTARY
 FACILITY TO INCLUDE PRINTING REPERFORATORS, FIG. 13 & 15, NOTES 10,
 11, 12, ADDED, AD CONTACTS WERE WEDU, WMM, Z, Z.A.

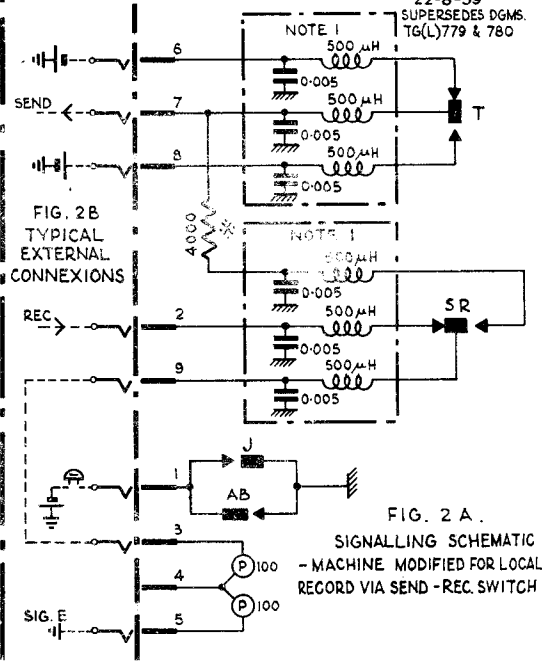
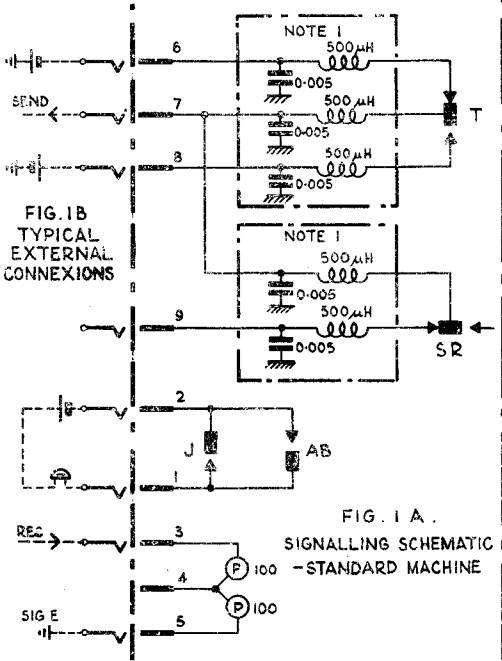
GENERAL

57-649

10-7-52

Amndt

W



TG(L) 1101

7 PANELS - 2

FIG. 3. SHUNT - WOUND MOTOR SCHEMATIC (TELEPRINTER N° 7A ONLY)

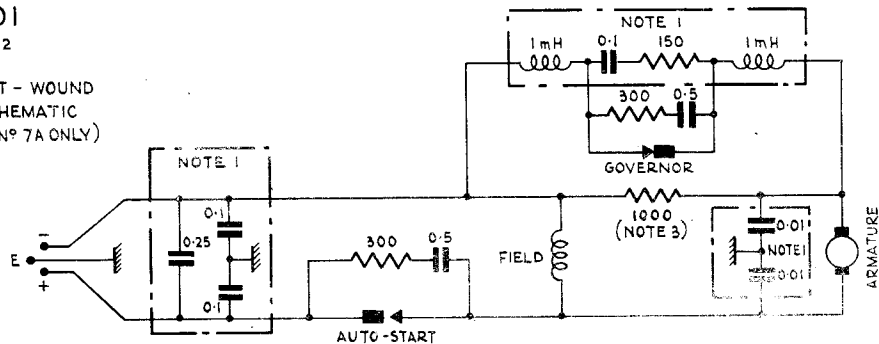
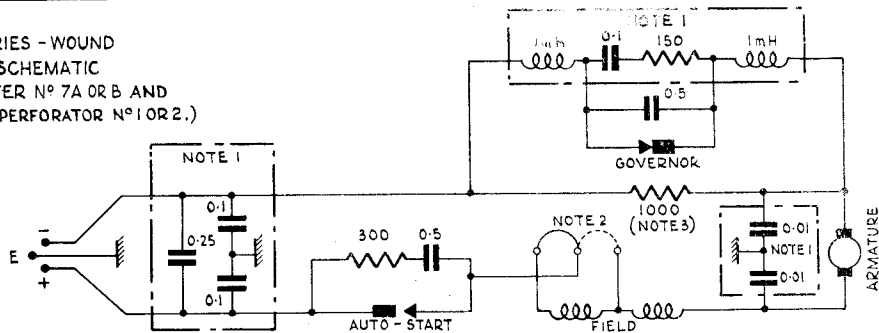


FIG. 4. SERIES - WOUND MOTOR SCHEMATIC (TELEPRINTER N° 7A OR B AND PRINTING REPERFORATOR N° 1 OR 2.)



TELEPRINTER N° 7A & B
AND
PRINTING REPERFORATOR N° 1 & 2.

STANDARD CONNEXIONS & MODIFICATIONS FOR LOCAL
RECORD WORKING VIA SEND-RECEIVE SWITCH

TG (L) 1101
7 PANELS - 3

PAPER W
 SEE PANELS 1 & 2
 SEE PANELS 3 & 4
 2.5 H.V.S.
 1.2 G.W.L.F.R.
 Amendt

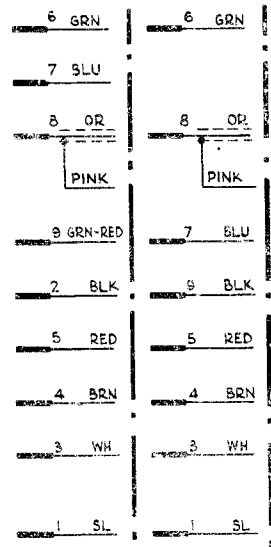


FIG. 5A. PLUG N° 903. (WIRED FOR LOCAL RECORD VIA SEND-REC. SWITCH)

FIG. 5B. PLUG N° 903. (STANDARD MACHINE.)

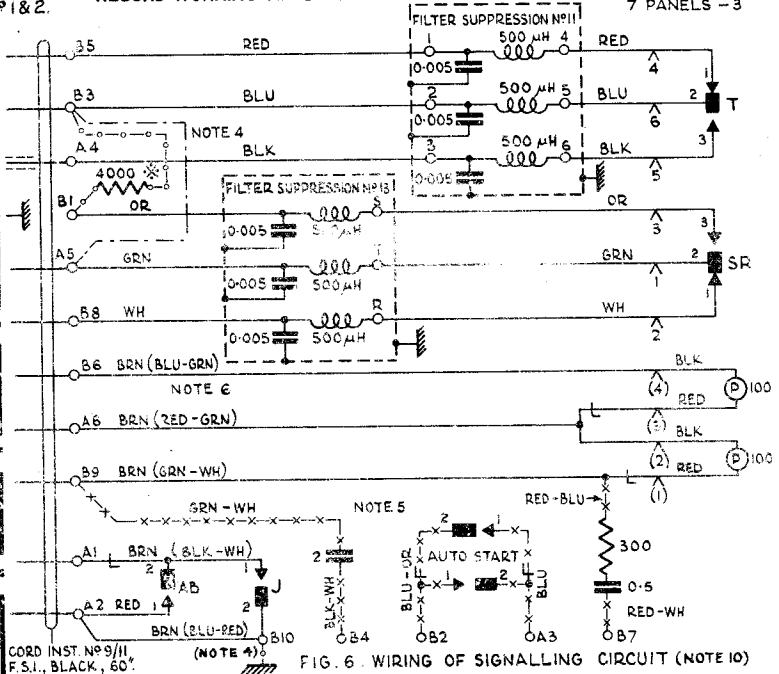


FIG. 6. WIRING OF SIGNALLING CIRCUIT (NOTE 10)

CORD INST. N° 9/11, F.S.I., BLACK, 60".

TG(L) 1101

7 PANELS - 4

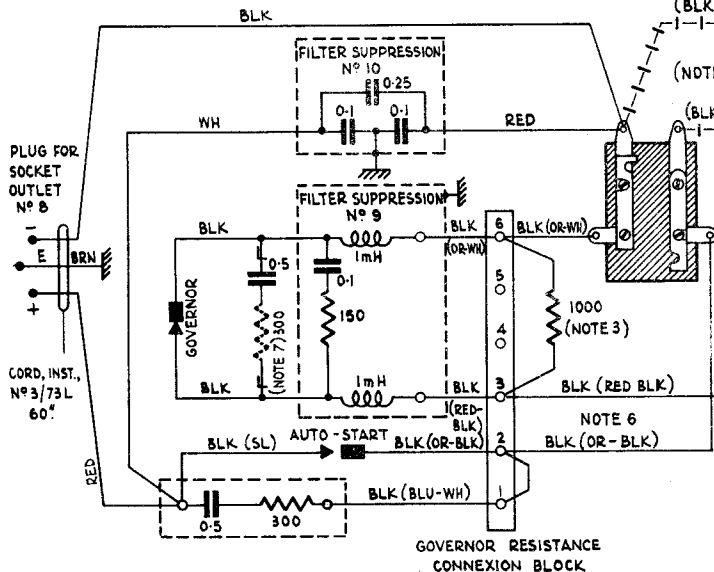


FIG. 7. WIRING OF MOTOR CIRCUIT

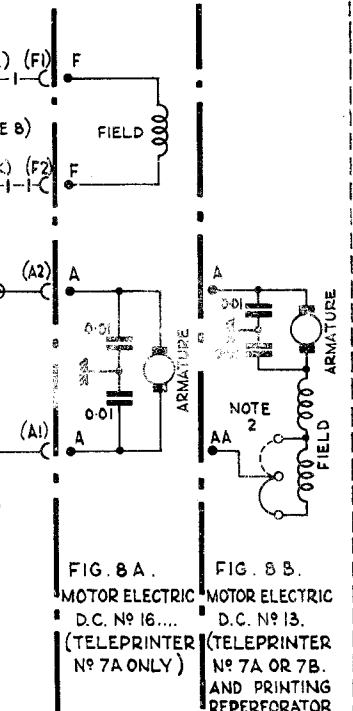


FIG. 8 A. MOTOR ELECTRIC D.C. N° 16.... (TELEPRINTER N° 7A ONLY)

FIG. 8 B. MOTOR ELECTRIC D.C. N° 13. (TELEPRINTER N° 7A OR 7B. AND PRINTING REPERFORATOR N° 1 OR 2.)

TG(L)1101

7 PANELS - 6

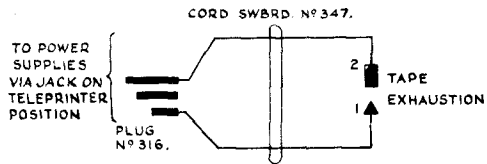


FIG.12. TAPE EXHAUSTION ALARM - FITTED ONLY TO PRINTING REPERFORATOR N° 1 & 2. (NOTE 12)

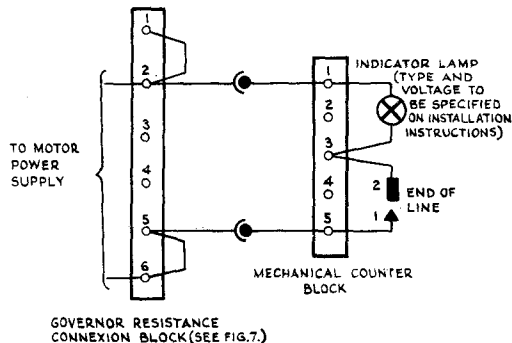


FIG.13. MECHANICAL COUNTER - FITTED ONLY TO PRINTING REPERFORATOR N° 1.

TELEPRINTER N°7A&BAND PRINTING REPERFORATOR N°1&2 TG (L)1101
STANDARD CONNEXIONS & MODIFICATIONS FOR LOCAL RECORD VIA SEND-RECEIVE SWITCH 7 PANELS-7

GENERAL

NOTES

1. THESE COMPONENTS ARE FOR RADIO INTERFERENCE SUPPRESSION ONLY.
2. ALTERNATIVE VOLTAGE LINK - SEE MARKINGS ON MOTOR.
3. 600 Ω ON MACHINES MANUFACTURED BEFORE AUGUST 1937.
4. — — — — INDICATES CONNEXIONS IN STANDARD MACHINE REPLACED BY WIRING SHOWN
 THUS — o — o — FOR LOCAL RECORD WORKING VIA SEND - RECEIVE SWITCH .
 X DENOTES RESISTOR COIL N°12 .
5. — x — x INDICATES WIRING OMITTED ON MACHINES MANUFACTURED SINCE DECEMBER 1943
 (ASSOCIATED COMPONENTS ARE " " " " " " JULY 1941).
6. COLOURS IN BRACKETS REFER TO TEXTILE DOUBLE - COLOURS USED BEFORE DECEMBER 1943:
 WITH P.V.C. INSULATION , THESE ARE REPLACED BY BROWN IN THE SIGNALLING CIRCUIT &
 BLACK IN THE MOTOR CIRCUIT AS ILLUSTRATED .
7. 300 Ω RESISTIVE SPARK QUENCH TO BE USED ONLY ON TELEPRINTER N°7A FITTED WITH
 MOTOR ELECTRIC N°16 : IN ASSOCIATION WITH MOTORS ELECTRIC N°13 , THIS SPARK
 QUENCH CONSISTS OF A 0.5 μ F CONDENSER ONLY.
8. — | — | — DENOTES WIRING PROVIDED ONLY ON TELEPRINTERS N°7A .
9. STRAP TO BE INSERTED ONLY ON OPERATORS' TELEPRINTERS ASSOCIATED WITH
 SWITCHBOARDS TELEPRINTER N°8 & 9 .
10. IN THE CASE OF THE PRINTING REPERFORATOR N°2 THE WIRING OF THE TRANSMITTING CONTACTS AND THE
 SEND/RECEIVE SWITCH IS OMITTED.
11. THE MECHANICAL COUNTER BLOCK IS FITTED ON THE PRINTING REPERFORATOR N°1. ONLY.
12. THE CORD SWITCHBOARD N°347 AND PLUG N°316 TO BE PROVIDED LOCALLY.

29.6.49 A
10.7.50 B

1 & 2 H.W.S
1 & 2 L.P.R
E.B
C.M.S.

SEE PANELS 1 & 2
SEE PANELS 1 & 2

SEE PANELS 1 & 2

PAPER
W