

TELEPRINTER No.7.... & PRINTING REPERFORATORS No.1 & 2. TG (L) 1101/1

6 PANELS-1
2B. 10. 53.

CIRCUIT ACTION	GENERAL
	Suffix
PAPER	Amend.
	W

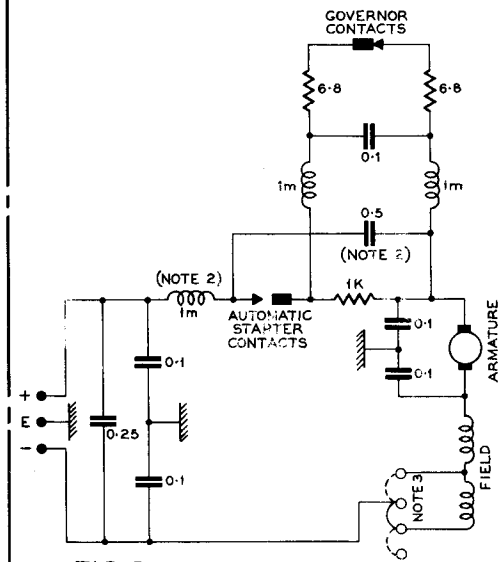
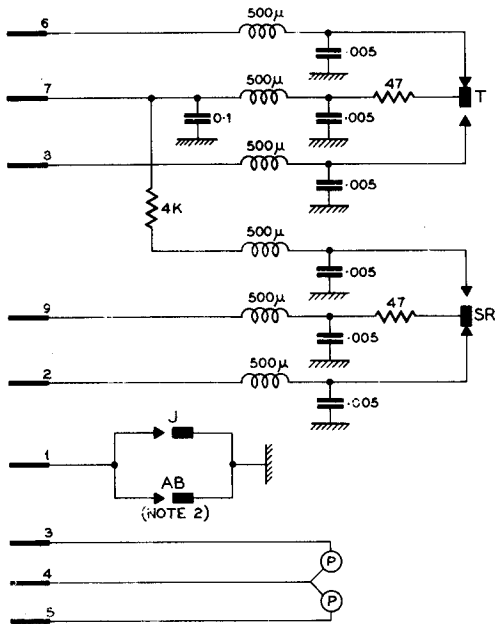


FIG 1. SIGNALLING SCHEMATIC.

FIG 2. MOTOR SCHEMATIC

TG (L) 1101/1
6 PANELS - 2

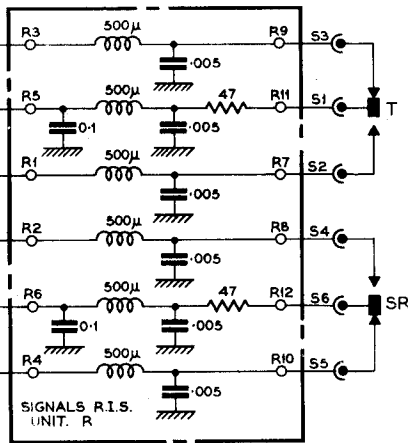
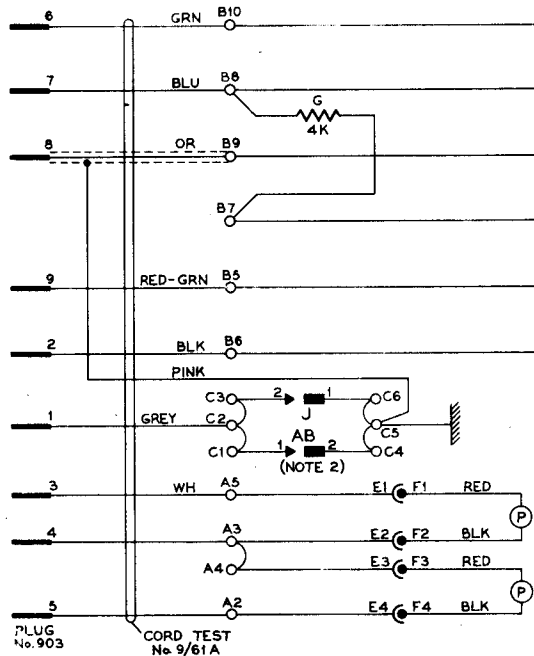


FIG. 3. WIRING OF SIGNALLING CIRCUIT

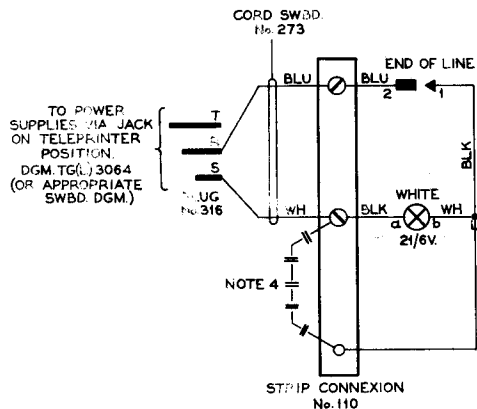


FIG. 5. END OF LINE ALARM - FITTED ONLY ON TELEPRINTERS No. 7... TAPE

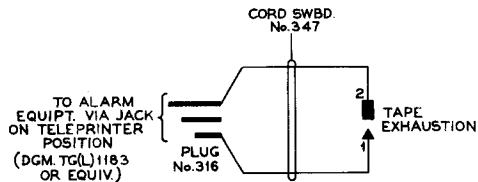


FIG. 6. TAPE EXHAUSTION ALARM - FITTED ONLY ON PRINTING REPERFORATOR No. 1 & 2. (NOTE 6)

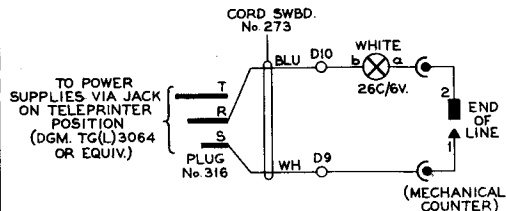


FIG. 7. END OF LINE INDICATOR - FITTED ONLY ON PRINTING REPERFORATOR No. 1 (NOTE 6)

TG(L) 1101/1

6 PANELS-6

KEY TO FIG.8					
A,B,C,D	TERMINAL BLOCKS	K (NOTE 2)	CAPACITOR	T	MOTOR FIELD STRAPPING BLOCK
AB(NOTE 2)	ANSWER-BACK ALARM SWITCH	L (NOTE 2)	INDUCTOR	U	MOTOR ELECTRIC D.C. No.13
E	ELECTRO-MAGNET CONNEXION BLOCK	M	R.I.S. CAPACITOR	V	MOTOR CONNEXION BLOCK
F	ELECTRO-MAGNET CONTACTS	N	GOVERNOR R.I.S. UNIT	W	MOTOR PLUG PINS
G	LOCAL RECORD RESISTOR	P	GOVERNOR BRUSH BLOCK	Z	AUTOMATIC STARTER CONTACTS
H	GOVERNOR RESISTOR	R	SIGNALS R.I.S. UNIT		
J	BELL SIGNAL SWITCH	S	KEYBOARD CONTACTS		

NOTES:-

1. THIS DIAGRAM APPLIES ONLY TO MACHINES WITH BUILT IN (CREED TYPE) RADIO INTERFERENCE SUPPRESSORS. FOR OTHER MACHINES, I.e., EITHER WITHOUT SUPPRESSORS OR WITH P.O. TYPE SUPPRESSORS, SEE DGM.TG(L)1101/0.
2. ON TELEPRINTERS No.7B/PKN3, AB CONTACTS ARE OMITTED; ALSO ON SOME MACHINES OF THIS TYPE, INDUCTOR L IS OMITTED (TERMINALS D5 & 6 BEING STRAPPED) AND CAPACITOR K HAS AN INTENTIONAL INHERENT SERIES RESISTANCE OF 330 OHMS
3. ALTERNATIVE VOLTAGE LINK, FOR SETTING SEE MARKINGS ON MOTOR.
4. STRAP TO BE INSERTED ONLY ON OPERATORS TELEPRINTERS ASSOCIATED WITH SWITCHBOARDS TELEPRINTER No.8 & 9.
5. ON PRINTING REPERFORATOR No.2, WIRING OF TRANSMITTING CONTACTS & SEND-RECEIVE SWITCH IS OMITTED.
6. THE CORD SWITCHBOARD No.347 & PLUG No.316 (FIG.6) AND THE CORD SWITCHBOARD No.273, PLUG No.316 & LAMP No.26C/5V. (FIG.7) SHOULD BE PROVIDED LOCALLY.

TITLE AMENDED. NOTES 7&8 ADDED. MINOR AMENDMENTS 19.12.61. A
 GENERAL
 W

TELEPRINTERS No. 7B, 7B/RP & 7B/PKN3 & PRINTING REPERFORATORS No. 1, 1D, 2 & 2D

TG (L) 110/1
 6 PANELS-1
 28. 10. 53.

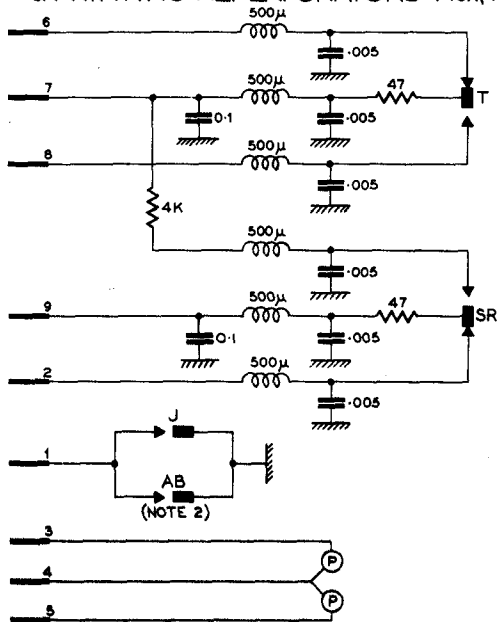


FIG. 1. SIGNALLING SCHEMATIC.

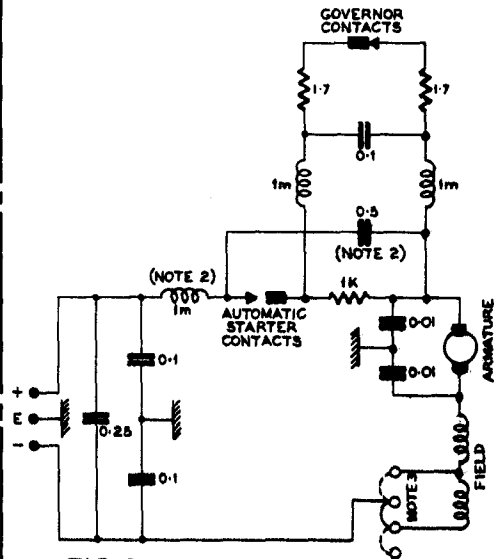


FIG. 2. MOTOR SCHEMATIC.

TG (L) 1101/1
6 PANELS-2

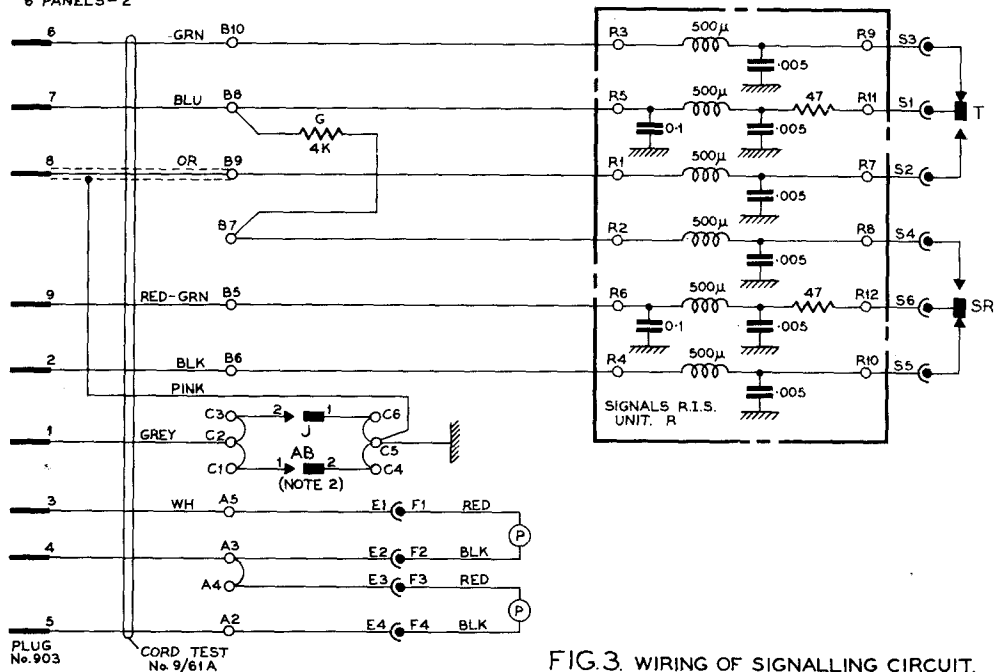


FIG.3. WIRING OF SIGNALLING CIRCUIT.

TELEPRINTERS No. 7B, 7B/RP & 7B/PKN3
& PRINTING REPERFORATORS No. 1, ID, 2 & 2D

TG(L) 1101/1
6 PANELS - 3
28. 10. 53.

GENERAL

18.12.61. A

TITLE AMENDED NOTES 768 ADDED. MINOR AMENDMENTS

W

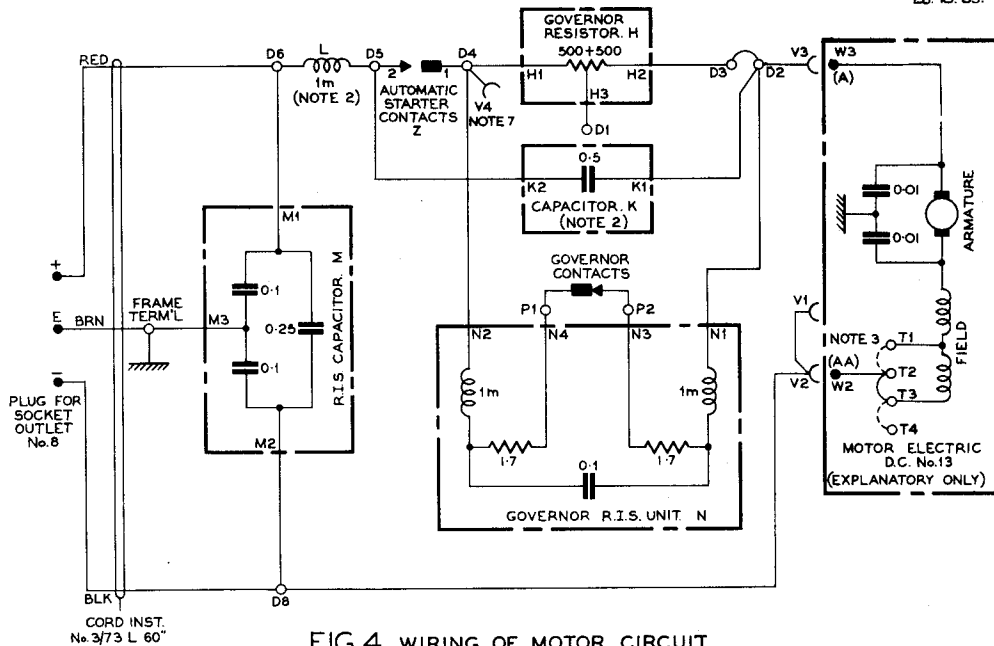


FIG. 4. WIRING OF MOTOR CIRCUIT.

TG(L) 1101/1
6 PANELS-4

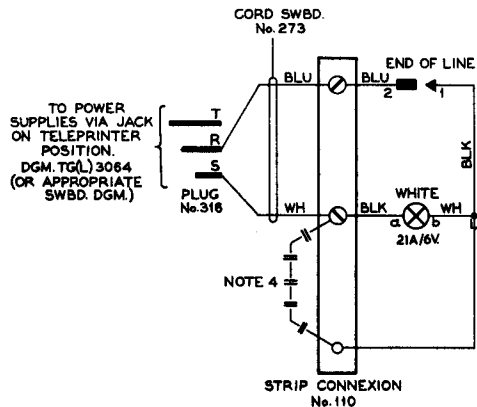


FIG. 5. END OF LINE ALARM - FITTED ONLY ON TELEPRINTERS No. 7B WITH TAPE ATTACHMENT.

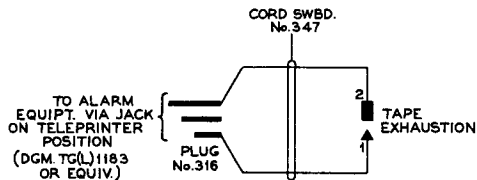


FIG. 6. TAPE EXHAUSTION ALARM - FITTED ONLY ON PRINTING REPERFORATOR No. 1... & 2... (NOTE 6)

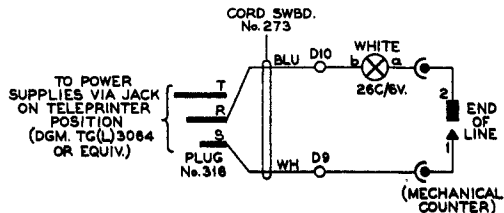


FIG. 7. END OF LINE INDICATOR - FITTED ONLY ON PRINTING REPERFORATOR No. 1... (NOTE 6)

TELEPRINTERS No.7B, 7B/RP & 7B/PKN3
& PRINTING REPERFORATORS No.1,1D,2&2D

TG (L) 1101/1
6 PANELS-5
28. 10. 53.

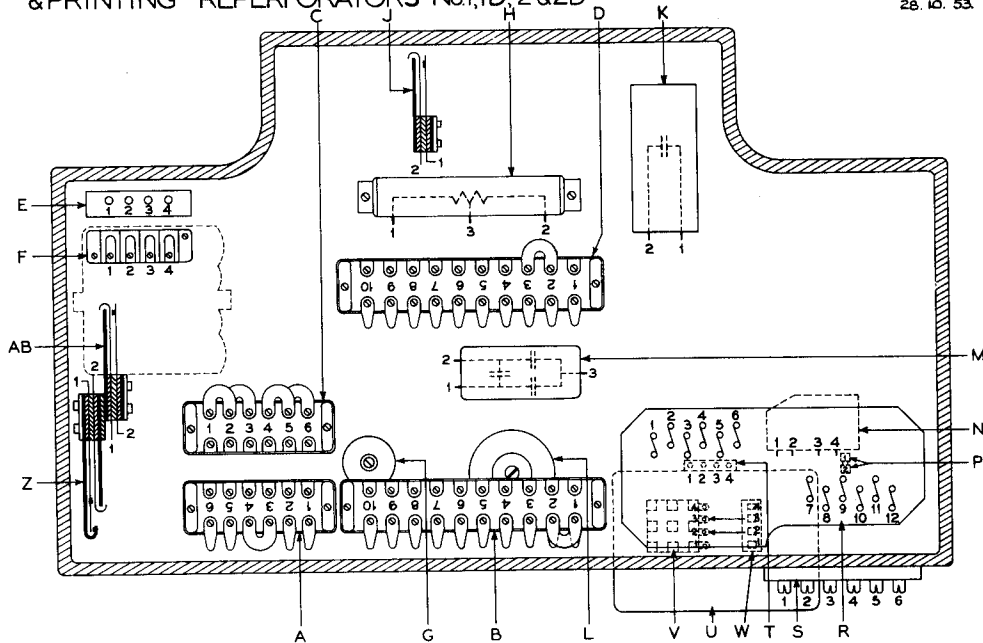


FIG.8. LAYOUT OF COMPONENTS ON UNDERSIDE OF MAIN BASE.

KEY TO FIG.8

A,B,C,D	TERMINAL BLOCKS	K (NOTE 2)	CAPACITOR	T	MOTOR FIELD STRAPPING BLOCK
AB(NOTE 2)	ANSWER-BACK ALARM SWITCH	L (NOTE 2)	INDUCTOR	U	MOTOR ELECTRIC D.C. No.13
E	ELECTRO-MAGNET CONNEXION BLOCK	M	R.I.S. CAPACITOR	V	MOTOR CONNEXION BLOCK
F	ELECTRO-MAGNET CONTACTS	N	GOVERNOR R.I.S. UNIT	W	MOTOR PLUG PINS
G	LOCAL RECORD RESISTOR	P	GOVERNOR BRUSH BLOCK	Z	AUTOMATIC STARTER CONTACTS
H	GOVERNOR RESISTOR	R	SIGNALS R.I.S. UNIT		
J	BELL SIGNAL SWITCH	S	KEYBOARD CONTACTS		

NOTES:-

- THIS DIAGRAM APPLIES ONLY TO MACHINES WITH BUILT IN (GREED TYPE) RADIO INTERFERENCE SUPPRESSORS. FOR OTHER MACHINES, I.e., EITHER WITHOUT SUPPRESSORS OR WITH P.O. TYPE SUPPRESSORS, SEE DGMS. TG(L) 1101/0 AND TG 1259.
- ON TELEPRINTERS No.7B/PKN3 AND 7B/RP, AB CONTACTS ARE OMITTED; ALSO ON SOME MACHINES OF THIS TYPE, INDUCTOR L IS OMITTED (TERMINALS D5 & 6 BEING STRAPPED) AND CAPACITOR K HAS AN INTENTIONAL INHERENT SERIES RESISTANCE OF 330 OHMS.
- ALTERNATIVE VOLTAGE LINK, FOR SETTING SEE MARKINGS ON MOTOR.
- STRAP TO BE INSERTED ONLY ON OPERATORS TELEPRINTERS ASSOCIATED WITH SWITCHBOARDS TELEPRINTER No.8 & 9.
- ON PRINTING REPERFORATOR No.2, WIRING OF TRANSMITTING CONTACTS & SEND-RECEIVE SWITCH IS OMITTED.
- THE CORD SWITCHBOARD No.347 & PLUG No.316 (FIG.6) AND THE CORD SWITCHBOARD No.273, PLUG No.316 & LAMP No.26C/6V. (FIG.7) SHOULD BE PROVIDED LOCALLY.
- ON TELEPRINTERS No.7B/RP THE MOTOR MAY BE EITHER A MOTOR ELECTRIC D.C. No.24B OR A No.27B. WHERE A MOTOR ELECTRIC No.27B IS FITTED THE WIRE BETWEEN TERMINAL 4 ON BLOCK D AND TERMINAL 4 ON THE MOTOR CONNEXION BLOCK V SHOULD BE REMOVED AND THE LINK IN THE MOTOR FIELD WINDING INSERTED IN THE 220VOLT POSITION (SEE NOTE 3)
- ON TELEPRINTERS No.7B/RP TAPE EXHAUSTION CONTACTS ARE PROVIDED THESE ARE NORMALLY SPARE, IF REQUIRED FOR USE THE CONTACTS SHOULD BE WIRED AS SHOWN IN FIG.6 FOR PRINTING REPERFORATOR No.1 AND 2.

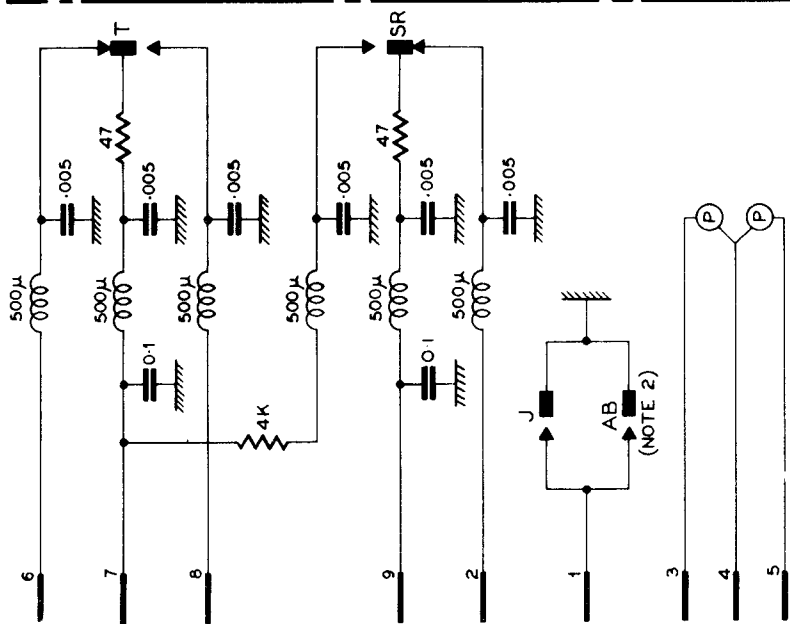


FIG. 1. SIGNALLING SCHEMATIC.

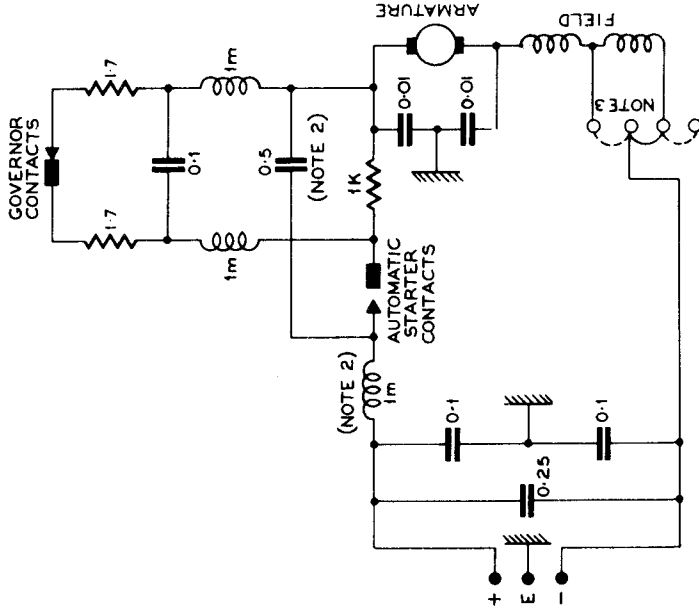


FIG. 2. MOTOR SCHEMATIC.

P.O.E.D.
TG. BCH.
PAPER W
CIRCULATION
GENERAL

ISSUE			
B	NEW FORMAT	<i>f m</i>	11. 2. 66
A	TITLE AMENDED NOTES 7 AND 8 AMENDED MINOR AMENDMENTS		18-12-61
			28-10-53

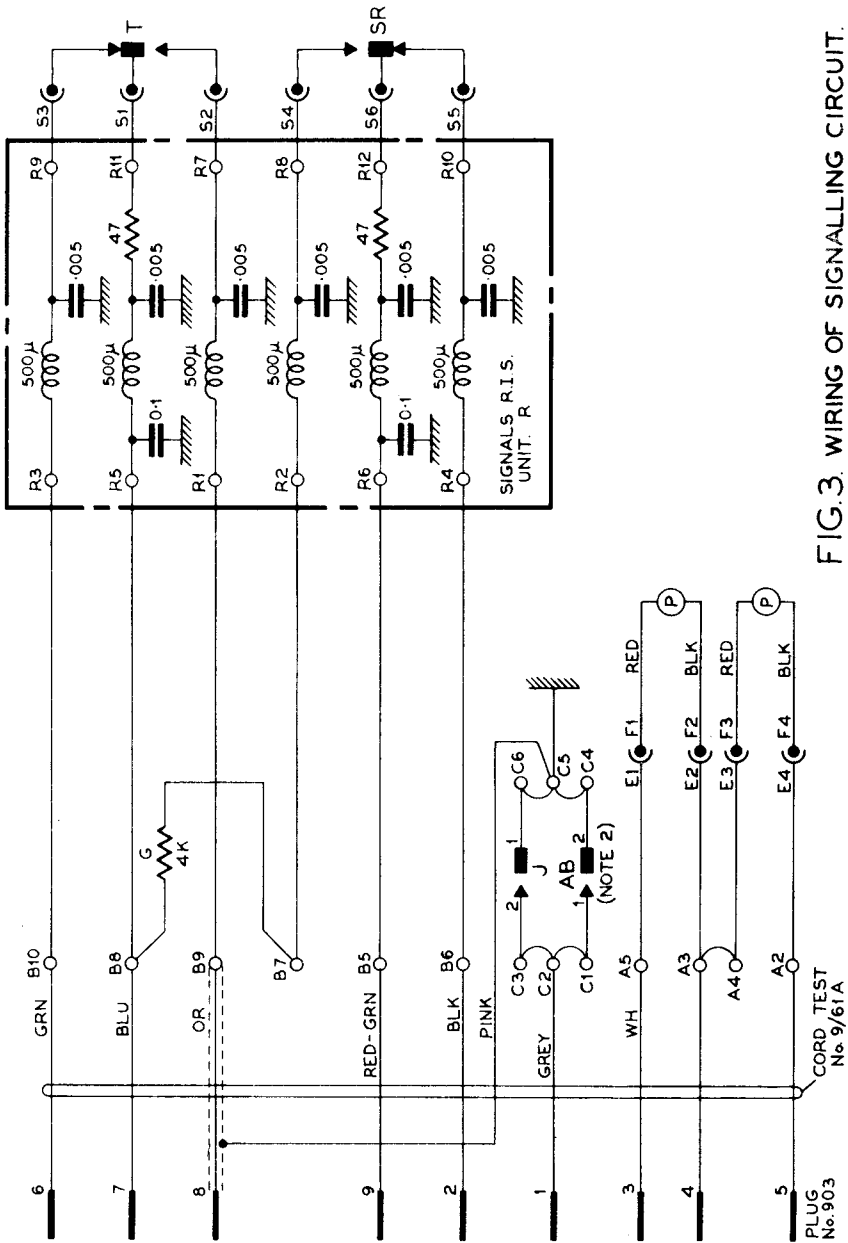


FIG. 3. WIRING OF SIGNALLING CIRCUIT.

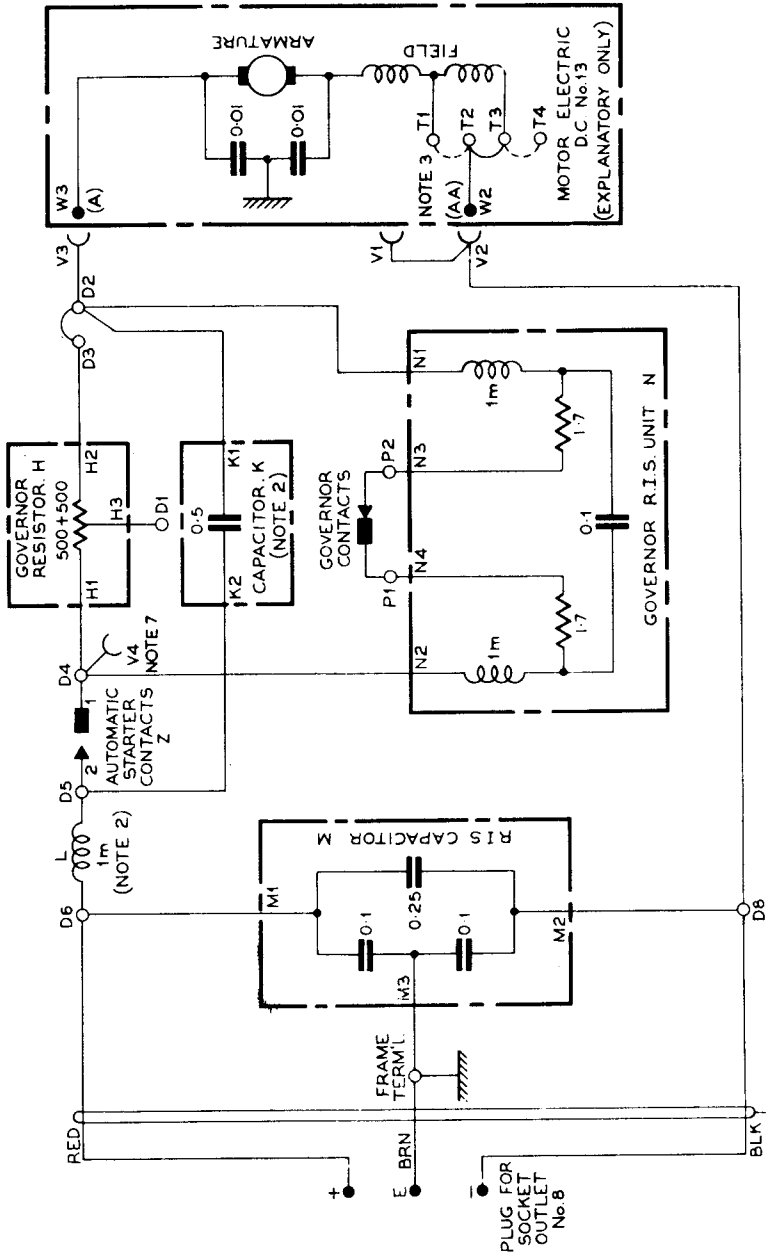


FIG. 4. WIRING OF MOTOR CIRCUIT.

CORD 'NST.
 No 3173 L 60.

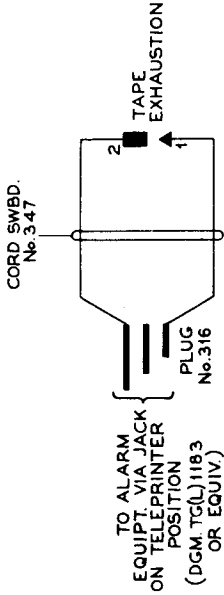


FIG. 6. TAPE EXHAUSTION ALARM - FITTED
ONLY ON PRINTING REPERFORATOR No.1... & 2... (NOTE 6)

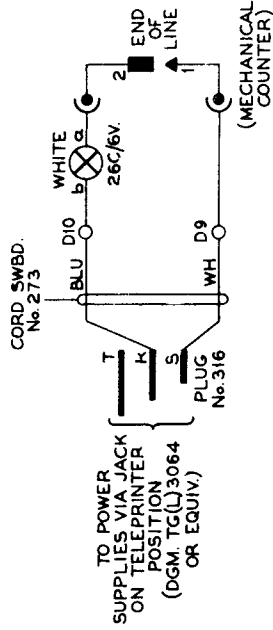


FIG. 7. END OF LINE INDICATOR - FITTED
ONLY ON PRINTING REPERFORATOR No.1... (NOTE 6)

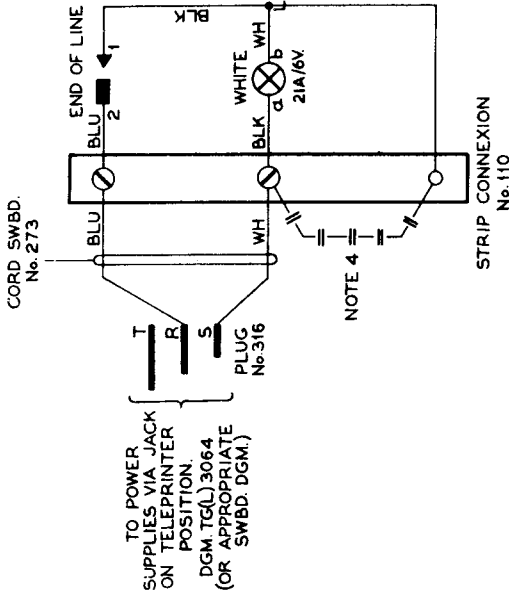


FIG. 5. END OF LINE ALARM - FITTED
ONLY ON TELEPRINTERS No.7B WITH TAPE ATTACHMENT.

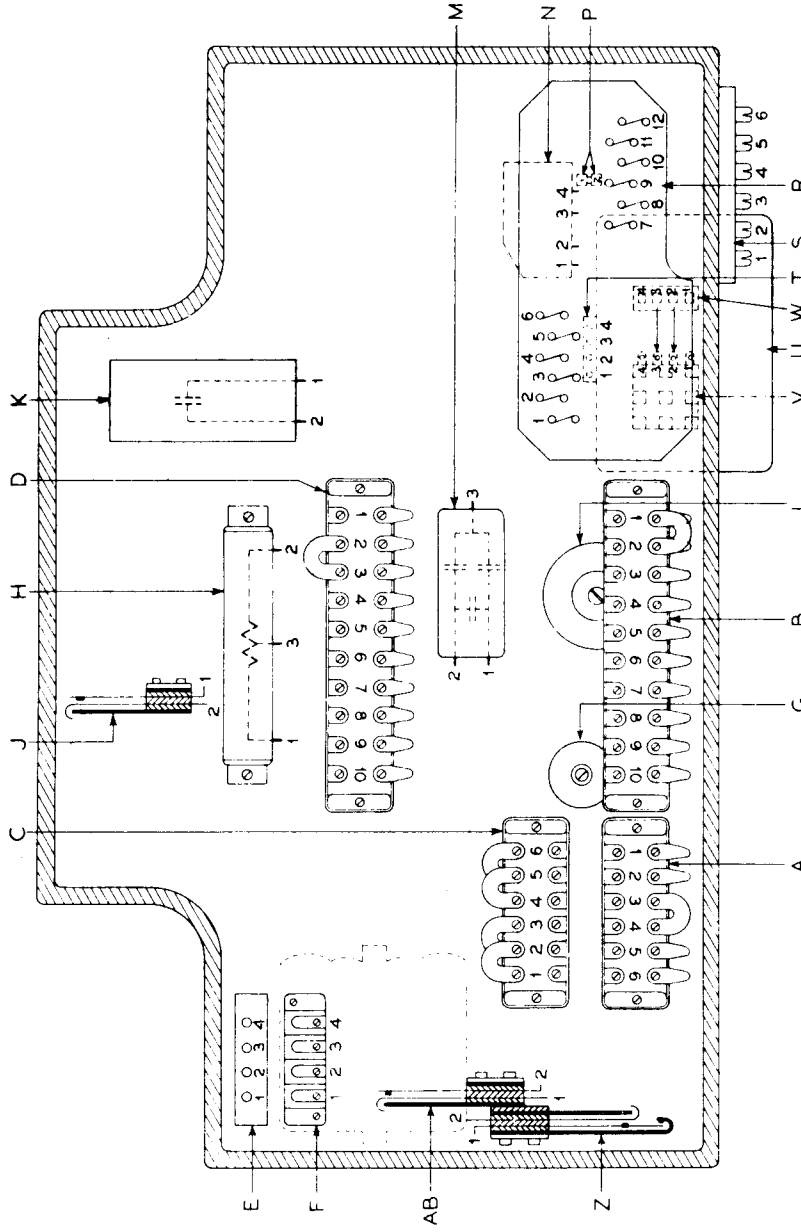


FIG. 8. LAYOUT OF COMPONENTS ON UNDERSIDE OF MAIN BASE.

KEY TO FIG. 8			
A, B, C, D	TERMINAL BLOCKS.	K (NOTE 2)	MOTOR FIELD STRAPPING BLOCK
AB (NOTE 2)	ANSWER - BACK ALARM SWITCH	L (NOTE 2)	MOTOR ELECTRIC D.C. No. 13
E	ELECTRO-MAGNET CONNECTION BLOCK	M	MOTOR CONNECTION BLOCK
F	ELECTRO-MAGNET CONTACTS	N	MOTOR PLUG PINS
G	LOCAL RECORD RESISTOR	P	AUTOMATIC STARTER CONTACTS
H	GOVERNOR RESISTOR	R	
J	BELL SIGNAL SWITCH	S	
		T	
		U	
		V	
		W	
		Z	

NOTES:-

- THIS DIAGRAM APPLIES ONLY TO MACHINES WITH BUILT IN (CREED TYPE) RADIO INTERFERENCE SUPPRESSORS. FOR OTHER MACHINES, I.E. EITHER WITHOUT SUPPRESSORS OR WITH P.O. TYPE SUPPRESSORS, SEE DGMS. TG(L) 1101/O AND TG 1259.
- ON TELEPRINTERS No. 7B/PKN3 AND 7B/RP/AB CONTACTS ARE OMITTED, ALSO ON SOME MACHINES OF THIS TYPE, INDUCTOR L IS OMITTED (TERMINALS D5 & 6 BEING STRAPPED) AND CAPACITOR K HAS AN INTENTIONAL INHERENT SERIES RESISTANCE OF 330 OHMS.
- ALTERNATIVE VOLTAGE LINK. FOR SETTING SEE MARKINGS ON MOTOR.
- STRAP TO BE INSERTED ONLY ON OPERATORS TELEPRINTERS ASSOCIATED WITH SWITCHBOARDS TELEPRINTER No. 8 & 9.
- ON PRINTING REPERFORATOR No. 2, WIRING OF TRANSMITTING CONTACTS & SEND-RECEIVE SWITCH IS OMITTED.
- THE CORD SWITCHBOARD No. 347 & PLUG No. 316 (FIG. 6) AND THE CORD SWITCHBOARD No. 273, PLUG No. 316 & LAMP No. 26C/6v. (FIG. 7) SHOULD BE PROVIDED LOCALLY.
- ON TELEPRINTERS No. 7B/RP THE MOTOR MAY BE EITHER A MOTOR ELECTRIC D.C. No. 24 B OR A No. 27B. WHERE A MOTOR ELECTRIC No. 27B IS FITTED THE WIRE BETWEEN TERMINAL 4 ON BLOCK D AND TERMINAL 4 ON THE MOTOR CONNECTION BLOCK V SHOULD BE REMOVED AND THE LINK IN THE MOTOR FIELD WINDING INSERTED IN THE 220VOLT POSITION (SEE NOTE 3)
- ON TELEPRINTERS No. 7B/RP TAPE EXHAUSTION CONTACTS ARE PROVIDED THESE ARE NORMALLY SPARE, IF REQUIRED FOR USE THE CONTACTS SHOULD BE WIRED AS SHOWN IN FIG. 6 FOR PRINTING REPERFORATOR No. 1 AND 2.