

TELEPRINTER N° 7A & B....
AND PRINTING REPERFORATOR N° 1 & 2
STANDARD CONNEXIONS

TG (L) 110/10
PAGE 1-6
ISSUE D
SUPERSEDES DGI
TG(L) 779 & 780

NOTES:-

1. THESE COMPONENTS ARE FOR RADIO INTERFERENCE SUPPRESSION ONLY, AND ARE OMITTED ON SOME MACHINES
2. ALTERNATIVE VOLTAGE LINK - SEE MARKINGS ON MOTOR.
3. 600Ω ON MACHINES MANUFACTURED BEFORE AUGUST 1937.
4. -X-X- INDICATES WIRING OMITTED ON MACHINES MANUFACTURED SINCE DECEMBER 1943 (ASSOCIATED COMPONENTS ARE OMITTED ON MACHINES MANUFACTURED SINCE JULY 1941)
5. 300Ω RESISTIVE SPARK QUENCH TO BE USED ONLY ON TELEPRINTER N° 7A FITTED WITH MOTOR ELECTRIC N° 18; IN ASSOCIATION WITH MOTORS ELECTRIC N° 13, THIS SPARK QUENCH CONSISTS OF A 0.5μF CONDENSER ONLY.
6. -I-I- DENOTES WIRING PROVIDED ONLY ON TELEPRINTERS N° 7A.
7. STRAP TO BE INSERTED ONLY ON OPERATORS' TELEPRINTERS ASSOCIATED WITH SWITCHBOARDS TELEPRINTER N° 8 & 9.
8. IN THE CASE OF THE PRINTING REPERFORATOR N° 2 THE WIRING OF THE TRANSMITTING CONTACT AND THE SEND/RECEIVE SWITCH IS OMITTED.
9. THE MECHANICAL COUNTER IS FITTED ON THE PRINTING REPERFORATOR N° 1 ONLY.
10. CORDS SWITCHBOARD N° 273 OR 347, PLUG N° 316 AND LAMP N° 26C TO BE PROVIDED LOCALLY AS REQUIRED.
11. THIS DIAGRAM REFERS ONLY TO MACHINES WITHOUT RADIO INTERFERENCE SUPPRESSORS, OR WITH P.O. TYPE SUPPRESSORS FOR MACHINES FITTED WITH BUILT IN (CREED TYPE) SUPPRESSORS, INCLUDING ALL TELEPRINTERS N° 7B/PKN3, SEE DGM. TG (L) 110/11.

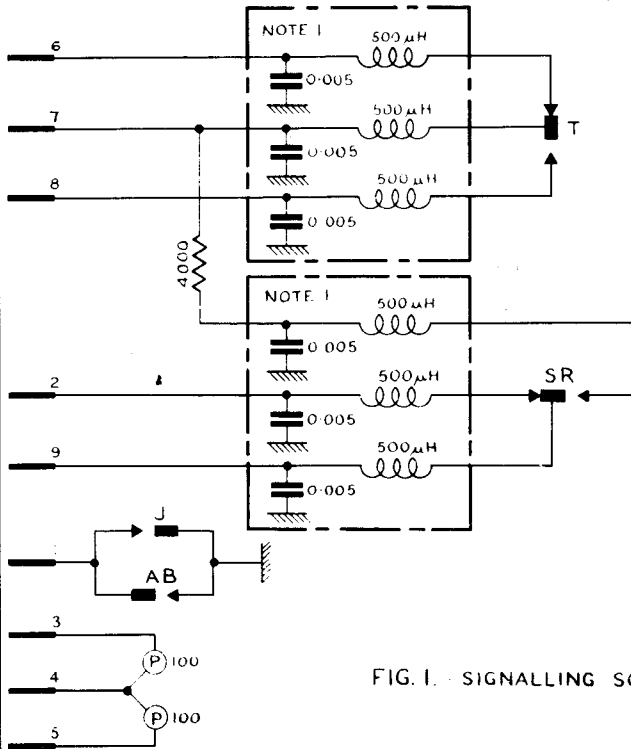


FIG. 1. SIGNALLING SCHEMATIC

P.O.E.D.
T.G. BCH.

PAPER-W
CIRCULATION:-
GENERAL

ISSUES			
D	NEW FORMAT		3-1-47
C	PANELS 13, 4, 6 & 7 REDRAWN. MADE I/O. SUPPRESSION NOTE ADDED. FIGS AMENDED	L. F. R.	17-6-53
	J. A. S.		22-1-55

FIG. 2. SHUNT - WOUND
 MOTOR SCHEMATIC
 (TELEPRINTER N° 7A ONLY)

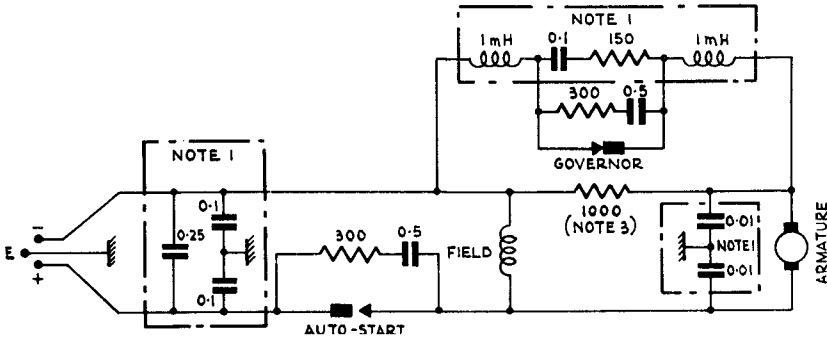
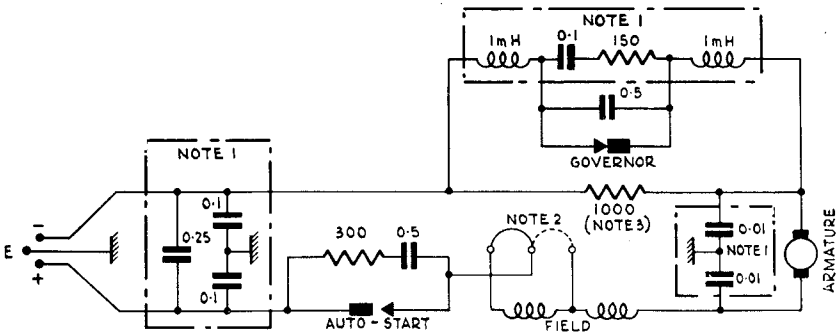


FIG. 3. SERIES - WOUND
 MOTOR SCHEMATIC
 (TELEPRINTER N° 7A OR B AND
 PRINTING REPERFORATOR N° 10R2.)



TELEPRINTER N° 7A & B AND PRINTING REPERFORATOR N° 1 & 2.
 STANDARD CONNEXIONS

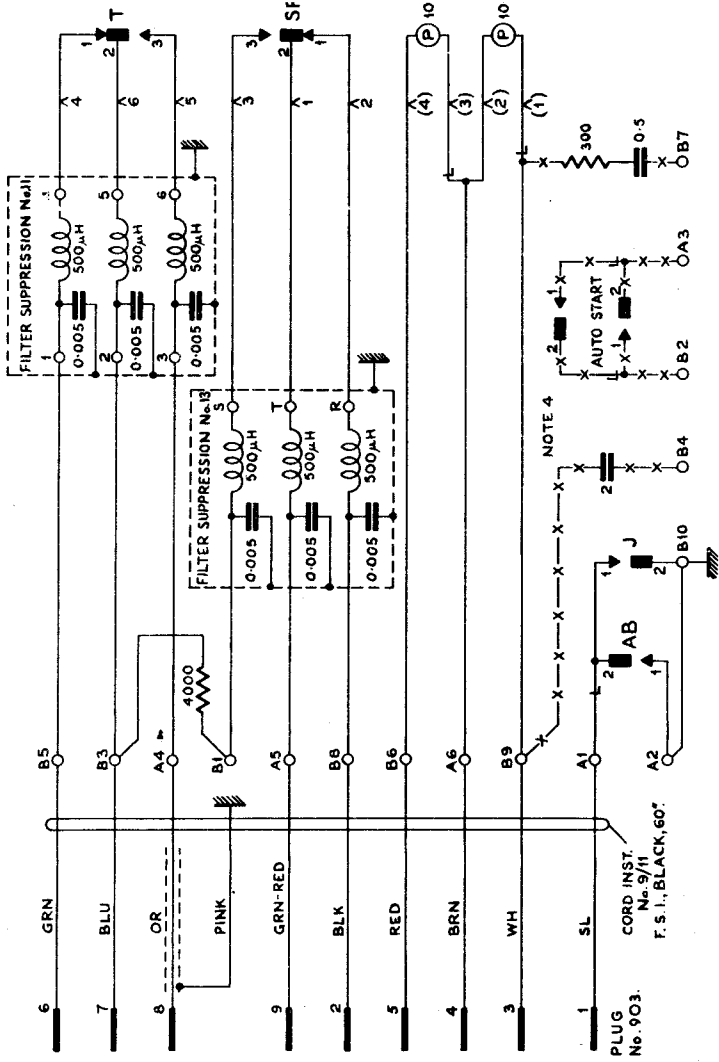


FIG. 4. WIRING OF SIGNALLING CIRCUIT (NOTE 8)

FIG. 5. WIRING OF MOTOR CIRCUIT.

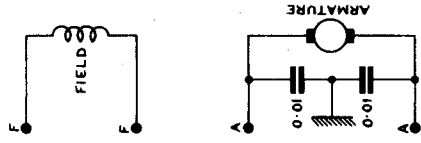
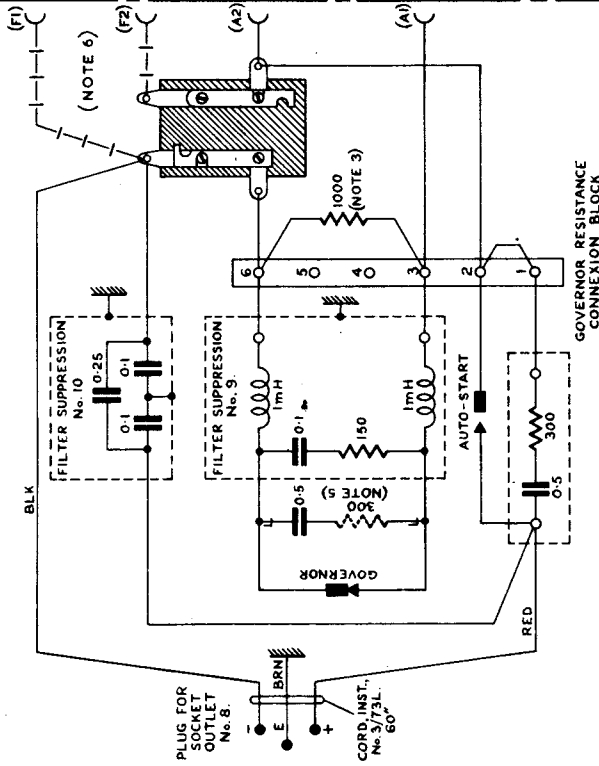


FIG. 6A.
 MOTOR ELECTRIC
 D.C. No. 16
 (TELEPRINTER
 No. 7A ONLY)

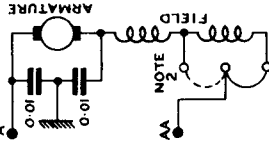


FIG. 6B.
 MOTOR ELECTRIC
 D.C. No. 13
 (TELEPRINTER
 No. 7A OR 7B
 AND PRINTING
 REPEATOR
 No. 1 OR 2.)

FIG. 7. END OF LINE ALARM - FITTED ONLY ON TELEPRINTERS N°7...TAPE

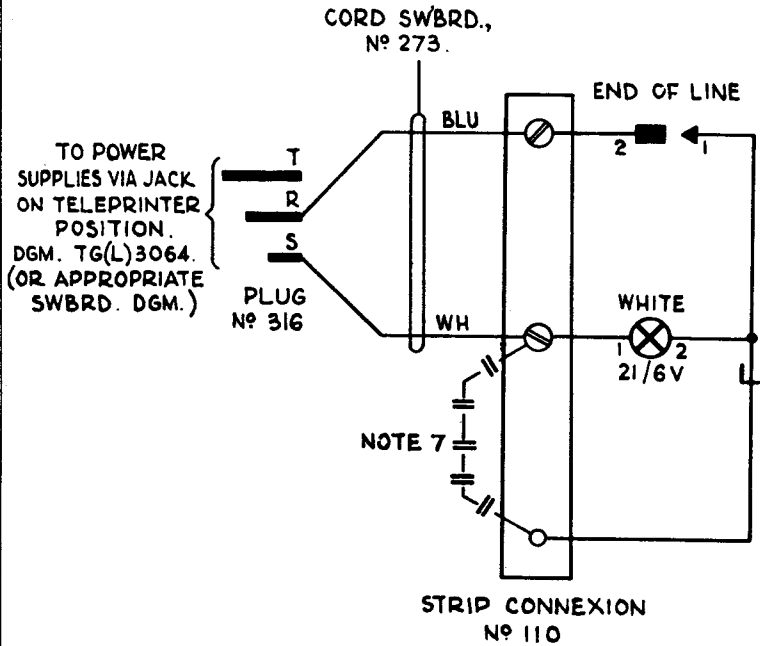


FIG. 8. LAYOUT OF BLOCKS. (UNDERSIDE OF BASE).

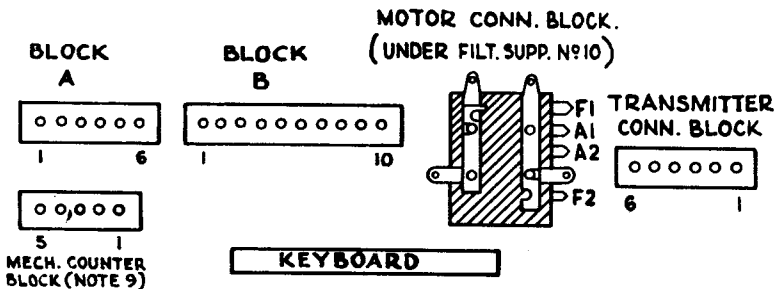


FIG. 9. PLUG N° 903 . (VIEW OF PINS)

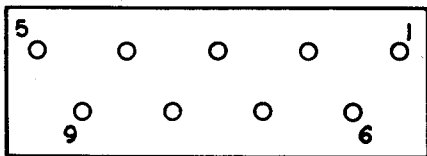


FIG. 10. TAPE EXHAUSTION ALARM - FITTED ONLY TO PRINTING REPERFORATOR N° 1 & 2 (NOTE 10)

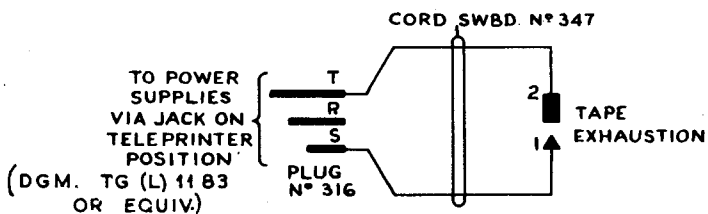


FIG. 11. END-OF-LINE INDICATOR. FITTED ONLY ON PRINTING REPERFORATOR N° 1. (NOTE 10)

