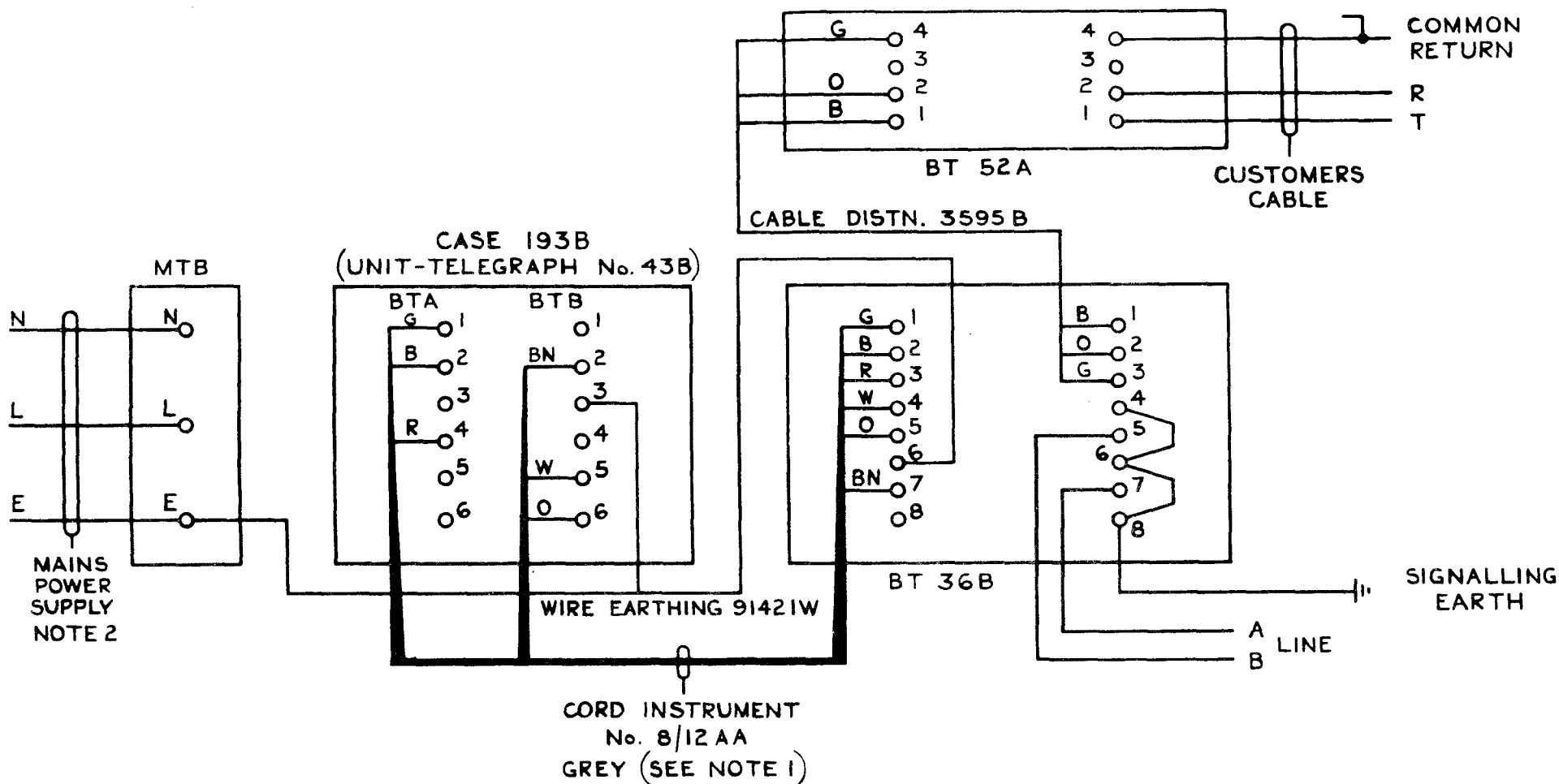


INSTALLATION FOR UP TO 5, 2 WIRE CIRCUITS
WHERE UNITS TELEGRAPH 43B ARE REQUIRED.

TG/TGW (L)11002



© THE POST OFFICE 1976

DRN CKD CERTIFICATION ENG. D.O. DATE 22-11-76	ISSUE	POST OFFICE TELECOMMUNICATIONS HQRS	N P 342	TG/TGW(L)11002
--	-------	-------------------------------------	---------	----------------

NOTES :-

1. THE SPARE WIRES AND RED WIRE SHOULD BE INSULATED AND TIED BACK.
2. CORD FLEXIBLE 3183Y 0.75 mm.