

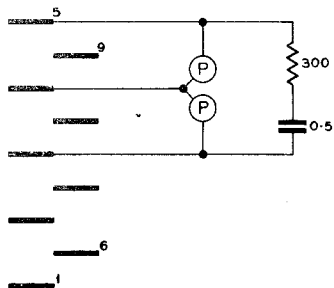
CIRCULATION
GENERAL
Suffix
Amendt.
PAPER
W

REPERFORATOR No. 2 MARK 3

TG(L)1098/2

4 PANELS - 1
3.12.52.

PLUG
No.903



PLUG FOR
SOCKET
OUTLET
No.8

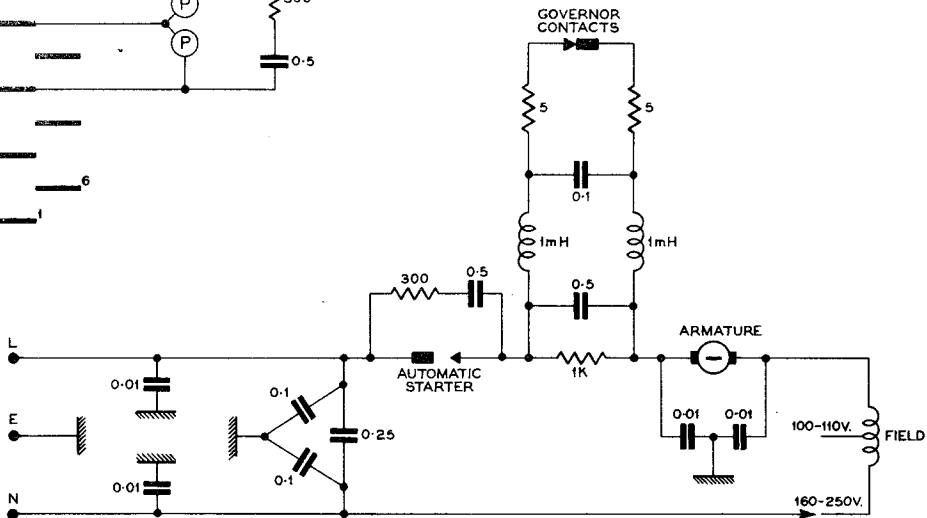


FIG.1. SCHEMATIC. (MACHINES UP TO SERIAL No. 3730)

TG(L) 1098/2

4 PANELS - 2

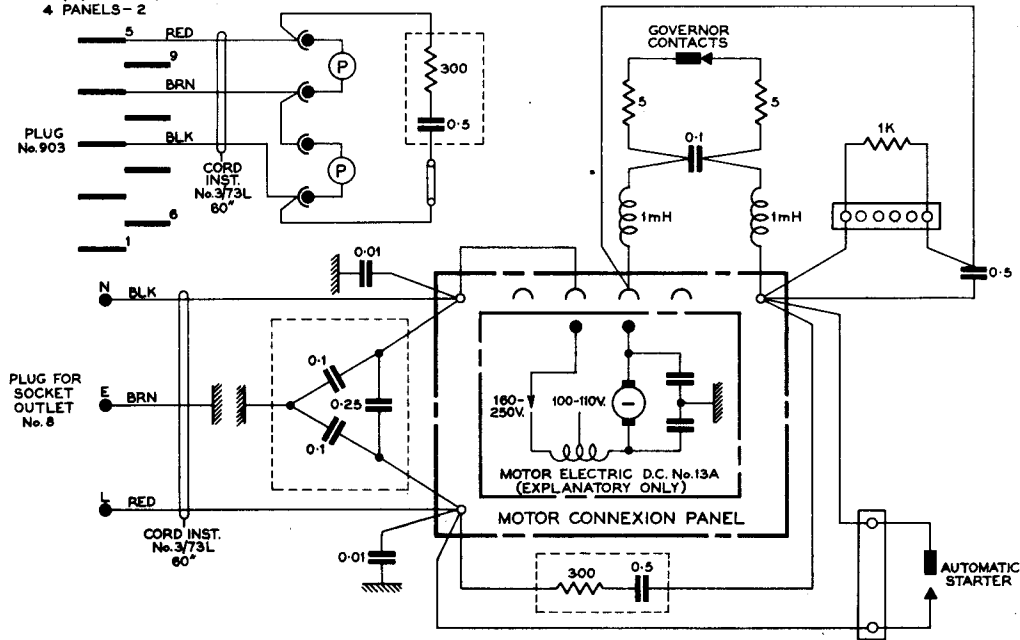


FIG. 2. WIRING (MACHINES UP TO SERIAL No. 3730)

TG(L)1098/2
4 PANELS-4

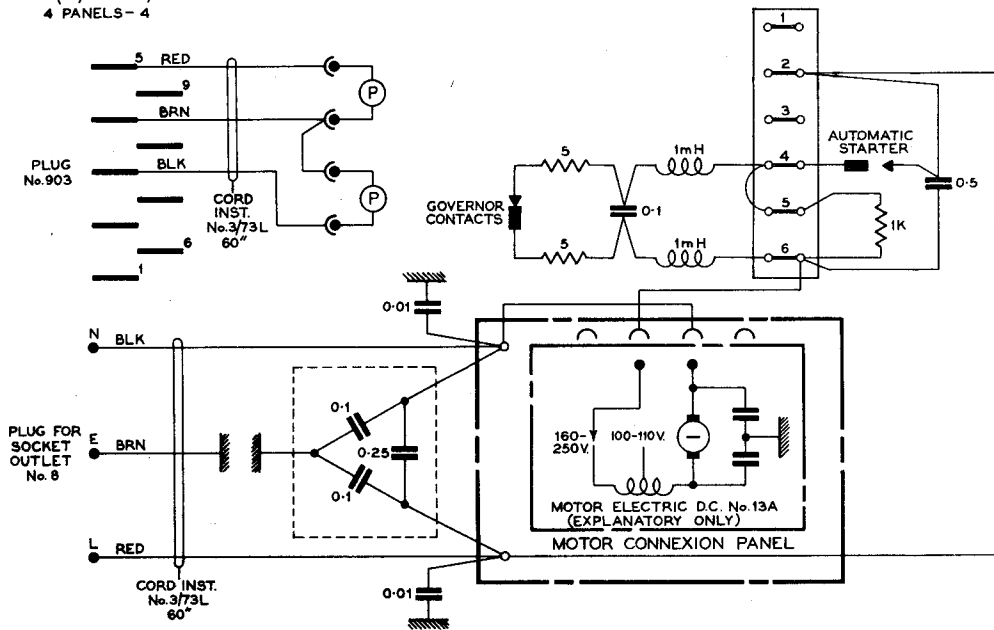


FIG. 4. WIRING. (MACHINES FROM SERIAL No. 3731 ONWARDS)

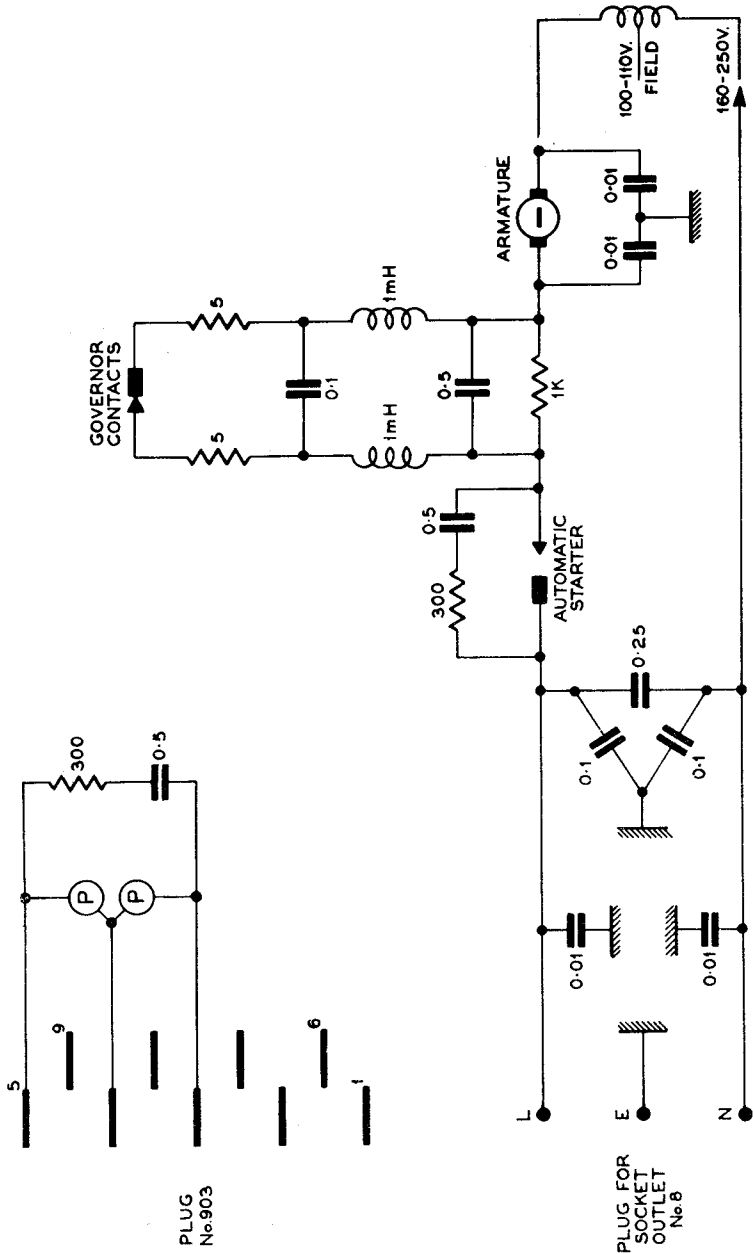


FIG. 1. SCHEMATIC. (MACHINES UP TO SERIAL No. 3730)

P.O.E.D.
TG. BCH.

PAPER W
CIRCULATION
GENERAL

ISSUES			
A	NEW FORMAT	Hm	11.2.66
			3-12-62

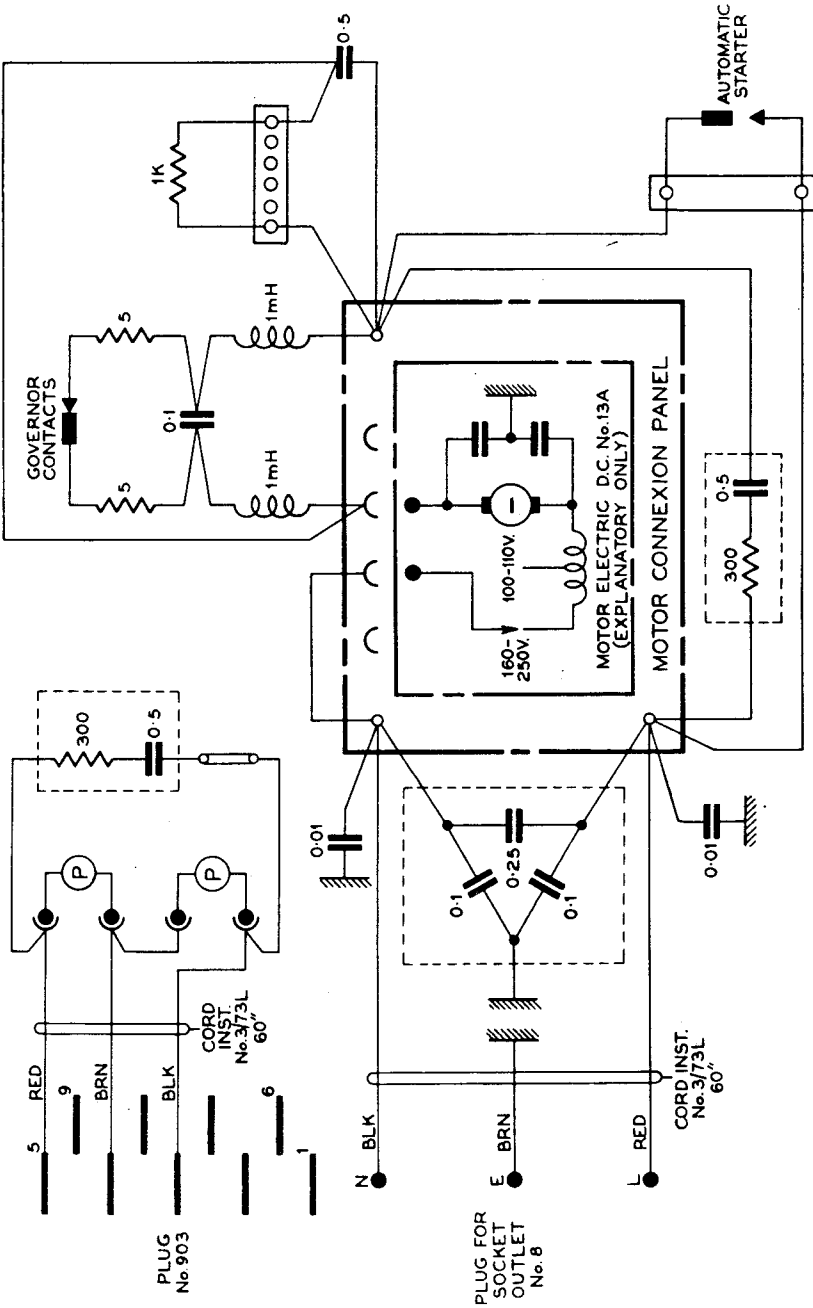


FIG. 2. WIRING (MACHINES UP TO SERIAL No. 3730)

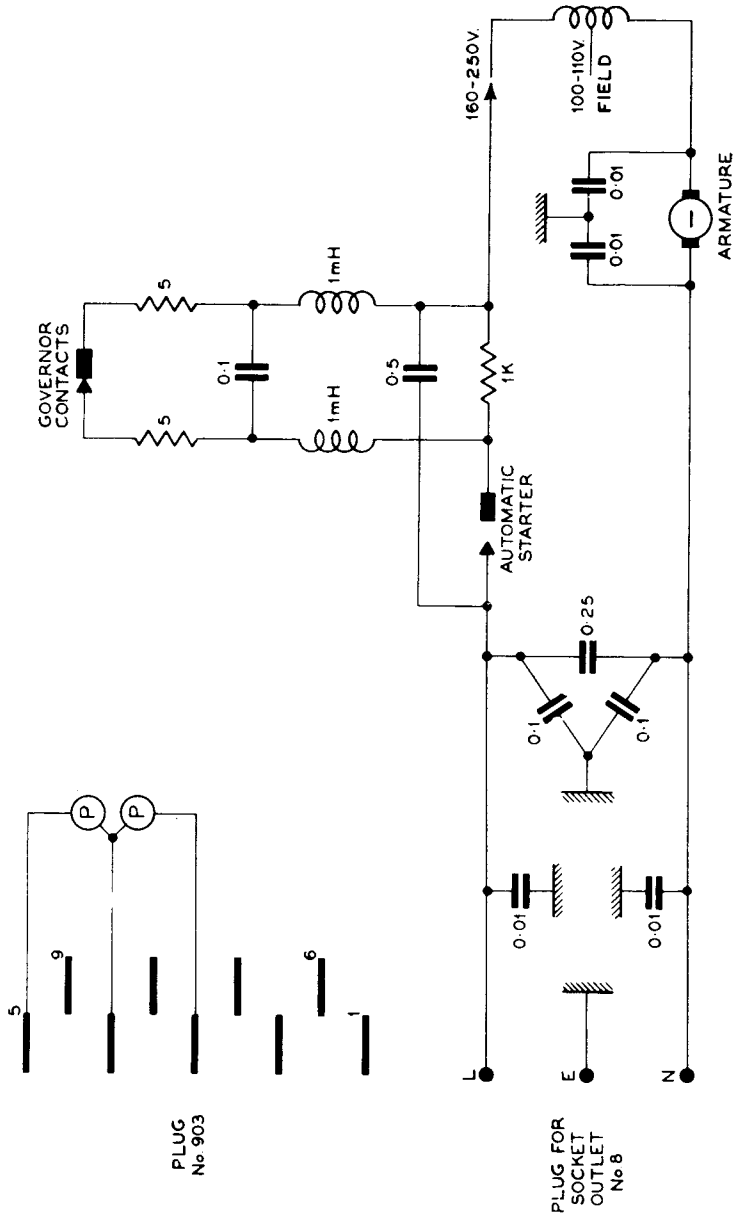


FIG. 3. SCHEMATIC. (MACHINES FROM SERIAL No 3731 ONWARDS)

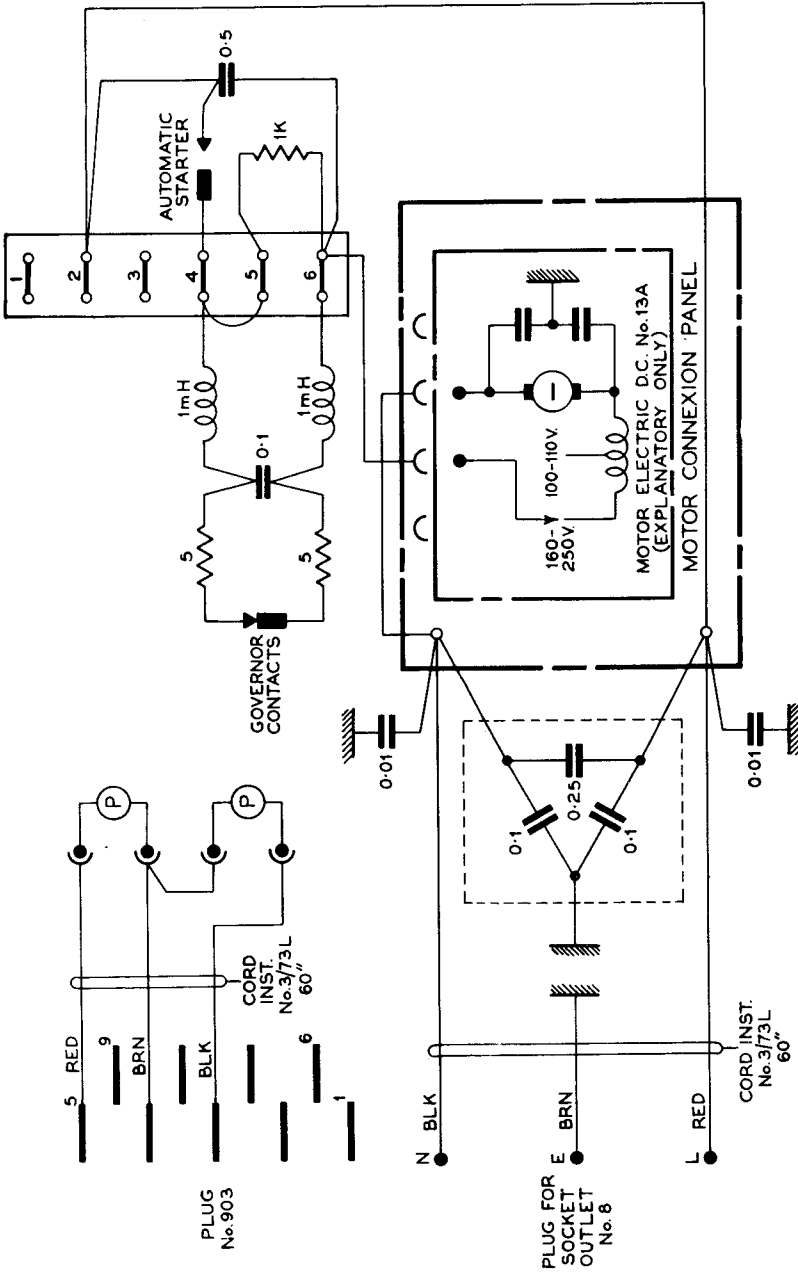


FIG. 4. WIRING. (MACHINES FROM SERIAL No. 3731 ONWARDS)