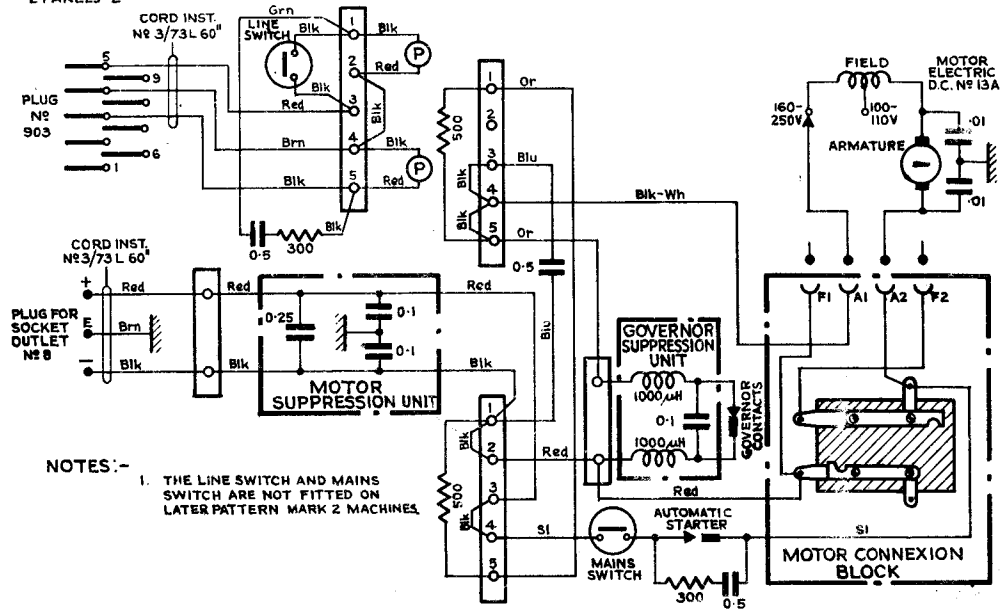


TG(L) 1098/1
2 PANELS-2



NOTES:-

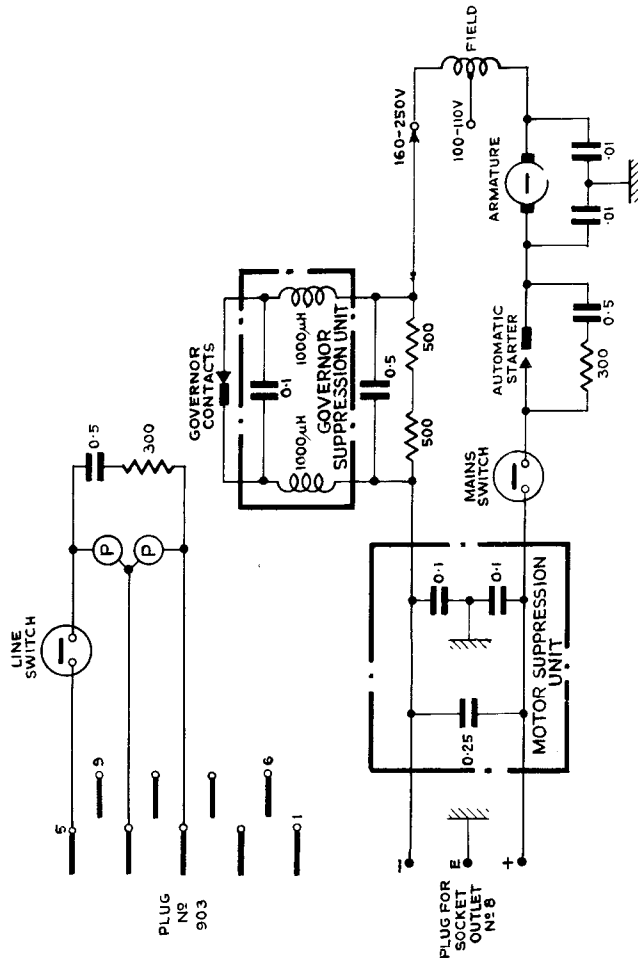
1. THE LINE SWITCH AND MAINS SWITCH ARE NOT FITTED ON LATER PATTERN MARK 2 MACHINES.

FIG. 2. WIRING

NOTES:-

1. THE LINE SWITCH AND MAINS SWITCH ARE NOT FITTED ON LATER PATTERN MARK 2 MACHINES.

FIG. 1. SCHEMATIC



P.O.E.D.
S. B.C.H.

PAPER - W
CIRCULATION -
GENERAL

| | | | | |
|--------|---|------------|----------------------------|--------------------|
| ISSUES | A | NEW FORMAT | J.C.F. H.W.S. R.N.R. TG/17 | 31-1-67 25-1-69 |
| | | | | |

