

PAPER	W	Amendt	REDAKING TITLE AMENDED - PANEL 2 ADDED MARS 70. 35. 1. 49. C	CIRCULATION
				GENERAL
Suffix				

REPERFORATOR No 2 MARK I

TG(L)1098/0

2 PANELS-1
8-8-38

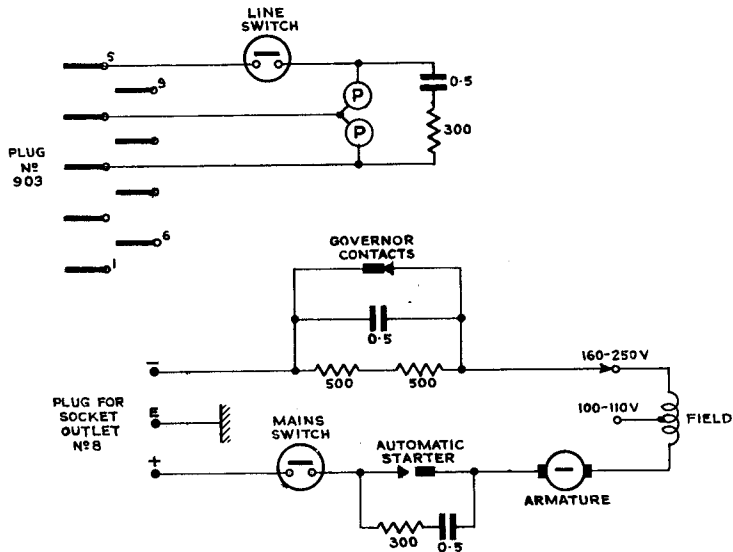


FIG. 1. SCHEMATIC

TG(L) 1098/0
2 PANELS-2

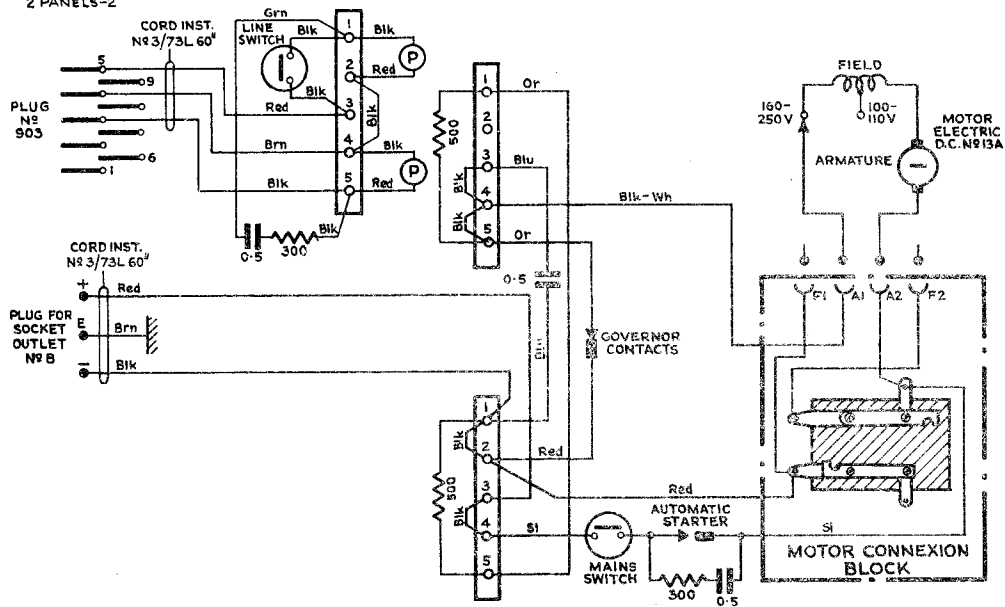
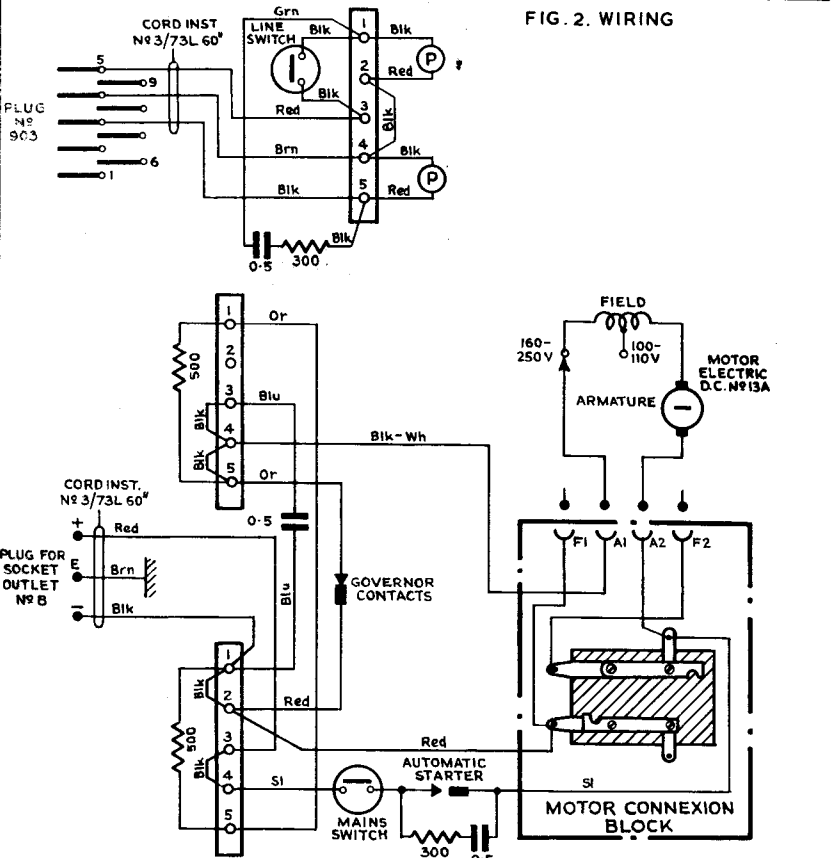
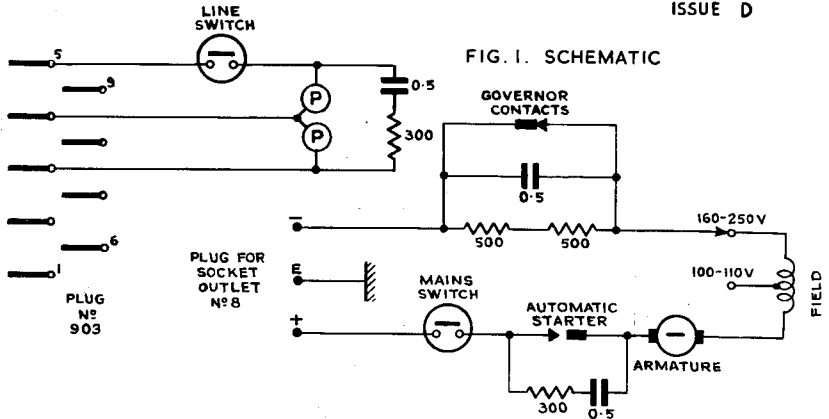


FIG. 2. WIRING



P.O.E.D.
S. B.C.H.

PAPER:- W
CIRCULATION:-
GENERAL

1	ISSUES		
0	NEW FORMAT		31-1-67
C	REDRAWN, TITLE AMENDED, PANEL 2 ADDED, MADE /6	H.W.S.	25-1-49
	A.G.D. R.J.Y.		8-8-35