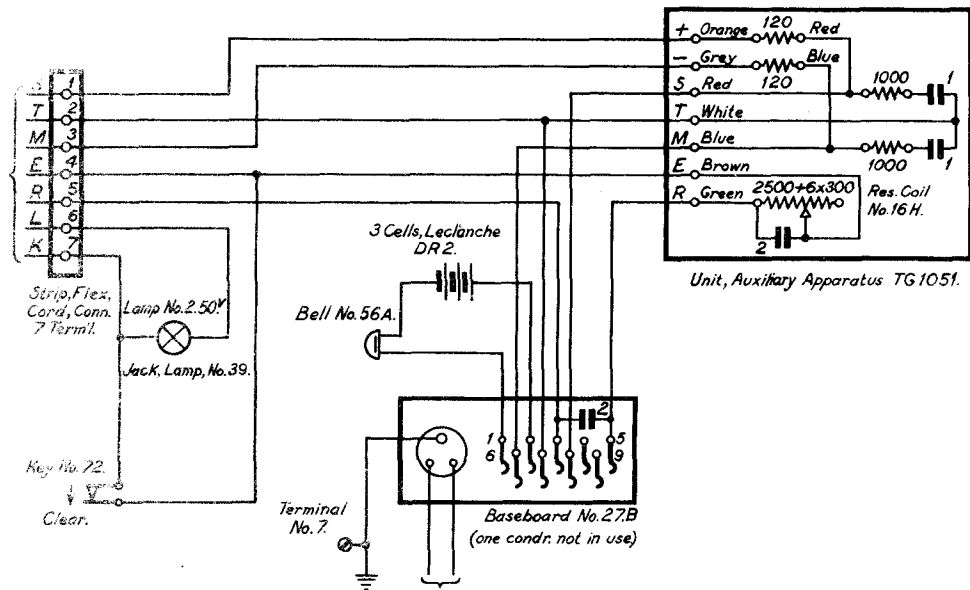


TELEPRINTER TARIFF "A" BROADCAST SYSTEM TG(L)1051 A.
CONNECTIONS FOR HEAD OFFICE TELEPRINTER POSITION

7-10-36

To Strip Conn. on Apparatus Rack, see TG.1048.



Baseboard No. 27, Jack Lamp was No. 32, Note 2 added. It. No. was B105B.	12/17/36	A
Amendment		

For Motor Power
 cct. see Figs. 3 & 4.
 TG(L) 819

- Notes
- 1 For schematic connections see TG(L)1047.
 - 2 Jack Lamp and key to be fitted in Baseboard No.27B.