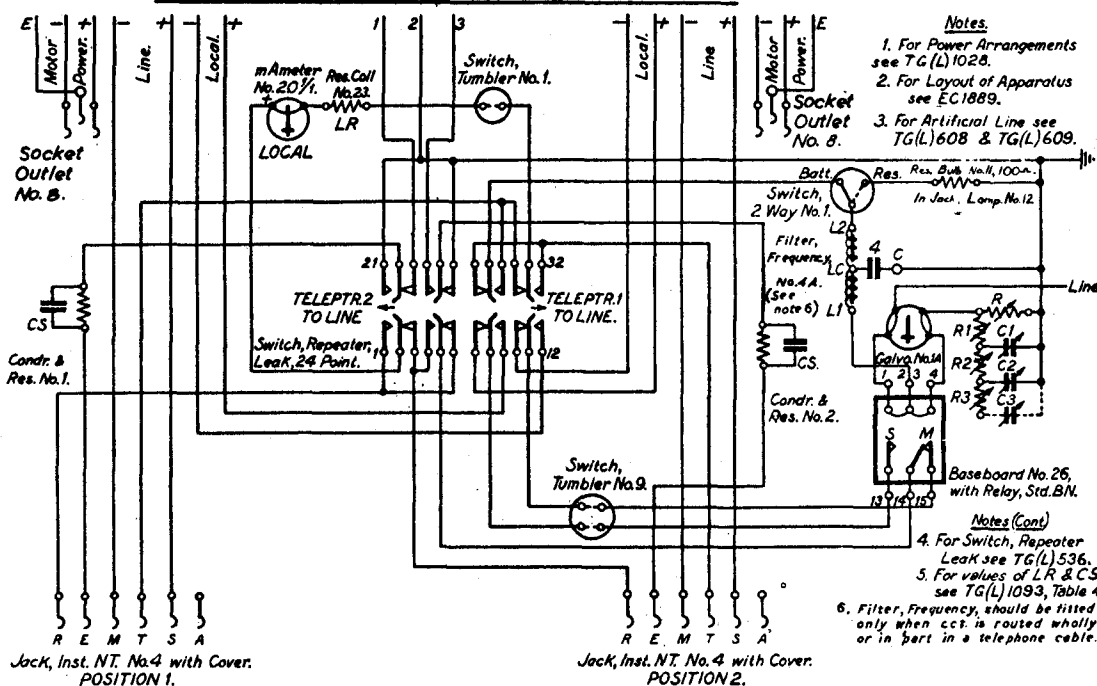


TELEPRINTER WORKING AT NON-PANEL MOUNTED OFFICES. TG(L) 1044.

DUPLIX CIRCUIT WITH SWITCH TO RESERVE FACILITY.

3-7-36.

copy sent to P.A. Spence.



Notes

1. For Power Arrangements see TG(L) 1028.
2. For Layout of Apparatus see EC 1889.
3. For Artificial Line see TG(L) 608 & TG(L) 609.

Notes (Cont)

4. For Switch, Repeater Leak see TG(L) 536.
5. For values of LR & CS see TG(L) 1093, Table 4.
6. Filter, Frequency, should be fitted only when cct. is routed wholly or in part in a telephone cable.

Res. Coil No. 23 was BC. No. 1
 Res. Bulb No. 11 was Res. Coil No. 3
 Socket Outlet No. 8 was PW No. 8 & S.S.
 Note 2 EC project deleted. See 3-1-39. B.
 L.M. was A1039 Power of X B-10-37. A.
 A Socket Outlet No. 8.

Jack, Inst. NT. No. 4 with Cover.
POSITION 1.

Jack, Inst. NT. No. 4 with Cover.
POSITION 2.