

# TELEPRINTER WORKING AT NON-PANEL MOUNTED OFFICES. TG(L)1035.

## 2 WAY SIMPLEX NON-RELAYED CIRCUIT.

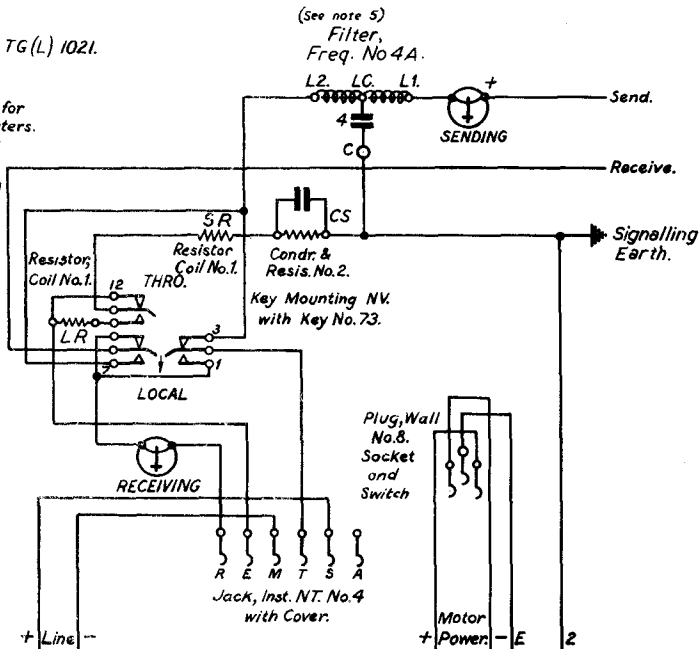
6-5-36

Note 5 added. Note 2, EC182E and 3-1-39 D deleted.

Resistor Coil No 1 was 3500	29-7-36
Mammeter in Receive Line deleted.	18-9-36
L.L. No was A103 Power Socket was Socket A Res S.R. added.	7-10-37
Amendment	A B C

**NOTES**

- 1 For Power Arrangements see TG(L) 1021.
- 2 For Layout of Apparatus see EC1881 and EC1882.
- 3 Mammeter No. 20 2/2. to be used for Sending and Receiving mA meters.
4. For values of LR, SR and CS see TG(L)1093, Table 2.
5. Filter, Frequency should be fitted only when cct. is routed wholly or in part in a telephone. cable.



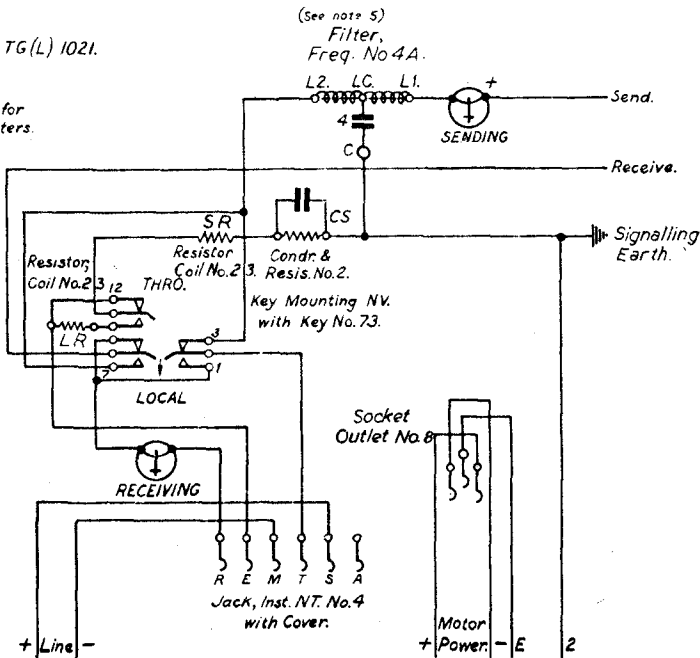
# TELEPRINTER WORKING AT NON-PANEL MOUNTED OFFICES. TG(L)1035.

## 2 WAY SIMPLEX NON-RELAYED CIRCUIT.

6-5-36

### NOTES

- 1 For Power Arrangements see TG(L) 1021.
- 2 For Layout of Apparatus see EC1881 and EC1882.
- 3 Meter No. 20 1/2 to be used for Sending and Receiving meters.
4. For values of LR, SR and CS see TG(L)1093, Table 2.
5. Filter, Frequency should be fitted only when cct. is routed wholly or in part in a telephone cable.



Note 5 added. Note 2-EC1828 and 1927 deleted.	3-1-39	D
Socket outlet No. 8 was Plug wall M.B. Socket & Switch, Res. Coil No. 23 and Res. Coil No. 3.	7-5-41	E

Resistor Coil No. 1 was 3500.	29-7-36	A
Meter in Receive Line deleted	18-9-36	B
L.L. No was AT031 Power Socket was Socket A Res. S.R. added.	7-10-37	C
Amendment		