

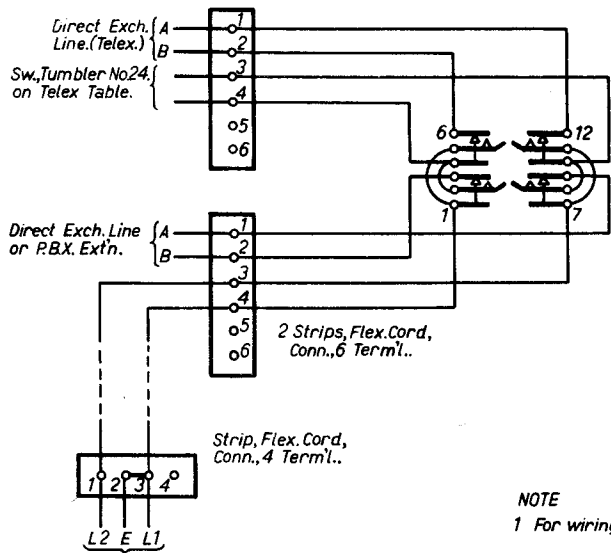
TELEX CIRCUIT.

MODIFIED TO PROVIDE SWITCHING FACILITY
ON TWO EXCHANGE LINES.

TG(L)1034 25-5-36.

Supersedes Diagram Misc.4287.

Glob. of Wt. part.
 L.L. No. was B 1055.
 Amend. 1.



Key, Mounting NV.
with Key No. 253 (Black)

NOTE
1 For wiring of Telex Equip. see TG(L)996

To Bell, Set & Telephone
associated with additional
Exch. Line or P.B.X. Ext'n.