

TELEPRINTER WORKING AT NON-PANEL MOUNTED OFFICES. A 1033. 6-5-36

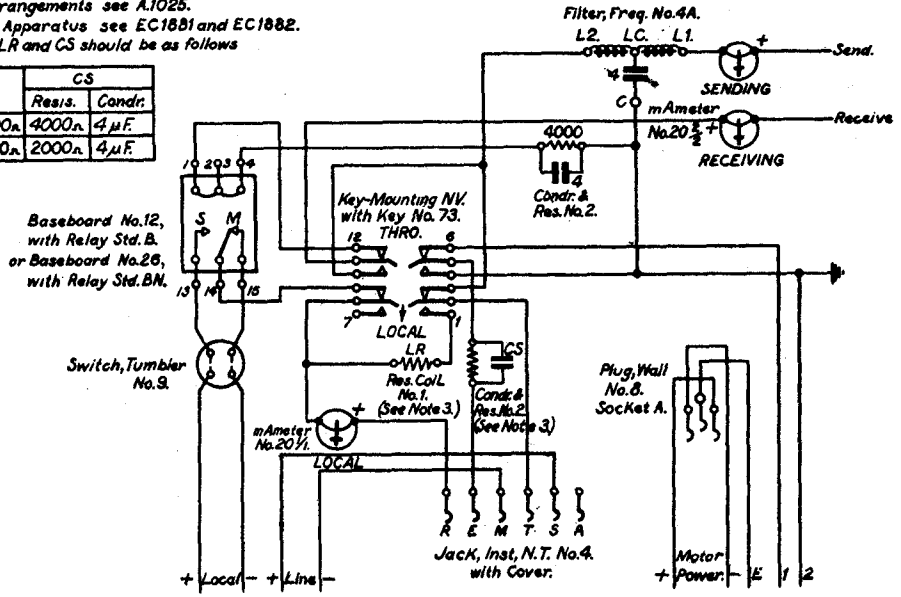
2 WAY SIMPLEX RELAYED CIRCUIT.

TG1036A.

NOTES

1. For Power Arrangements see A.1025.
2. For Layout of Apparatus see EC1881 and EC1882.
3. The values of LR and CS should be as follows

| Power Supply. | LR | CS | |
|---------------|-----------------|-----------------|------------|
| | | Resis. | Condr. |
| A.C. | 3500 Ω . | 4000 Ω . | 4 μ F. |
| D.C. | 5500 Ω . | 2000 Ω . | 4 μ F. |



Baseboard No.12,
with Relay Std. B.
or Baseboard No.26,
with Relay Std. BN.

Switch, Tumbler
No. 9.

mA meter
No. 20 1/2.

Plug, Wall
No. 8.
Sock. A.

Jack, Inst. N.T. No. 4.
with Cover.

Motor
+ Power - E 1 2

CS wire 2 μ F for A.C.
 A Key Contact connected to Loop
 A Lines for Local Test.

6-5-36
 A. 1033
 TG1036A