

TELEPRINTER ANCILLARY WORKING AT TG(L)1032
 OUT OFFICES.
 ALARM AND ANSWER-BACK ARRANGEMENTS.

			C
		27-535	
		27391	B

REDRAWN FIG.1 ADDED.
 SWITCH TUMBLER No.17 AND
 EXTENSION BELL ADDED.
 Amendment.

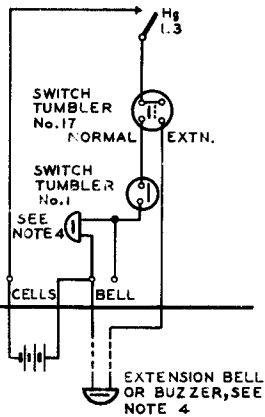
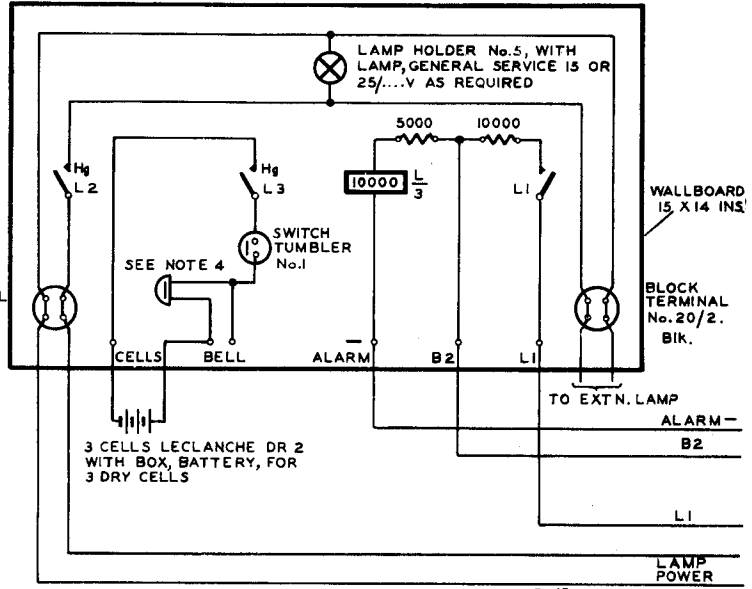


FIG.1 CONNEXIONS FOR
 EXTENSION BELL
 OR BUZZER.

BLOCK
 TERMINAL
 No.20/2
 BIK.



3 CELLS LECLANCHE DR 2
 WITH BOX, BATTERY, FOR
 3 DRY CELLS

1. L RELAY (MERCURY SWITCH) TO BE RELAY SWITCH No.3105 NL $\frac{2-15}{A X}$.
2. THE 5000Ω AND 10000Ω RESISTANCES TO BE FITTED IN THE RELAY SWITCH.
3. FOR LAYOUT OF APPARATUS ON WALLBOARD SEE EC 1880.
4. BUZZER No.18B WITH 50Ω SERIES RESISTANCE OR BELL No.56A AS REQUIRED.