

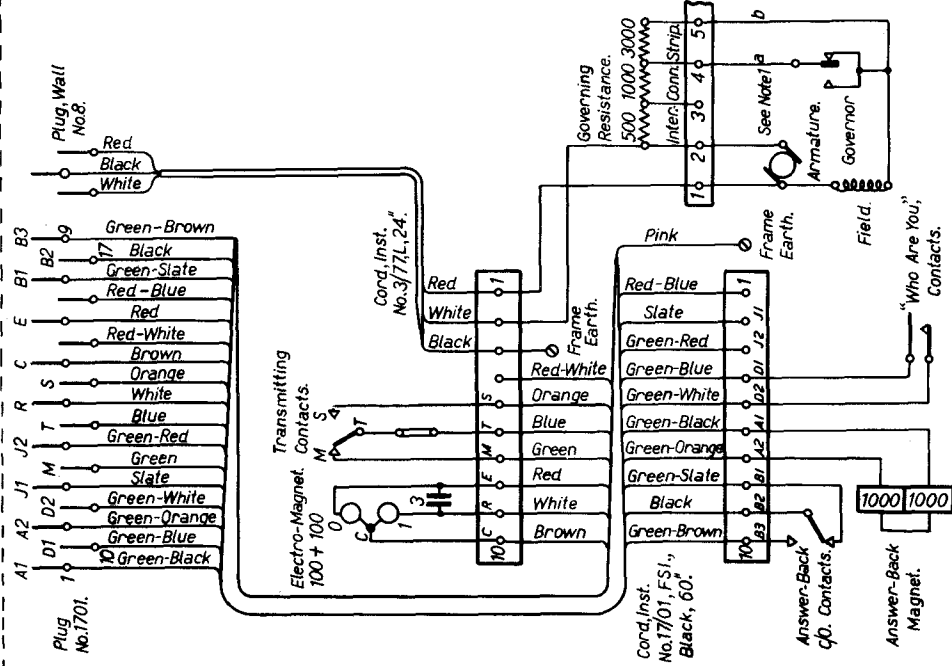
TELEPRINTER No.3 W, X, Y AND Z.

SCHEMATIC CONNECTIONS.

TG(L)1031A. 6 · 4 · 36

L.L. No was C.1009.	4-5-37 A
Amendment	

D.B. ed. by W.A.H.



NOTES

- 1 For 200-220 and 230-250v. Motor, connect a and b to 4 and 5 respectively.
For 110v. Motor, connect a and b to 3 and 4 respectively.
- 2 The Pink conductor of the Inst. Cord, is connected to the copper screen surrounding the Orange conductor.
- 3 The Send-Receive Switch is not in use.

TELEPRINTER No. 3, W, X, Y & Z

SCHEMATIC & WIRING

TG(L) 1031
2 PANELS-1

	CIRCULATION	
	GEN.	
	Suffix	
	4-5-37 A	
	29-1-48 B	
	2-4-49 C	
LL No. WAS C1009. W.C.P. C.O.L. A.G.B. (REDRAWN & CORRECTED PAPER FAIL CONTACTS ADDED 29-1-48 B) (REDRAWN, PLUG 1701 WRONGLY NUMBERED; NOTE I ALTERED 2-4-49 C)		
Amendt.		
PAPER		
W		

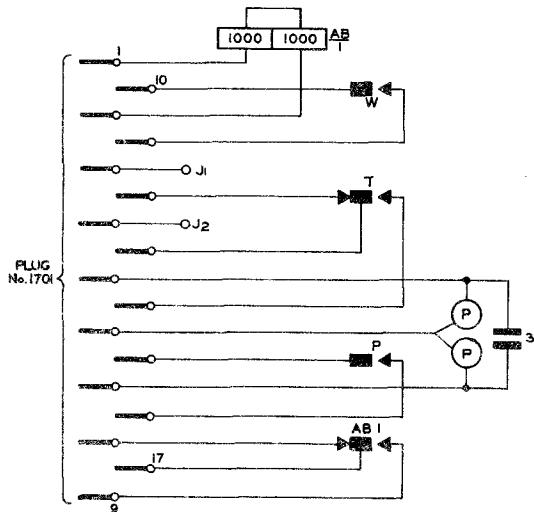


FIG. 1. SCHEMATIC.

NOTES:-

1. MOTORS ELECTRIC DC No. 8 ARE AVAILABLE IN FOUR VOLTAGE RANGES. FOR THE RANGES 200-220V AND 230V-250V THE MOTOR CONNEXIONS SHOWN IN FIG. 2 ARE USED. FOR THE RANGES 100-110V AND 150-170V THE ALTERNATIVE MOTOR CONNEXIONS IN FIG. 3 ARE USED.
2. THE SEND-RECEIVE SWITCH IS NOT IN CIRCUIT.
3. THE PINK CONDUCTOR OF THE CORD INST No. 17/01, F.S.I, BLACK, 24" IS CONNECTED TO THE COPPER SCREEN SURROUNDING THE ORANGE CONDUCTOR.
4. ① ② ③ ETC. INDICATE SPRING CONNEXIONS BETWEEN THE ANSWER BACK UNIT AND THE TELEPRINTER. THE METHOD OF NUMBERING THE SPRING CONNEXIONS IS SHOWN IN FIG. 4.

TELEPRINTER No. 3, W, X, Y & Z

SCHEMATIC & WIRING

TG (L) 1031
2 PANELS-2

