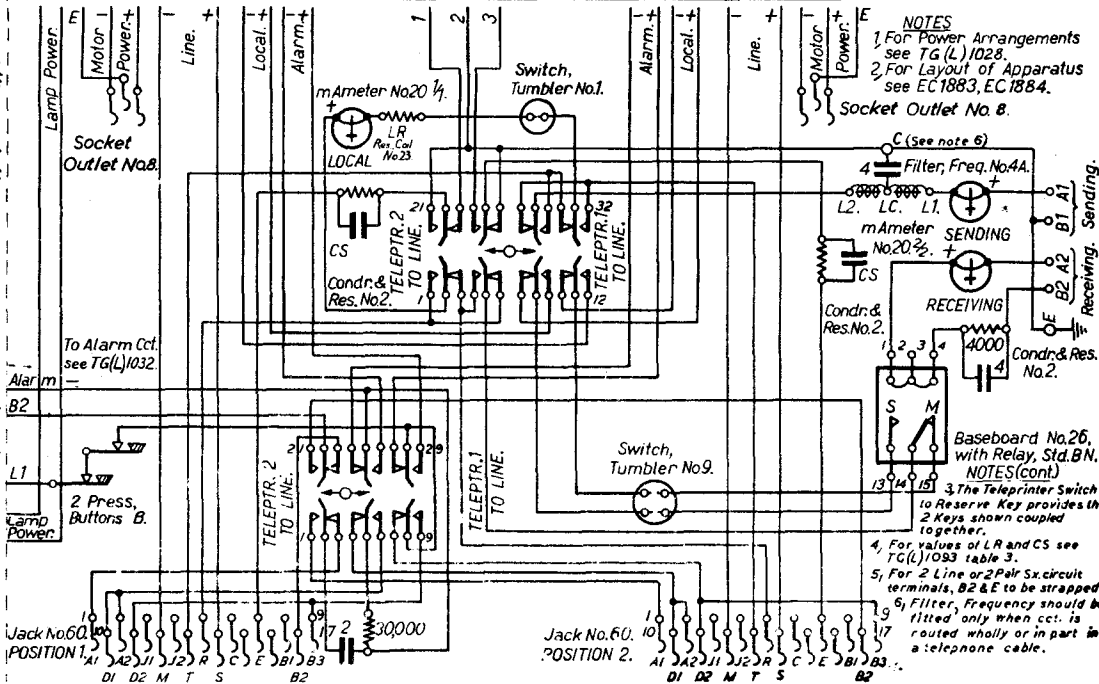


TELEPRINTER ANCILLARY WORKING AT OUT OFFICES. TG(L)1030.

5-5-36.

2 WAY SIMPLEX RELAYED CIRCUIT WITH SWITCH TO RESERVE FACILITY.



NOTES
 1. For Power Arrangements see TG(L)1028.
 2. For Layout of Apparatus see EC1883, EC1884.
 Socket Outlet No. 8.

C (See note 6)
 4 Filter, Freq. No. 4A.
 L2. LC. L1.
 mAmeter No. 20 2/2.
 CS
 Condr. & Res. No. 2.
 4000
 Condr. & Res. No. 2.
 Baseboard No. 26, with Relay, Std. B.N.
NOTES (cont)
 3. The Teletypewriter Switch to Reserve Key provides the 2 Keys shown coupled together.
 4. For values of LR and CS see TG(L)1093 table 3.
 5. For 2 Line or 2 Pair Sx circuit terminals, B2 & E to be strapped.
 6. Filter, Frequency should be fitted, only when cct. is routed wholly or in part in a telephone cable.

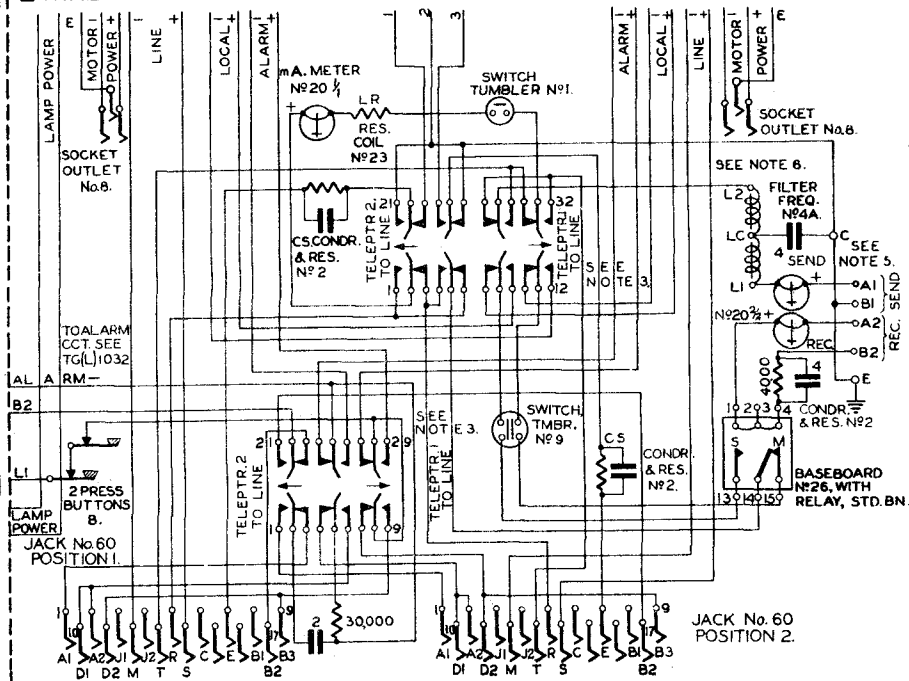
2nd Press Button added. 8-10-37 D
 Notes 5 and 6 added.
 Line connection amended.
 Socket outlet No. 8 was Plug No. 8.
 Socket & Switch, Res. Coil No. 23 was Res. Co. 12M.
 7-5-36.
 A Coms. 1, 2 & 3 amended. 8-10-37 E
 2 Press. Buttons B.
 Lamp Power.
 Jack No. 60, POSITION 1.
 Jack No. 60, POSITION 2.
 2nd Press Button added.
 Notes 5 and 6 added.
 Line connection amended.
 Socket outlet No. 8 was Plug No. 8.
 Socket & Switch, Res. Coil No. 23 was Res. Co. 12M.
 7-5-36.
 A Coms. 1, 2 & 3 amended. 8-10-37 E
 2 Press. Buttons B.
 Lamp Power.
 Jack No. 60, POSITION 1.
 Jack No. 60, POSITION 2.

TELEPRINTER ANCILLARY WORKING AT OUT OFFICES. TG(L)1030.

5-5-36

2 WIRE OR 2 LOOP SIMPLEX RELAYED CIRCUIT WITH SWITCH TO RESERVE FACILITY.

23-443	F		
Title & Notes 3 & 5 amended			
Redrawn. No amendment.			
Amendment.			



NOTES:-

1. FOR POWER ARRANGEMENTS SEE TG(L)1028.
2. FOR LAYOUT OF APPARATUS SEE EC1883, EC1884.
3. THE TWO KEYS SHOWN ARE COUPLED & SHOULD BE REQUESTIONED AS "TELEPRINTER SWITCH-TO-RESERVE KEY."
4. FOR VALUES OF LR & CS SEE TG(L)1093 TABLE 3.
5. FOR 2 WIRE SX. CCTS. TERMINALS B2 & E SHOULD BE STRAPPED & THE LINE WIRES CONNECTED TO TERMINALS A1 & A2.
6. FILTER, FREQUENCY, SHOULD BE FITTED ONLY WHEN CCT. IS ROUTED WHOLLY OR IN PART IN A TELEPHONE CABLE.