

# TELEPRINTER WORKING AT NON-PANEL MOUNTED OFFICES. DX., & 2 WAY SX., WITH SWITCH TO RESERVE FACILITY, POWER ARRANGEMENTS.

TG(L)1028

12-5-36

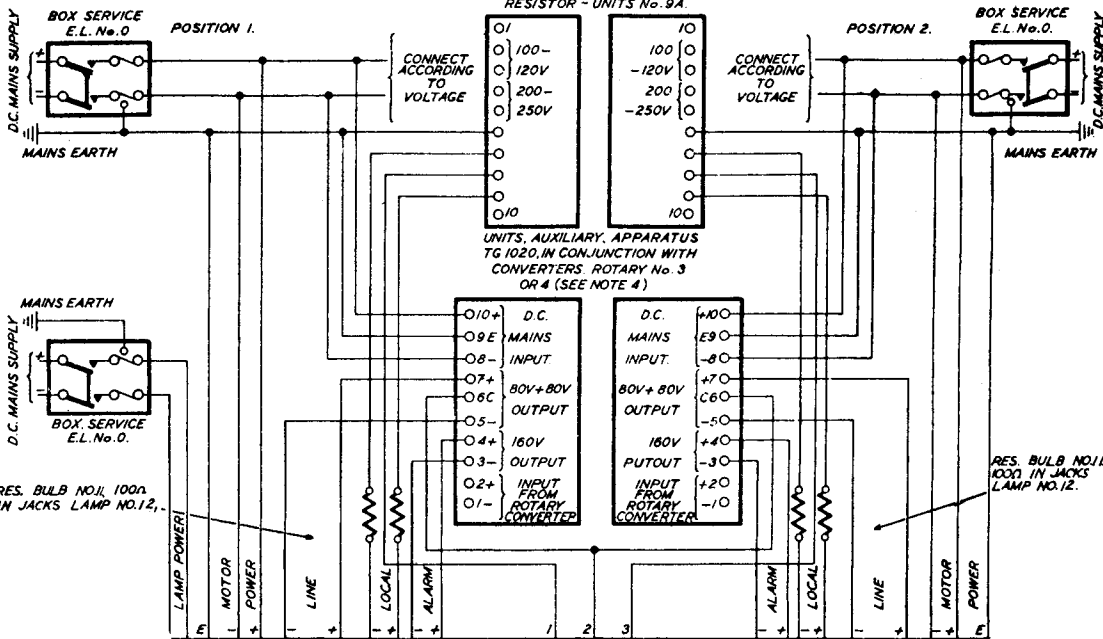
6 PANELS-1

NOTE.  
THE APPARATUS PROVIDING LOCAL POWER  
SHOULD BE OMITTED FOR NON-RELAYED CIRCUITS

FIG. 1. D.C. MAINS SUPPLY.

RES. BULB NO.11  
WAS CUT OUT & RES. NO.1  
REDRAWN. FIGS. 4 TO 6 ADDED

A.MENDMENT



RES. BULB NO.11 1000  
IN JACKS LAMP NO.12.

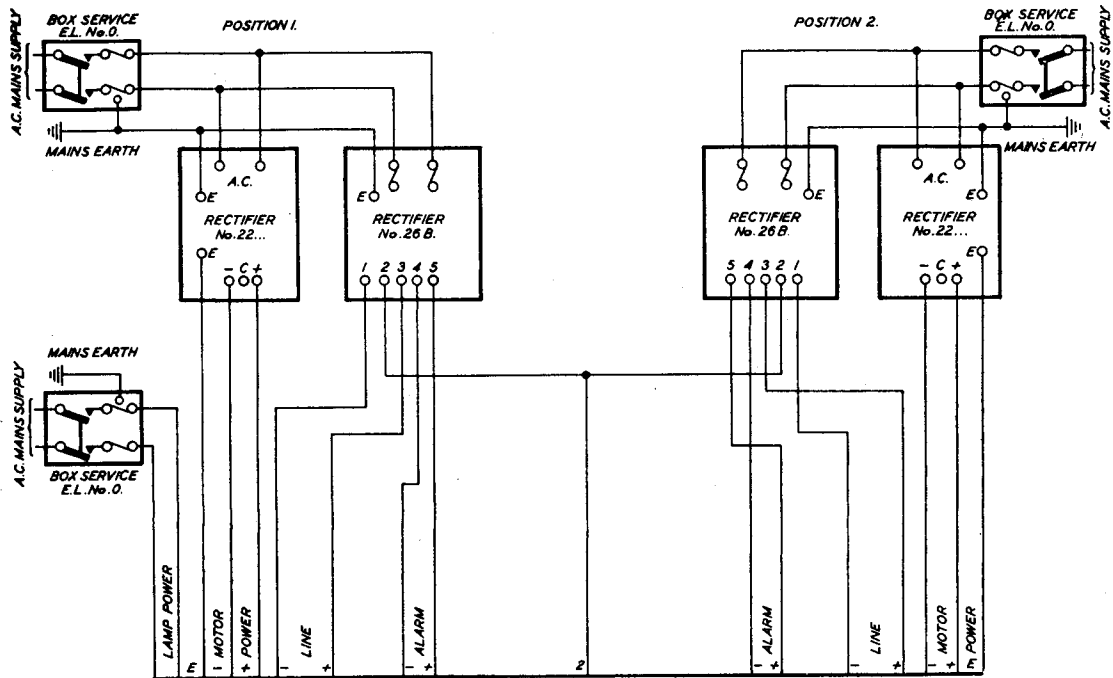
RES. BULB NO.11  
1000 IN JACKS  
LAMP NO.12.

RES. BULB NO.11  
WAS CUT OUT & RES. NO.1  
REDRAWN. FIGS. 4 TO 6 ADDED

RES. BULB NO.11  
WAS CUT OUT & RES. NO.1  
REDRAWN. FIGS. 4 TO 6 ADDED

6 PANELS - 2

FIG. 2. A.C. MAINS SUPPLY FOR NON-RELAYED CIRCUIT.



CIRCULATION

**TELEPRINTER WORKING AT NON-PANEL MOUNTED OFFICES.  
DX., & 2 WAY SX., WITH SWITCH TO RESERVE FACILITY, POWER ARRANGEMENTS.**

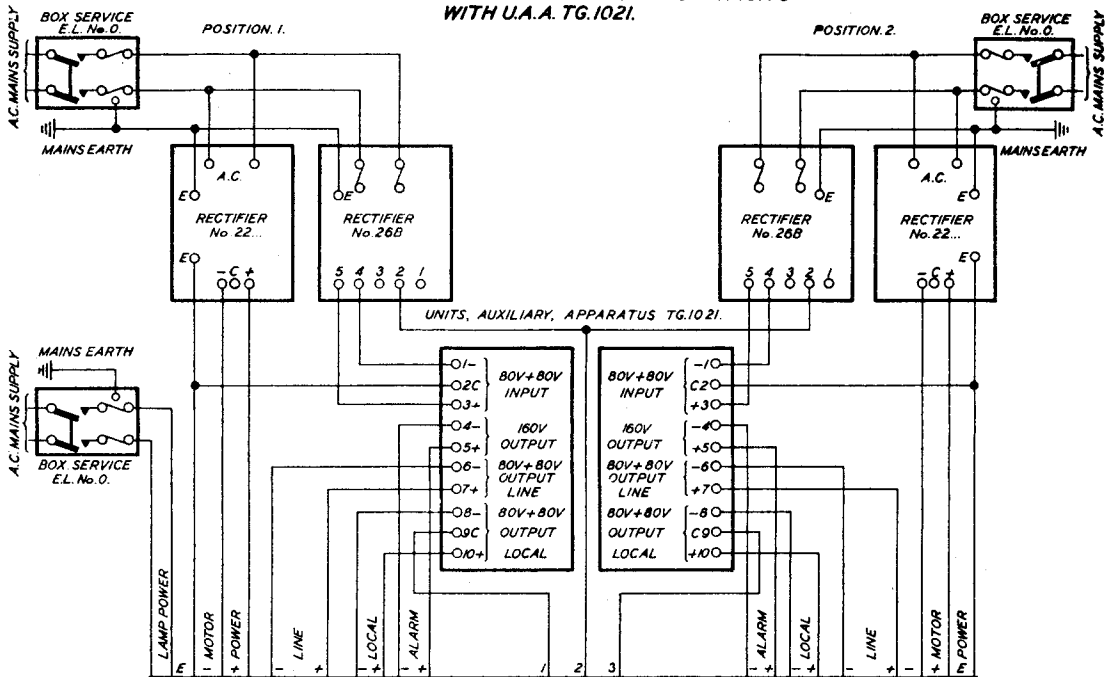
**TG(L)1028**  
**12-5-36**  
**6 PANELS-3**

**FIG. 3. AC. MAINS SUPPLY FOR RELAYED CIRCUITS  
WITH U.A.A. TG.1021.**

A.MENDMENT

RES. BULB NO.11,  
WAS CUT OUT & RES. NO.1  
REDRAWN. FIGS. 4 TO 6 ADDED.

7-6-41 D  
R-535 C

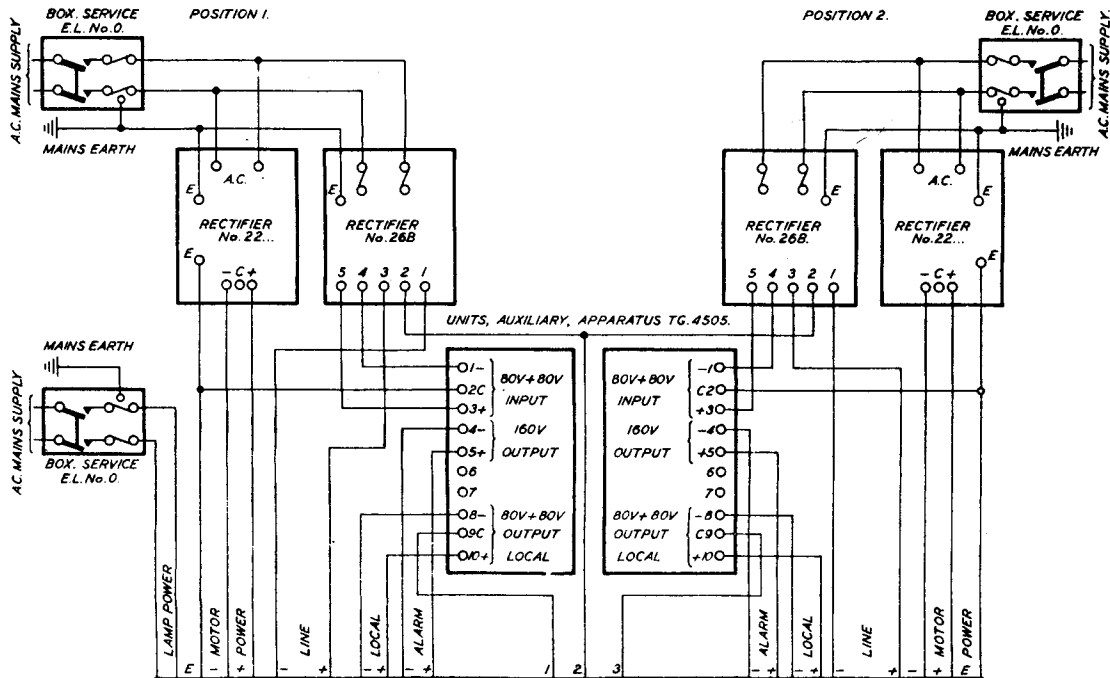


Blank box for additional notes or stamps.

TG(L)1028

6 PANELS - 4

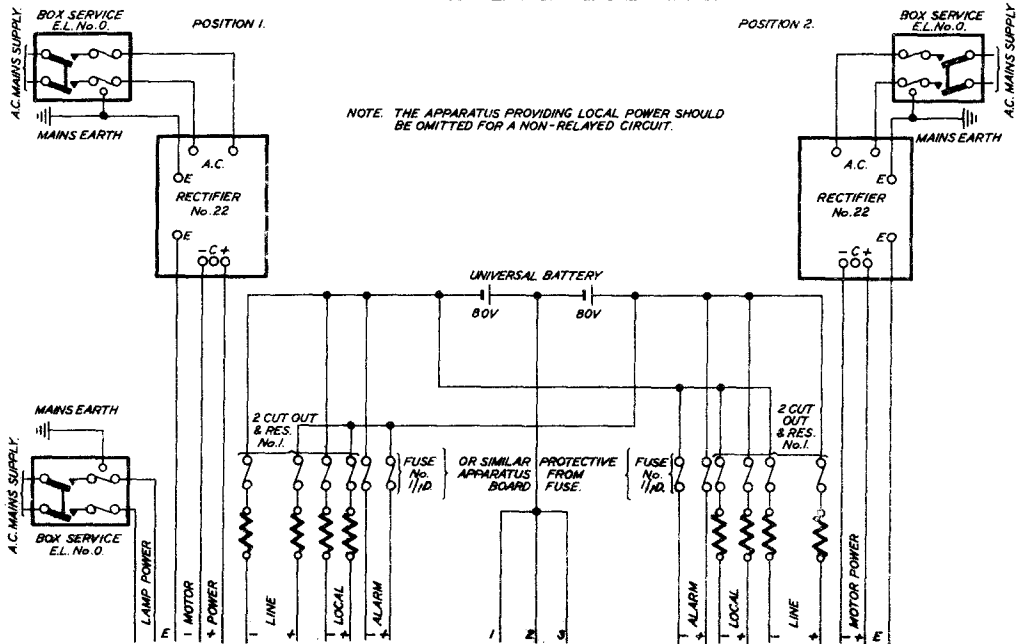
FIG. 4. A.C. MAINS SUPPLY FOR RELAYED CIRCUITS WITH U.A.A. TG. 4505.



TG(L) 1028

6 PANELS - 5

FIG. 5. A.C. MAINS SUPPLY & UNIVERSAL BATTERY.



# TELEPRINTER WORKING AT NON-PANEL MOUNTED OFFICES. TG(L) 1028

## DX., & 2 WAY SX., WITH SWITCH TO RESERVE FACILITY, POWER ARRANGEMENTS.

6 PANELS-6

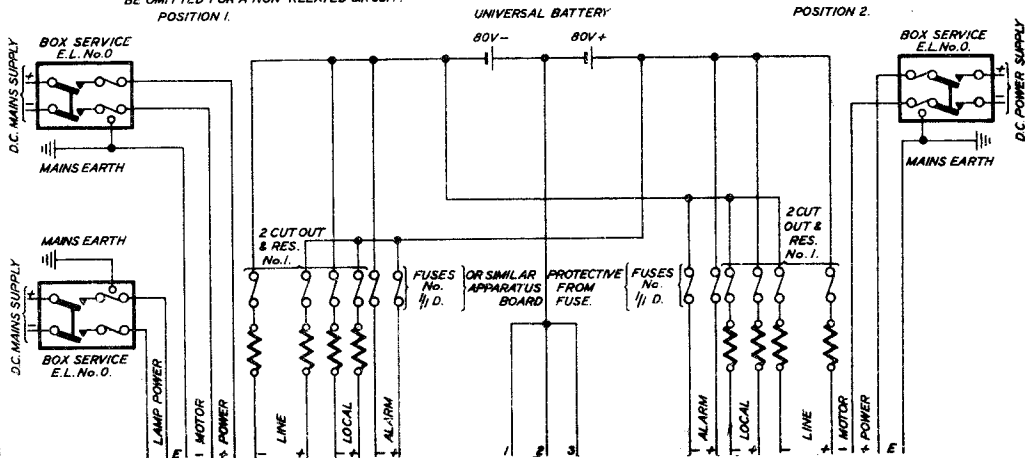
- NOTES. 1. FOR CONNEXIONS OF RECTIFIER No. 22... SEE TG(L) 802.  
 2. FOR CONNEXIONS OF RECTIFIER No. 26B. SEE TG(L) 1058.  
 3. FOR LAYOUT OF APPARATUS SEE E.C. 1883, 1884, 1889.  
 4. FOR 80V+ 80V SUPPLY FROM D.C. MAINS SEE TG(L) 1020.  
 5. THE POWER SUPPLIES FOR LAMP & ALARM FACILITIES ARE REQUIRED ONLY FOR ANCILLARY WORKING.  
 6. FOR CONNEXIONS OF RESISTOR-UNIT No. 9A. SEE TG(L) 1084.  
 7. FOR CONNEXIONS OF U.A.A. TG. 4505. SEE TG. (L) 4505.

### FIG. 6. D.C. MAINS SUPPLY & UNIVERSAL BATTERY.

NOTE. THE APPARATUS PROVIDING LOCAL POWER SHOULD BE OMITTED FOR A NON-RELAYED CIRCUIT.

POSITION 1.

POSITION 2.



REDRAWN. FIGS. 4 TO 6 ADDED.

AMENDMENT