

# TELEPRINTER ANCILLARY WORKING AT OUT OFFICES. TG(L) 1027

## 2 WIRE OR 2 LOOP SIMPLEX RELAYED CIRCUIT.

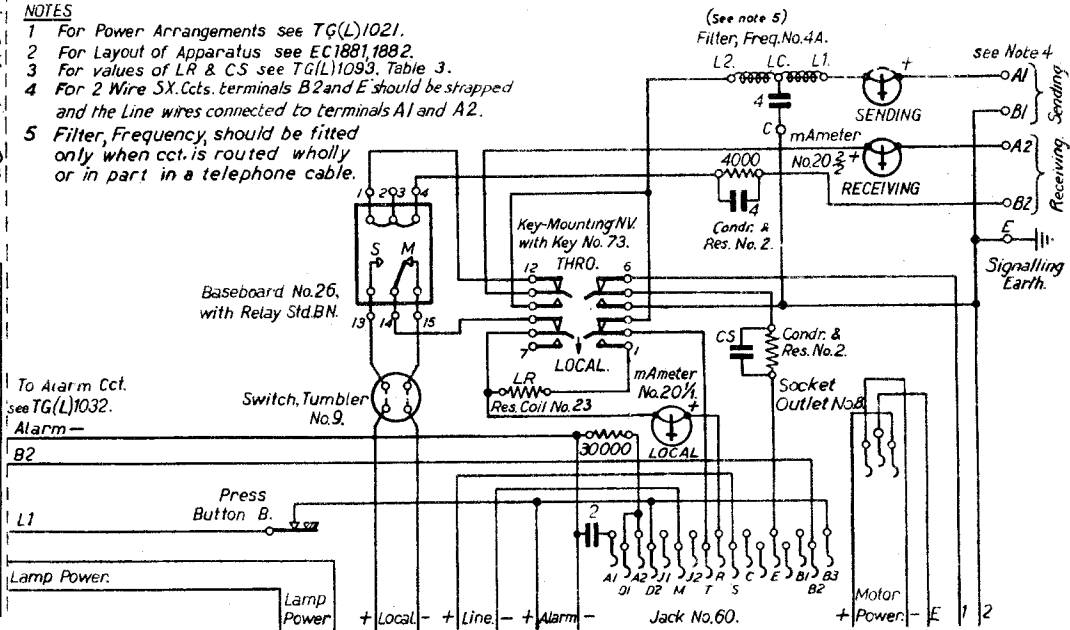
15.4.36

No. 4 & 5 added. Line connection amended. Socket outlet No. 3 was Plug Wall No. 8. Socket No. 4 was Plug Wall No. 8. Socket No. 5 was Plug Wall No. 8. Socket No. 6 was Plug Wall No. 8. Socket No. 7 was Plug Wall No. 8. Socket No. 8 was Plug Wall No. 8. Socket No. 9 was Plug Wall No. 8. Socket No. 10 was Plug Wall No. 8. Socket No. 11 was Plug Wall No. 8. Socket No. 12 was Plug Wall No. 8. Socket No. 13 was Plug Wall No. 8. Socket No. 14 was Plug Wall No. 8. Socket No. 15 was Plug Wall No. 8. Socket No. 16 was Plug Wall No. 8. Socket No. 17 was Plug Wall No. 8. Socket No. 18 was Plug Wall No. 8. Socket No. 19 was Plug Wall No. 8. Socket No. 20 was Plug Wall No. 8. Socket No. 21 was Plug Wall No. 8. Socket No. 22 was Plug Wall No. 8. Socket No. 23 was Plug Wall No. 8. Socket No. 24 was Plug Wall No. 8. Socket No. 25 was Plug Wall No. 8. Socket No. 26 was Plug Wall No. 8. Socket No. 27 was Plug Wall No. 8. Socket No. 28 was Plug Wall No. 8. Socket No. 29 was Plug Wall No. 8. Socket No. 30 was Plug Wall No. 8. Socket No. 31 was Plug Wall No. 8. Socket No. 32 was Plug Wall No. 8. Socket No. 33 was Plug Wall No. 8. Socket No. 34 was Plug Wall No. 8. Socket No. 35 was Plug Wall No. 8. Socket No. 36 was Plug Wall No. 8. Socket No. 37 was Plug Wall No. 8. Socket No. 38 was Plug Wall No. 8. Socket No. 39 was Plug Wall No. 8. Socket No. 40 was Plug Wall No. 8. Socket No. 41 was Plug Wall No. 8. Socket No. 42 was Plug Wall No. 8. Socket No. 43 was Plug Wall No. 8. Socket No. 44 was Plug Wall No. 8. Socket No. 45 was Plug Wall No. 8. Socket No. 46 was Plug Wall No. 8. Socket No. 47 was Plug Wall No. 8. Socket No. 48 was Plug Wall No. 8. Socket No. 49 was Plug Wall No. 8. Socket No. 50 was Plug Wall No. 8. Socket No. 51 was Plug Wall No. 8. Socket No. 52 was Plug Wall No. 8. Socket No. 53 was Plug Wall No. 8. Socket No. 54 was Plug Wall No. 8. Socket No. 55 was Plug Wall No. 8. Socket No. 56 was Plug Wall No. 8. Socket No. 57 was Plug Wall No. 8. Socket No. 58 was Plug Wall No. 8. Socket No. 59 was Plug Wall No. 8. Socket No. 60 was Plug Wall No. 8. Socket No. 61 was Plug Wall No. 8. Socket No. 62 was Plug Wall No. 8. Socket No. 63 was Plug Wall No. 8. Socket No. 64 was Plug Wall No. 8. Socket No. 65 was Plug Wall No. 8. Socket No. 66 was Plug Wall No. 8. Socket No. 67 was Plug Wall No. 8. Socket No. 68 was Plug Wall No. 8. Socket No. 69 was Plug Wall No. 8. Socket No. 70 was Plug Wall No. 8. Socket No. 71 was Plug Wall No. 8. Socket No. 72 was Plug Wall No. 8. Socket No. 73 was Plug Wall No. 8. Socket No. 74 was Plug Wall No. 8. Socket No. 75 was Plug Wall No. 8. Socket No. 76 was Plug Wall No. 8. Socket No. 77 was Plug Wall No. 8. Socket No. 78 was Plug Wall No. 8. Socket No. 79 was Plug Wall No. 8. Socket No. 80 was Plug Wall No. 8. Socket No. 81 was Plug Wall No. 8. Socket No. 82 was Plug Wall No. 8. Socket No. 83 was Plug Wall No. 8. Socket No. 84 was Plug Wall No. 8. Socket No. 85 was Plug Wall No. 8. Socket No. 86 was Plug Wall No. 8. Socket No. 87 was Plug Wall No. 8. Socket No. 88 was Plug Wall No. 8. Socket No. 89 was Plug Wall No. 8. Socket No. 90 was Plug Wall No. 8. Socket No. 91 was Plug Wall No. 8. Socket No. 92 was Plug Wall No. 8. Socket No. 93 was Plug Wall No. 8. Socket No. 94 was Plug Wall No. 8. Socket No. 95 was Plug Wall No. 8. Socket No. 96 was Plug Wall No. 8. Socket No. 97 was Plug Wall No. 8. Socket No. 98 was Plug Wall No. 8. Socket No. 99 was Plug Wall No. 8. Socket No. 100 was Plug Wall No. 8.	3-7-39 C 7-5-41 D 15-12-42 E
---	------------------------------------

**NOTES**

- 1 For Power Arrangements see TG(L)1021.
- 2 For Layout of Apparatus see EC1881,1882.
- 3 For values of LR & CS see TG(L)1093, Table 3.
- 4 For 2 Wire SX.Ccts. terminals B2 and E should be strapped and the Line wires connected to terminals A1 and A2.
- 5 Filter, Frequency, should be fitted only when cct. is routed wholly or in part in a telephone cable.

Key Combs amended to Loop Lines for Local Test C.S. was 2UF. For A.C. LR B-T-36 was 3500Ω. For A.C. S 500 Ω. L.L. No was A1027. Power Socket was Socket A.	A B 7-10-37
--	-------------------



To Alarm Cct. see TG(L)1032.  
Alarm -

B2

L1

Lamp Power.

Lamp Power

+ Local - + Line - + Alarm -

+ Motor Power - E 1 2

Jack No. 60.

see Note 4  
 A1 } Sending  
 B1 }  
 A2 } Receiving  
 B2 }  
 E } Signalling Earth.