

CIRCULATION

TELEPRINTER WORKING AT NON-PANEL MOUNTED OFFICES.

DX., & 2 WAY SX., POWER ARRANGEMENTS.

TG(L)1021.
12-5-36
5 PANEL: - 1

RES BULB NO.11	7-541	E
RES CUT OUTS, RES. N.I.	25539	D
REDRAWN FIGS. 4, 5, 6, ADDED	30837	C
I.L. No. WAS A 1025 RECT. No. 26B		
RES UNIT HAS RES COIL CUT-OUT & RE-DELETED		

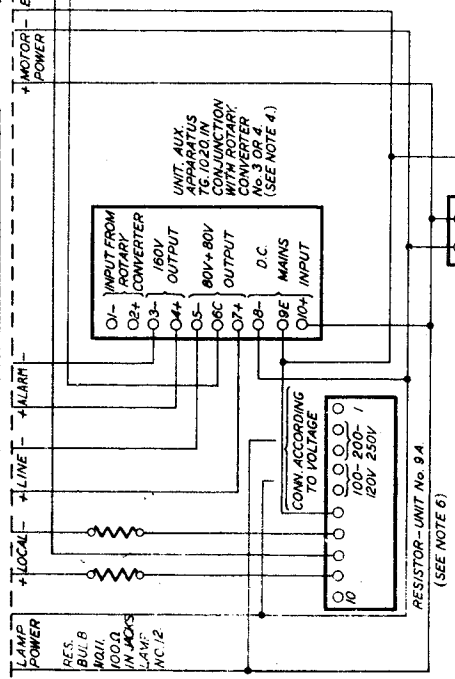


FIG. 1. D.C. MAINS SUPPLY

NOTE. THE APPARATUS PROVIDING LOCAL POWER SHOULD BE OMITTED FOR NON-RELATED CIRCUITS.

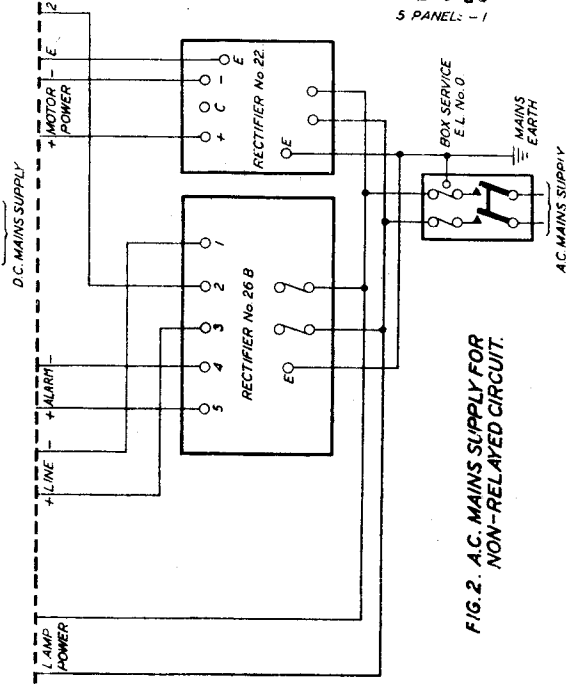
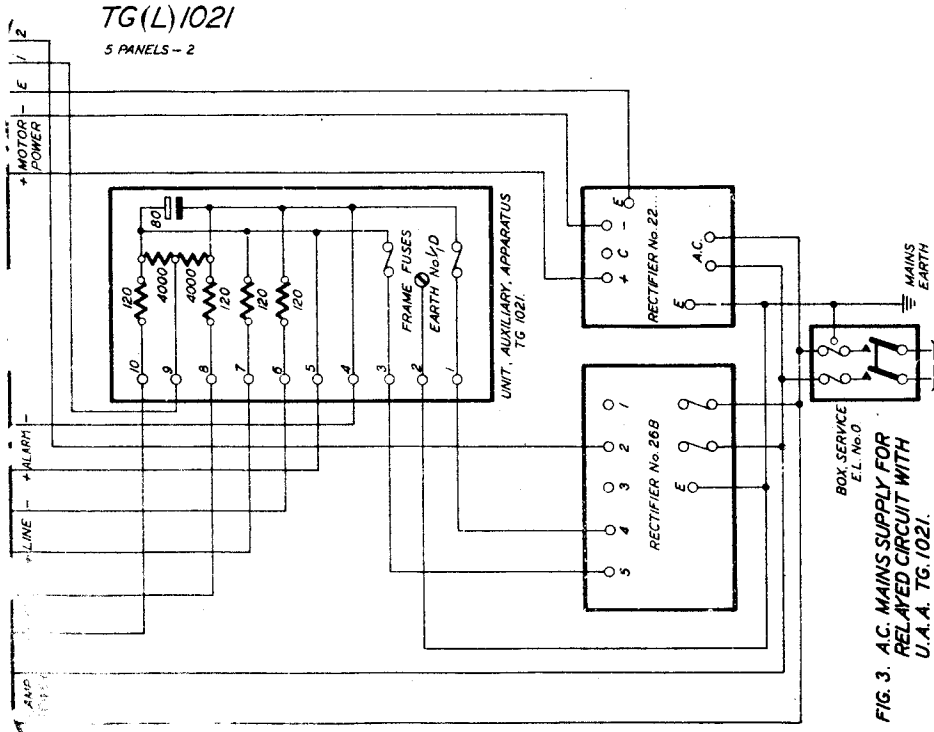


FIG. 2. A.C. MAINS SUPPLY FOR NON-RELATED CIRCUIT.



TG(L)1021
5 PANELS - 2

FIG. 3. A.C. MAINS SUPPLY FOR
RELAYED CIRCUIT WITH
U.A.A. TG.1021.

NOTES.

1. FOR CONNECTIONS OF RECTIFIER No. 22 ... SEE TG(L) 802
2. FOR CONNECTIONS OF RECTIFIER No. 268 ... SEE TG(L) 058.
3. FOR LAYOUT OF APPARATUS SEE EC 1881, 1882, 1887.
4. FOR 80V+80V SUPPLY FROM D.C. MAINS SEE TG(L)1020.
5. THE POWER SUPPLIES FOR LAMP & ALARM FACILITIES ARE REQUIRED ONLY FOR INCIDENTAL WORKING.
6. FOR CONNECTIONS OF RESISTOR—UNIT No.9A SEE TG(L)1084
7. FOR CONNECTIONS OF U.A.A. TG. 4503 SEE TG(L)4295

CIRCULATION

TELETYPE RINTER WORKING AT NON-PANEL MOUNTED OFFICES.
DX., & 2 WAY SX., POWER ARRANGEMENTS.

TG(L)1021
12-5-36
3 PANELS-3

RES. BULB MODIL WAS CUT OUT & RES. No. 1	7 5 4 E
REDRAWN FIGS 4 5 6 ADDED.	25 5 39 D
L.L. No. WAS A. 1025. RECT. No. 268 WAS No. 26 A	3/18 37 C
RES. UNIT WAS RES. COIL CUT-OUT & RES. DELETED.	

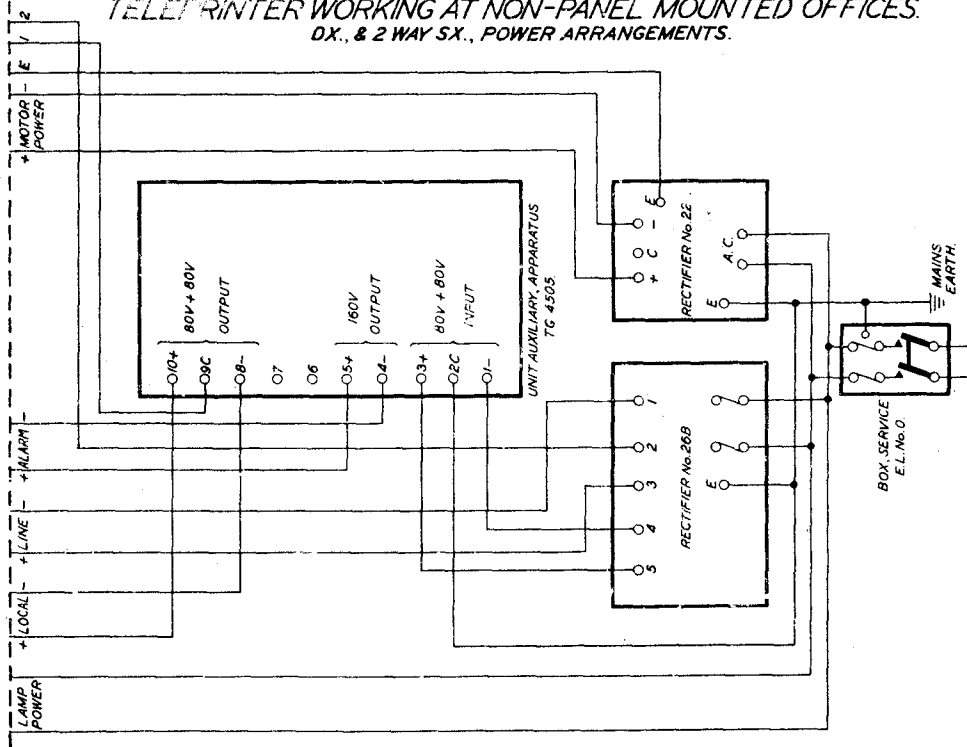
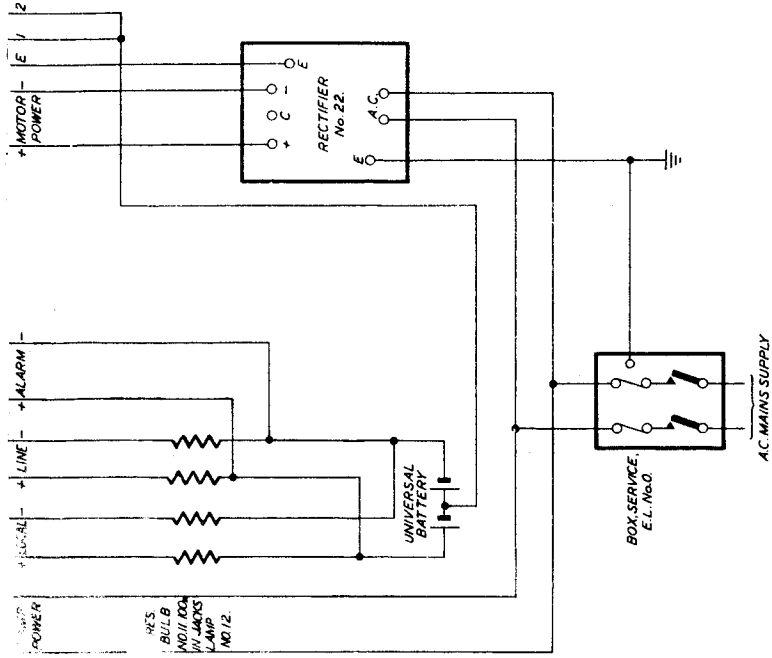


FIG. 4. A.C. MAINS SUPPLY FOR RELAYED CIRCUIT WITH U.A.A. TG. 4505.

TG(L) 1021

5 PANELS - 4



NOTE.
THE APPARATUS PROVIDING LOCAL
POWER SHOULD BE OMITTED FOR
NON-RELATED CIRCUITS.

FIG. 5. A.C. MAINS SUPPLY &
UNIVERSAL BATTERY.

