

# EQUIPMENT, TABLE TG1017. TG(L)1017 5.5.36.

TELEPRINTER P.W. EXTENSION FROM MULTI-CHANNEL V.F. SYSTEM. SUPERSEDES  
CABLING AT RENTERS PREMISES. FOR NEW WORK  
TG(L) 818.

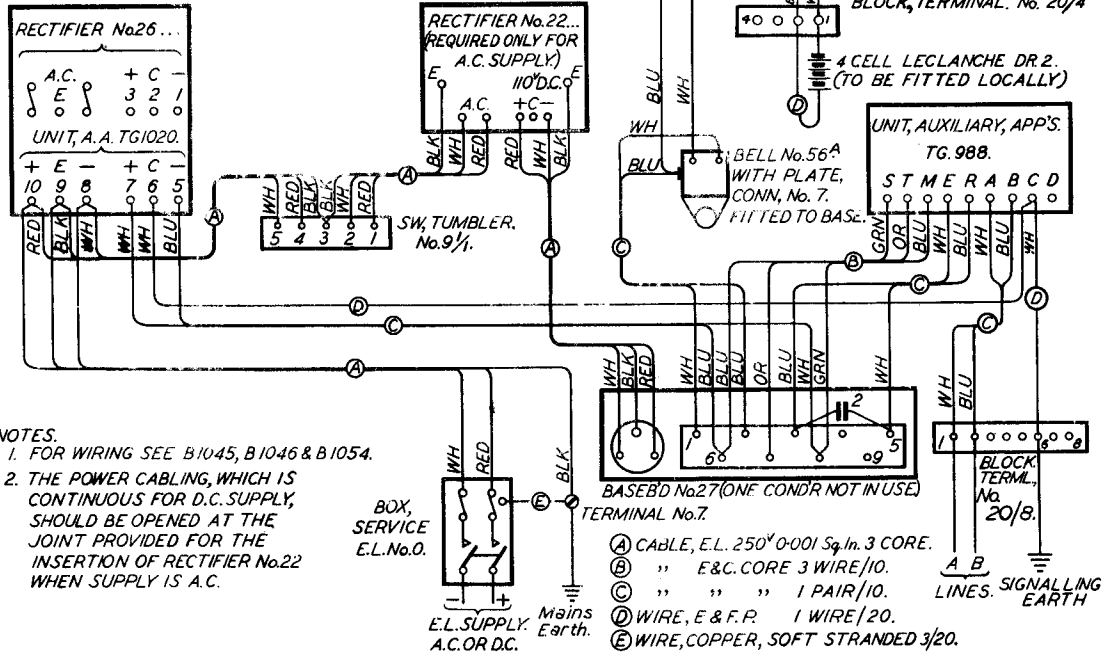
BLOCK, TERMINAL No. 20/8 needed 10-1-40  
4 CELLS IN LINE 2

A	6.7.36.
B	20.5.37
C	19.1.38

Line Terminals Redesignated.  
T.L.U. No. was B1053 Strip Lamp was  
Black Terminals Signalling Earth was  
to 70 Terminals Wire E & F.P. was E & C.C.  
Block, term. was strip, flex, cord, com.

*gsm*  
*diff. col. of W.F.*

RECTIFIER No.26<sup>A</sup> (FOR A.C. SUPPLY)  
OR UNIT, AUXILIARY, APPARATUS  
TG1020, WITH CONVERTER,  
ROTARY No.4. (FOR D.C. SUPPLY)



CIRCULATION.

GENERAL

PRINT ON BACK OF PANEL 2

15.1.40					
18.5.34					
Block Terminal No 20/4 added. 4 cells inserted.					
Redrawn, Panel 2 added. Notes 2, 3, 4 added. Alternating connections for 9/4 Sw. working shown.					
AMENDMENT.					

WHITE

RECTIFIER No 26B  
(FOR A.C. SUPPLY)  
OR UNIT AUXILIARY,  
APPARATUS TG1020  
WITH CONVERTER  
ROTARY No 4. (FOR D.C. SUPPLY)

# EQUIPMENT TABLE TG1017

TELEPRINTER P.W. ON MULTI-CHANNEL V.F. SYSTEM.

TG (L) 1017

2 PANELS - 1  
5. 5. 36  
SUPERSEDED FOR  
NEW WORK BY  
TG(L) 3525

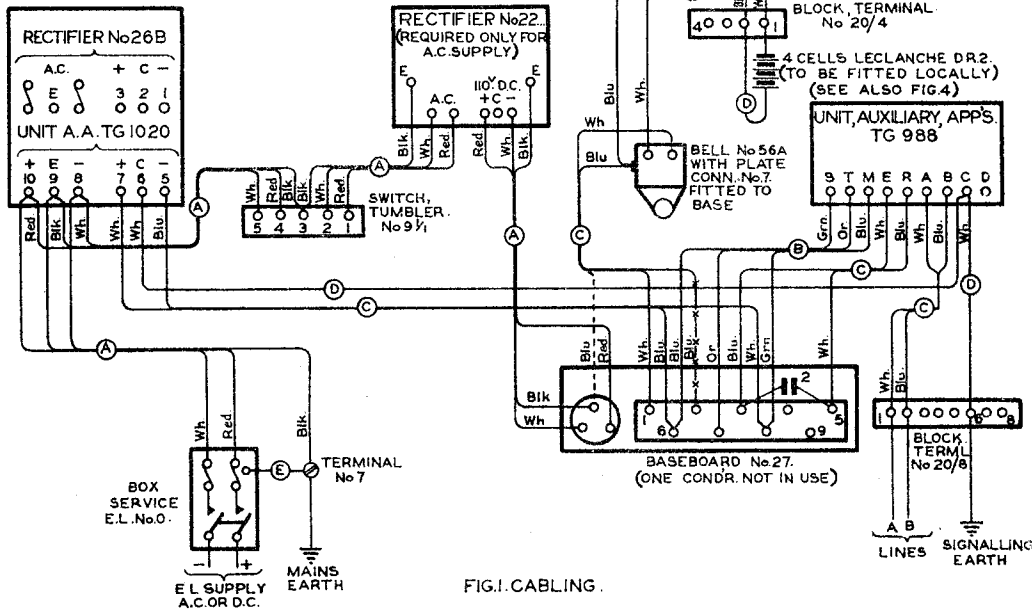


FIG. 1. CABLING.

# TG(L) 1017

2 PANELS-2

## NOTES.

1 THE POWER CABLEING WHICH IS CONTINUOUS FOR D.C. SUPPLY SHOULD BE OPENED AT THE JOINT PROVIDED FOR THE INSERTION OF RECTIFIER No 22. WHEN SUPPLY IS A.C.

2 —x—x— INDICATES ORIGINAL CONNEXIONS REPLACED BY ----- WHEN MODIFIED FOR USE WITH TELEPRINTER WIRED FOR S/R SWITCH LOCAL RECORD

3 KEY No 68 AND LAMP No 2-6V TO BE MOUNTED IN BASEBOARD No 27B WHICH WILL REPLACE BASEBOARD No 27.

### 4. CABLE DESIGNATIONS:-

- (A) CABLE EL. 250V. 0.0015Q IN. 3 CORE.
- (B) " " " " " E & C CORE 3 WIRE/10.
- (C) " " " " " " " 1 PAIR/10
- (D) WIRE E & F P 1 WIRE/20
- (E) WIRE COPPER SOFT STRANDED 3/20

5. FOR A C SUPPLY THE BELL COILS SHOULD BE CONNECTED IN PARALLEL THE TRANSFORMER No 92C SHOULD BE SUPPLIED & FITTED LOCALLY SEE DIAG TG1720 FOR MOUNTING DETAILS WHEN WORKING WITH CELLS LECLANCHE THE BELL COILS SHOULD BE CONNECTED IN SERIES.

6. FOR MODIFICATION TO OBTAIN LOCAL RECORD VIA SEND-RECEIVE SWITCH SEE TG(L) 3512.

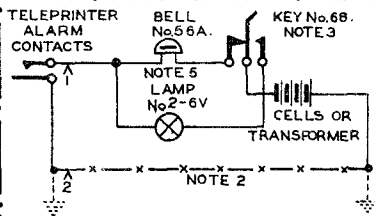
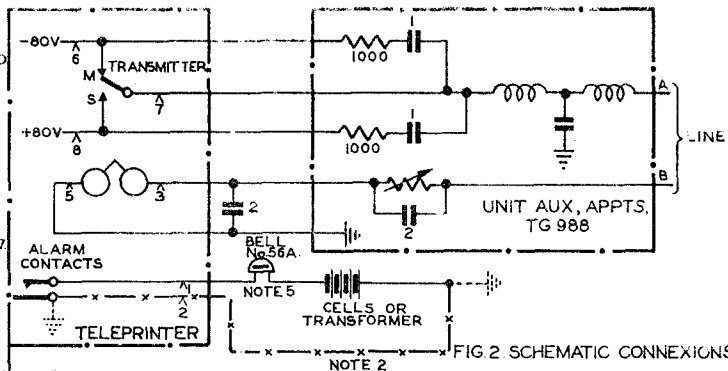


FIG. 3. CONNEXIONS FOR ALTERNATIVE LAMP OR BELL CALLING SIGNAL

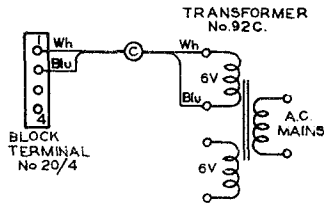


FIG. 4. ALTERNATIVE BELL SUPPLY FROM A.C. MAINS. NOTE 5.