

H.E.S. No.4
 CIRCUIT ELEMENTS.
 NON-MULTIPLE EXTENSIONS.
 EXCHANGE LINE RINGING,
 SPEECH AND HOLDING CIRCUITS,
 AND RECALL CIRCUIT.

FIG.1 EXCHANGE LINE RINGING CIRCUIT WHEN SWITCHED FOR NIGHT SERVICE.

FIG.2 NON-MULTIPLE EXTENSION ENGAGING EXCHANGE LINE 1.

FIG.3 RECALL. NON-MULTIPLE EXTENSION HOLDING EXCHANGE LINE 1 AND CALLING MAIN STATION.

NOTES:

1. These elements apply to a system with 2, 3 or 4 Extensions. For full details of Apparatus, Cable Connexions, etc. shown in these circuit elements see relevant diagrams.

Item	Dgm. Q ...
Box, Connexion No.6A	510
Connector No.1046...	} 540
Telephone, Intercom No.4/1	
Multiple Cable Connexions	503
Non-multiple Extension	550
Relay Unit Q 516	516
Relay Unit Q 519	519
Control Unit Q 537	537

2. Circuit operation notes for a Non-multiple Extension are shown on Dgm. Q 519.

P.O.E.D. S BCH.	ISSUE		
PAPER: W CIRC'LTN: GENERAL.		<i>B.H.</i>	S1/3. TD1/4.

SPARE

FIG. 1. RINGING CIRCUIT WHEN SWITCHED FOR NIGHT SERVICE

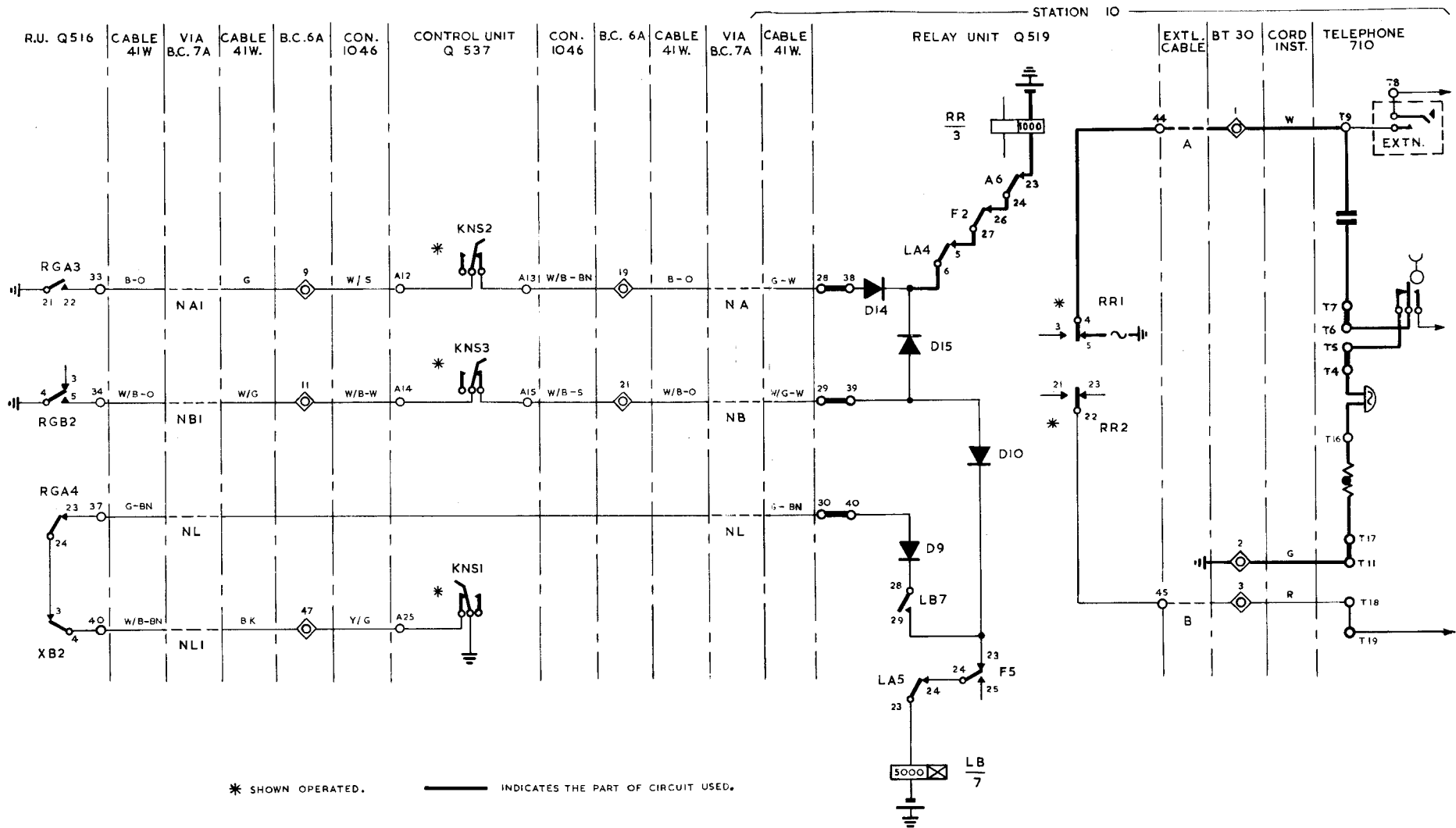
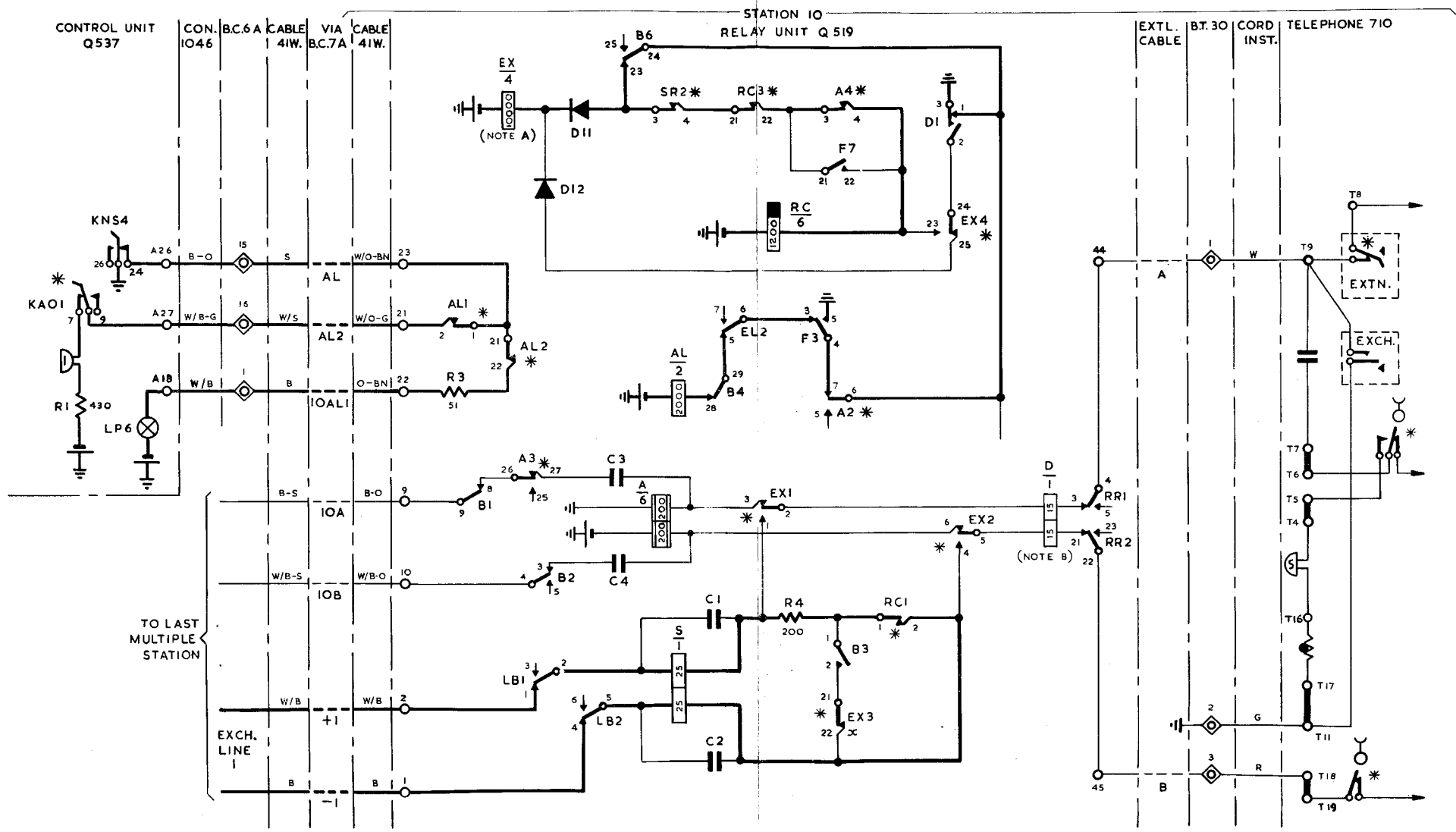


FIG. 3. RECALL. NON-MULTIPLE EXTENSION HOLDING
EXCHANGE LINE 1 AND CALLING MAIN STATION.



NOTES :-

- A. Relay EX is normally operated.
- B. Relay D is operated only when 'EXCH.' button is pressed.

* SHOWN OPERATED.

— INDICATES THE PART OF CIRCUIT USED.