

CIRCUIT ELEMENTS

NON-MULTIPLE EXTENSIONS, INTERCOM SPEECH
AND SIGNALLING CIRCUITS

- FIG.1 NON-MULTIPLE EXTENSION CALLS MAIN STATION
- FIG.2 MULTIPLE STATION CALLING NON-MULTIPLE EXTENSION
- FIG.3 MULTIPLE STATION SPEAKING TO NON-MULTIPLE EXTENSION
- FIG.4 NON-MULTIPLE EXTENSION SPEAKING TO NON-MULTIPLE EXTENSION.

NOTES:

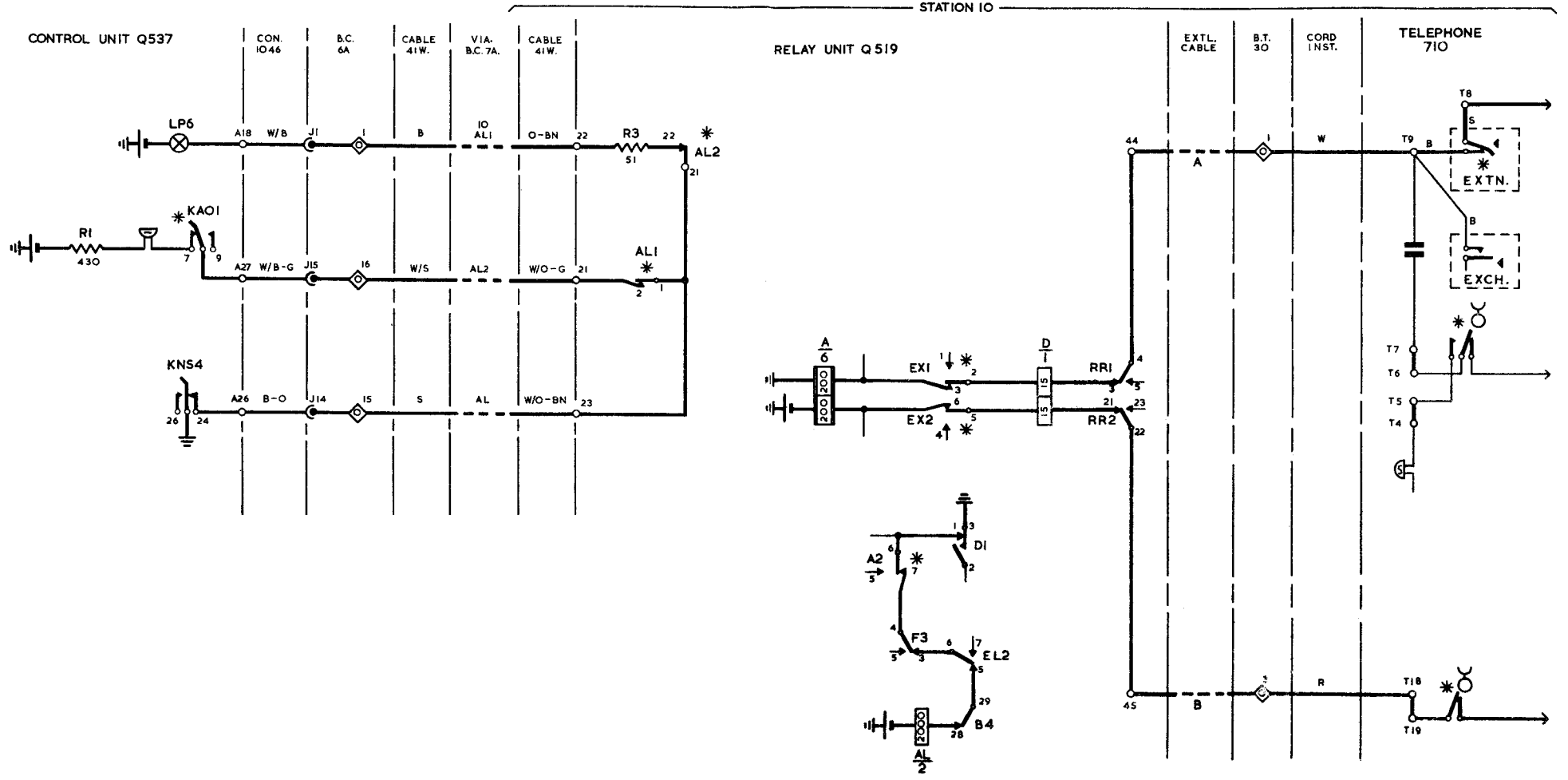
1. These elements apply to a System with 2, 3 or 4 Extensions. For full details of items of Apparatus, Cable Connexions etc. shown in these circuit elements see relevant diagrams.

ITEM	DGM. Q...
Box Connexion No.6A	570
Connector No.1046 ...	} 540
Telephone Intercom No.4/1	
Multiple Cable Connexions	503
Non-Multiple Extension	550
Relay Unit Q 519	519

P.O.E.D. S BCH.			
PAPER: W CIRC'L TN: GENERAL	ISSUE	<i>[Signature]</i> S1/3.	1.11.67.

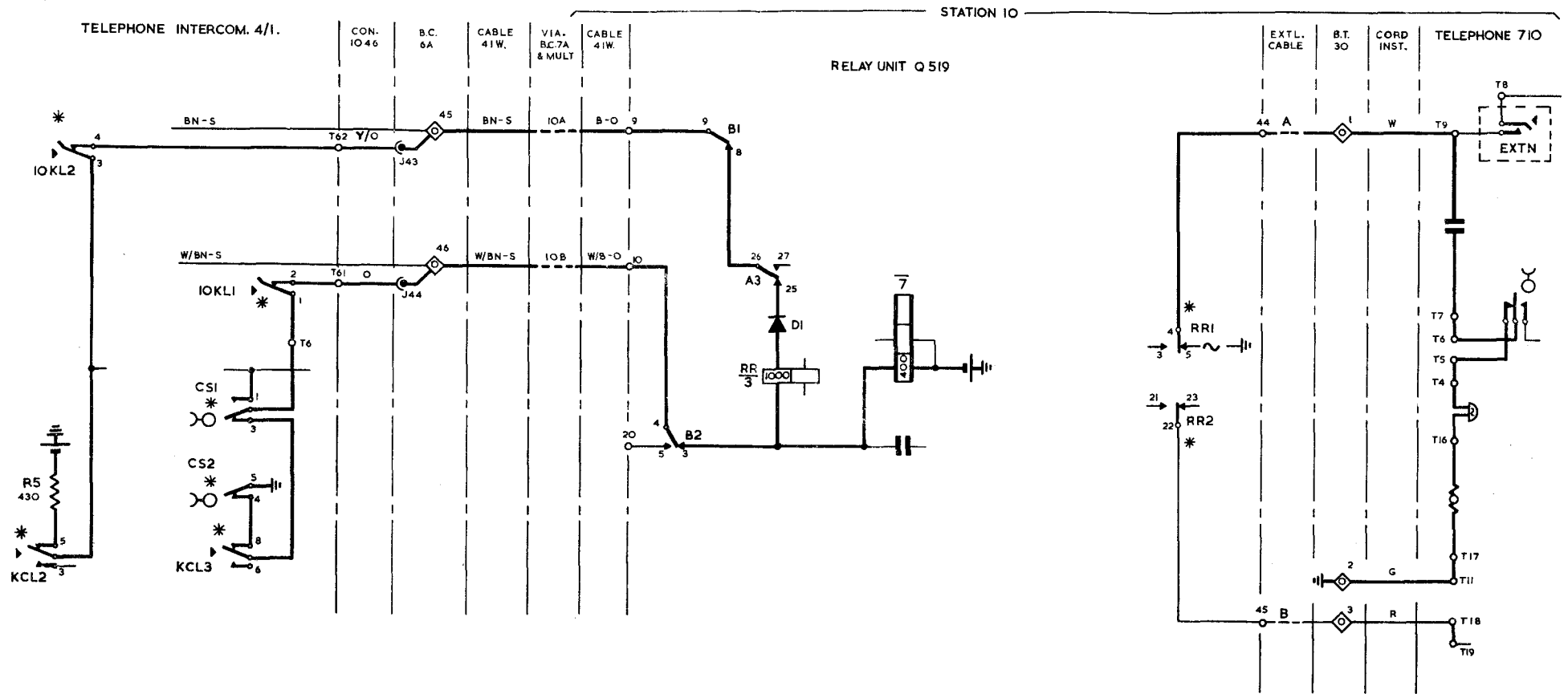
SPARE

FIG. I. NON-MULTIPLE EXTENSION CALLS MAIN STATION.



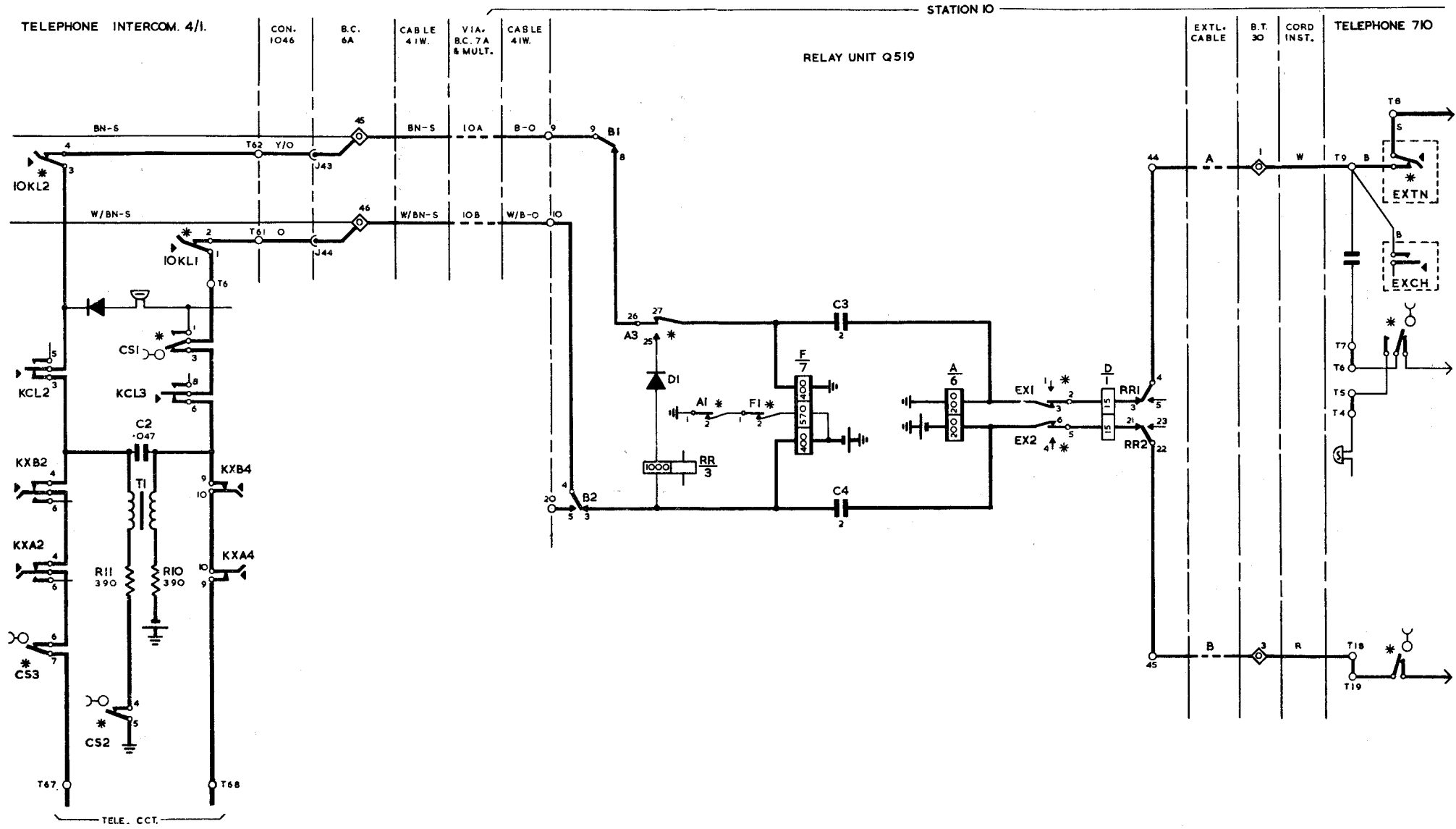
* SHOWN OPERATED. — INDICATES THE PART OF CIRCUIT USED.

FIG. 2. MULTIPLE STATION CALLING
NON-MULTIPLE EXTENSION.



* SHOWN OPERATED. — INDICATES THE PART OF CIRCUIT USED

FIG.3. MULTIPLE STATION SPEAKING TO NON-MULTIPLE EXTENSION.



* SHOWN OPERATED. — INDICATES THE PART OF CIRCUIT USED.

FIG. 4. NON-MULTIPLE EXTENSION SPEAKING TO NON-MULTIPLE EXTENSION.

