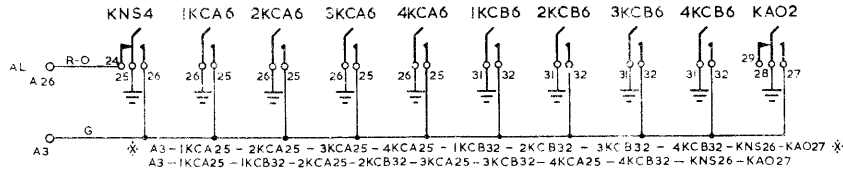


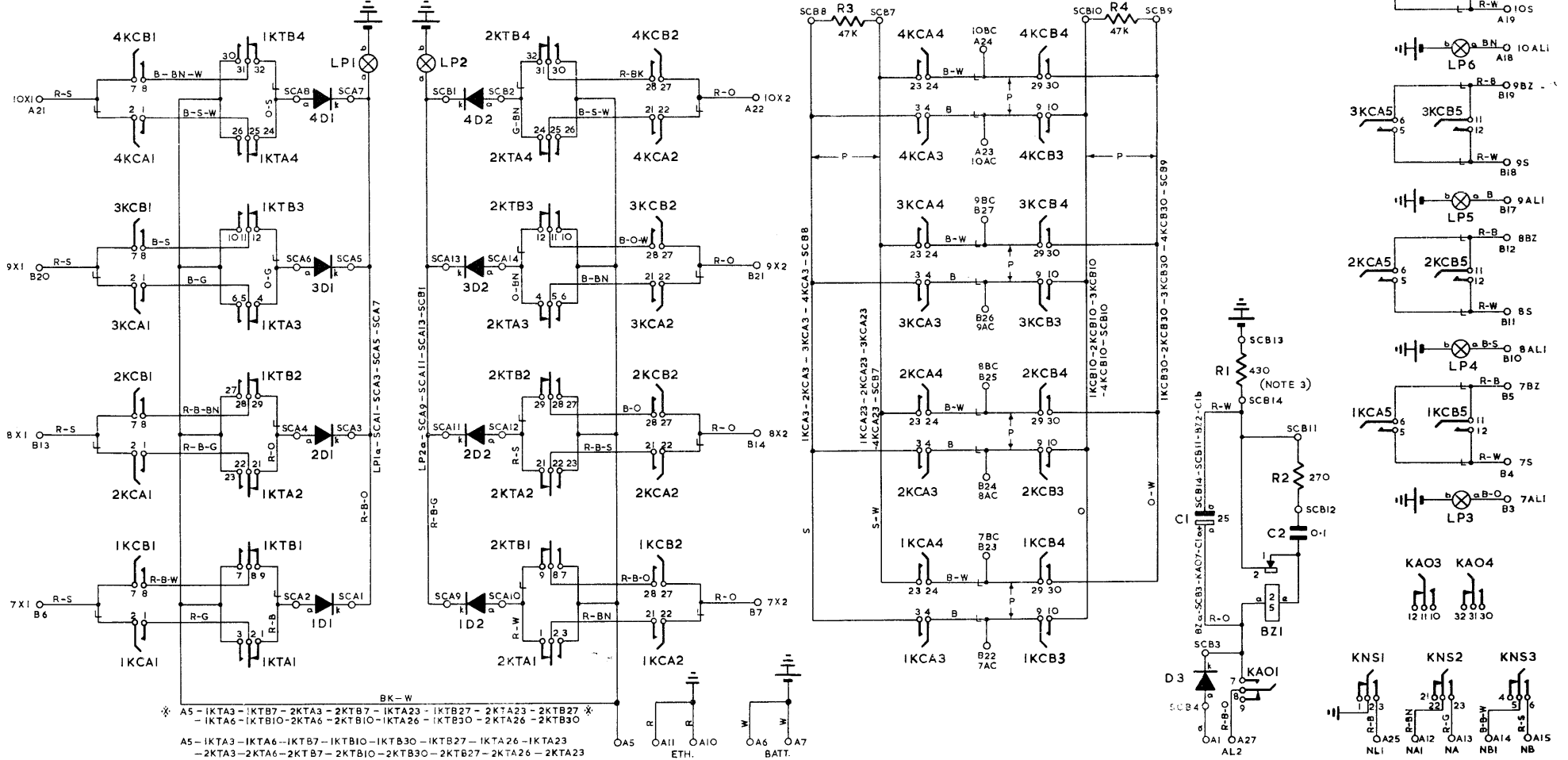
FIG. 1

H.E.S. No. 4
CONTROL UNIT Q537



BATT, W: A6 - A7 - LP1b - LP2b - LP7b - LP8b - LP9b - LP10b - SCB13
 * ETH, R: A10-A11 - 1KCA26 - 2KCA26 - 3KCA26 - 4KCA26 - 1KCB31 - 2KCB31 *
 - 3KCB31 - 4KCB31 - KNS2 - KNS25 - KAO2B
 ETH, R: A10-A11 - 1KCA26 - 1KCB31 - 2KCA26 - 2KCB31 - 3KCA26 - 3KCB31
 - 4KCA26 - 4KCB31 - KNS2

* WIRING RUNS SHOWN THUS WERE USED ON EARLY ISSUES.



* A5 - 1KTA3 - 1KTB7 - 2KTA3 - 2KTB7 - 1KTA23 - 1KTB27 - 2KTA23 - 2KTB27 *
 - 1KTA6 - 1KTB10 - 2KTA6 - 2KTB10 - 1KTA26 - 1KTB30 - 2KTA26 - 2KTB30
 A5 - 1KTA3 - 1KTA6 - 1KTB7 - 1KTB10 - 1KTB30 - 1KTB27 - 1KTA26 - 1KTA23
 - 2KTA3 - 2KTA6 - 2KTB7 - 2KTB10 - 2KTB30 - 2KTB27 - 2KTA26 - 2KTA23

COMPONENTS	
CODE	ITEM
BZ1	BUZZER No. 2B
C1	CAPACITOR, ELECTROLYTIC No. 3145
C2	CAPACITOR, PAPER No. 7533
LP1-6	LAMP No. 2-45V
D1-3	VALVE, ELECTRONIC CV8308
R1	RESISTOR, COIL No. 40A, 430 Ω
R2	RESISTOR, CARBON No. 26 GC, 270 Ω
R3-4	RESISTOR, CARBON No. 26 KD, 47K Ω

TRANSFER 1 (1KTA) +	TRANSFER 1 (1KTB)	TRANSFER 2 (2KTA) +	TRANSFER 2 (2KTB)
4	4	4	4
CONN & TEST (1KCA)	CONN & TEST (1KCB)	CONN & TEST (2KCA)	CONN & TEST (2KCB)
6	6	6	6
CONN & TEST (3KCA)	CONN & TEST (3KCB)	CONN & TEST (4KCA)	CONN & TEST (4KCB)
6	6	6	6
NIGHT SERVICE (KNS)		+ ALARM OFF (NORMAL) + ALARM ON (KAO)	
4		4	

P.O.E.D.
S. B.CH.

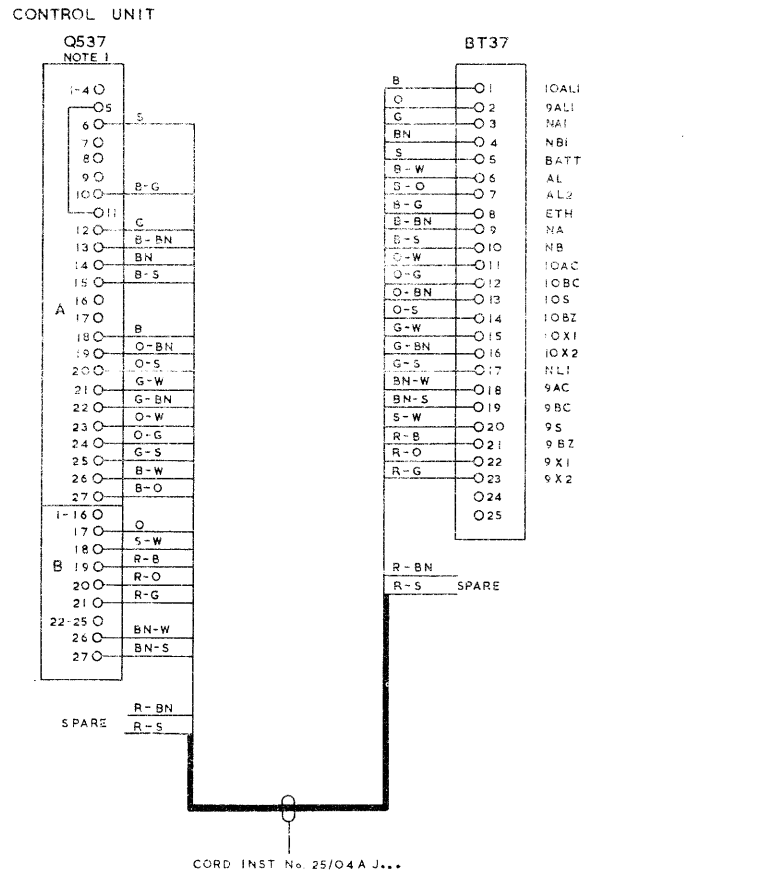
PAPER: W

CIRCULATION
GENERAL

ISSUE	DESCRIPTION	DATE
A	WIRING RUNS SHOWN & CHANGED. R1 WAS 680 Ω	12.5.67.
		14.7.66.

FIG2 CORD CONNEXIONS

FIG.2A TWO NON-MULTIPLE EXTENSIONS, OR PRIVATE CIRCUITS, OR INTER-SWITCHBOARD CIRCUITS.



NOTES:-

1. TERMINALS A6 - A7 & A10 - A11 ARE STRAPPED ON REAR OF TERMINAL TABLET. STRAP TERMINALS A5 - A11.
2. TERMINALS 13 - 14 & 17 - 18 ARE STRAPPED ON REAR OF TERMINAL TABLET (B.C.6A)
3. RI WAS 680 μ L ON EARLY ISSUES.

FIG. 2B THREE, OR FOUR, NON-MULTIPLE EXTENSIONS, OR PRIVATE CIRCUITS OR INTER-SWITCHBOARD CIRCUITS.

