

H.E.S. No. 4
EXCHANGE SERVICE RESTRICTED
RELAY UNITS Q 527 AND Q 528 (NOTE 1)

Q 527
PAGE 1-6
ISSUE B

NOTES:-

1. RESTRICTED SERVICE AT MULTIPLE STATIONS

Relay Units Q527 (Restrict Exchange Line 1) and Q528 (Restrict Exchange Line 2) are identical, except for the shape of the metal mounting bracket. Relay Unit Q527 mounts above the left hand bell gong (viewed from the front of the telephone) and Q528 above the right hand bell gong. To install, remove the bell gong fixing screw, place unit over gong securing plate and replace screw. Connect flexible leads, on underside of telephone terminal block, as shown on fig. 2 and secure the leads to prevent interference with other components.

Transfer the following Connector No. 1046A cord conductors on the telephone terminal block

	Conductor Colour	From Terminal	To Terminal
EXCH. LINE 1	W/B	T31	T30
	W/O	T29	T28
EXCH. LINE 2	W/G	T27	T26
	W/BN	T25	T24

Remove straps from between terminals, T8 and T9 for Exch. Line 1 restriction and T7 and T8 for Exch. Line 2 restriction.

See note 3 for changes to interstation cable connexions

2. MODIFICATION TO MAIN STATION TELEPHONE

Fit Switches No. 5A-4 in positions 'A' and 'D' of the telephone if plungers are not fitted to the latch plate bracket. Parts 1/DPL/380 (Plunger) and 1/DSP/1500 (Spring) should be provided locally. Connect switches as shown on fig. 2. Remove the dummy buttons from the telephone cover and fit Parts 4/DBU/355 and 5/DBU/355 in positions 'A' and 'D' respectively. Parts 1/DPI/205 should be used to secure the buttons.

See note 3 for changes to interstation cable connexions.

3. AT ALL MULTIPLE STATIONS

In Box Connexion No. 6A terminate spare 'B-G' and 'W/B-G' multiple wires on terminals 23 and 24 respectively. Other connexions are unaltered and are as shown on Dgm. Q503 and Q540.

4. RESTRICTED SERVICE AT NON MULTIPLE EXTENSIONS

Relay Units Q527 and Q528 are not required to restrict exchange line service at non multiple extensions. Rearrangement of the cable connexion to the existing Relay Unit Q516 and Q519 give the required facility.

5. INSTALLATION WITH ONE NON MULTIPLE EXTENSION

In Box Connexion No. 7A transfer 'G-Gy' and 'W/G-Gy' wires incoming from Relay Unit Q519, from terminals 41 and 43 to terminals 77 and 78. Terminate the spare multiple wires as shown on fig. 4A.

In Relay Unit Q519 strap terminals 36-46 and 37-47. The arrangements at the main station are as in note 2. The spare "B-G" and "W/B-G" multiple wires should be terminated at all multiple stations as required by note 3.

6. INSTALLATION WITH TWO OR MORE MULTIPLE EXTENSIONS

In Box Connexion No. 7A, Block 'B' transfer "G-Gy" and "W/G-Gy" wires incoming from Relay Unit Q519, from terminals 37 and 39 to terminals 77 and 78. Terminate spare multiple wires as shown on fig. 4B.

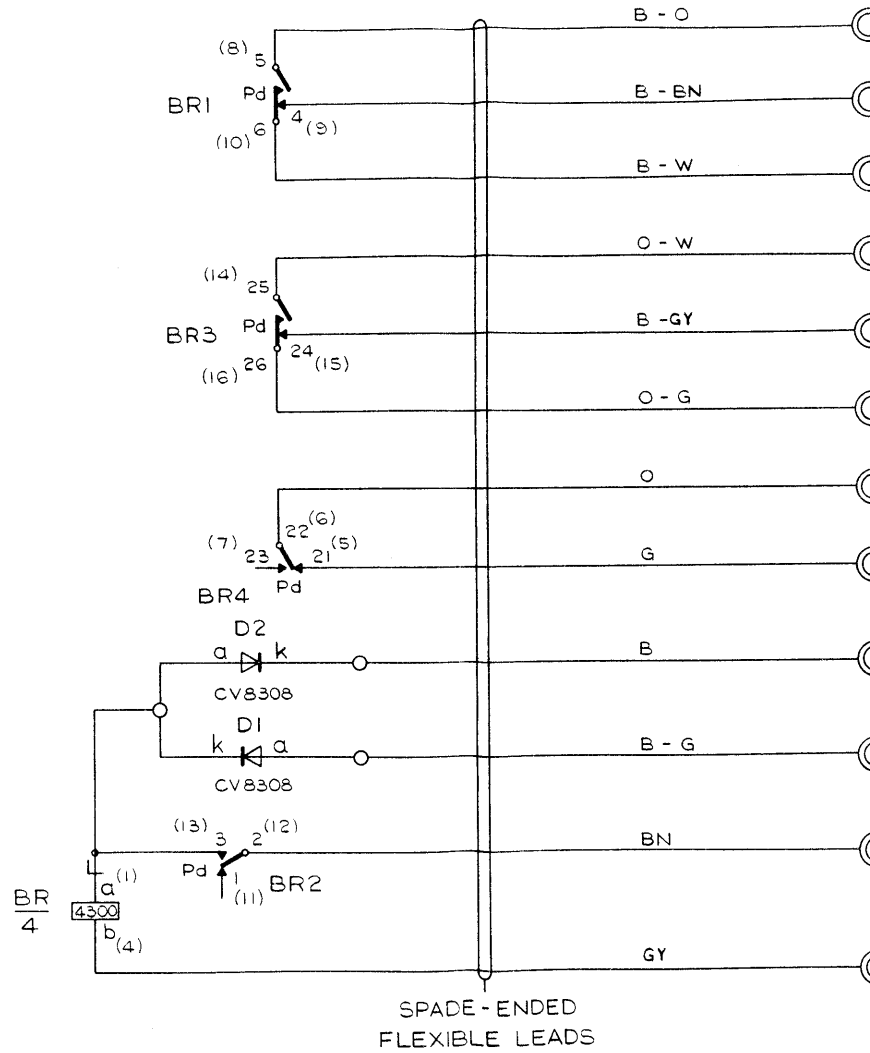
In Relay Unit Q519 strap terminals 36-46 and 37-47. The arrangements at the main are as in note 2 and at the multiple stations as in note 3.

The circuit operation for restricted service at non multiple extensions is described in Dgm. Q519.

TI reference C3C3036.

PO TELECOMMS HQRS COLOUR:- W DISTN:- GENERAL	ISSUE	B	ALTERNATIVE RELAY (MK 2) ADDED. NOTES REVISED <i>SP</i> TD 7.2.3.	10.6.74
		A	NOTES 3 & 5 AND FIGS. 4A, 4B & 5 AMENDED NOTE 6 ADDED W.H.P	29.4.68

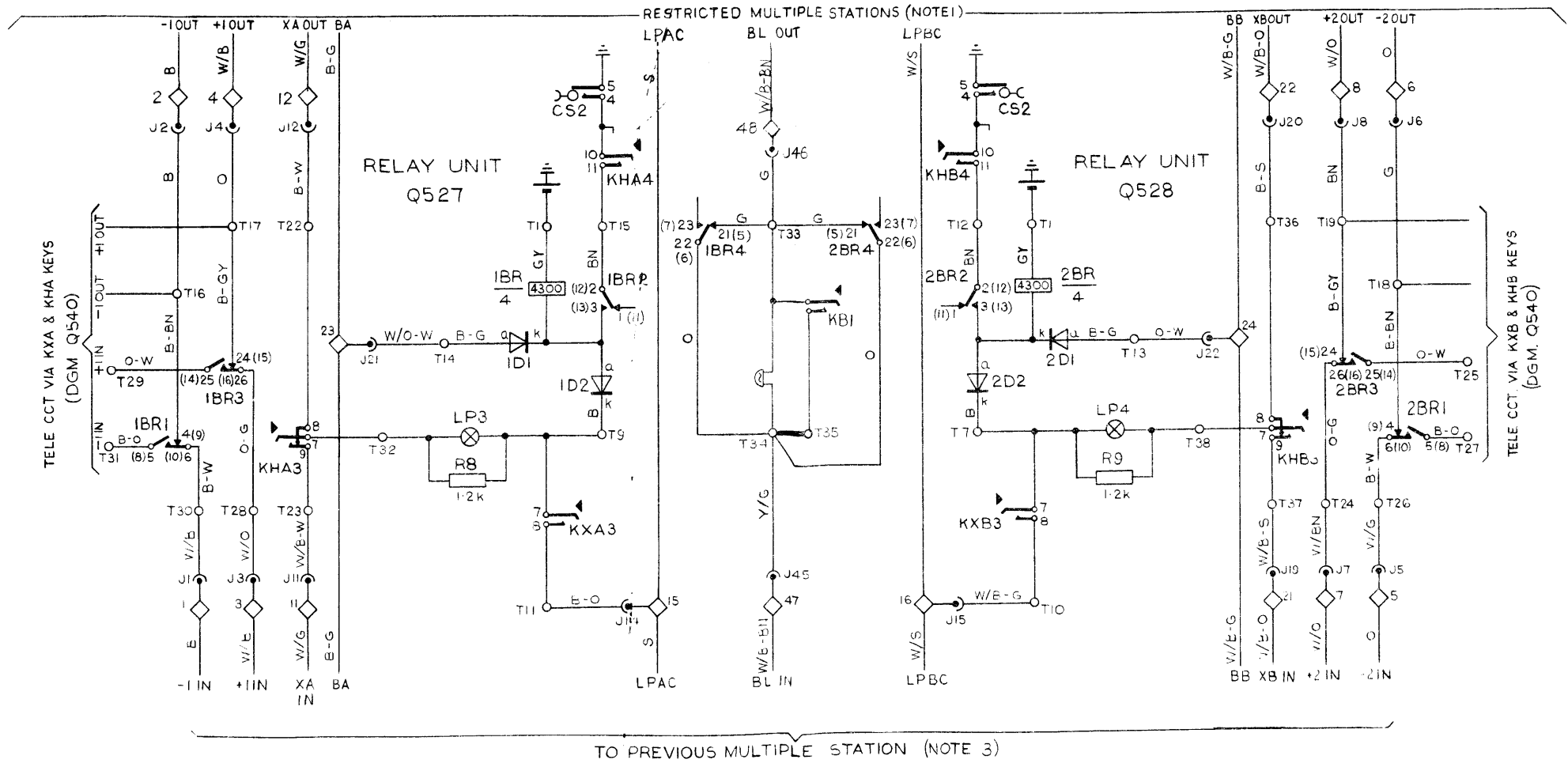
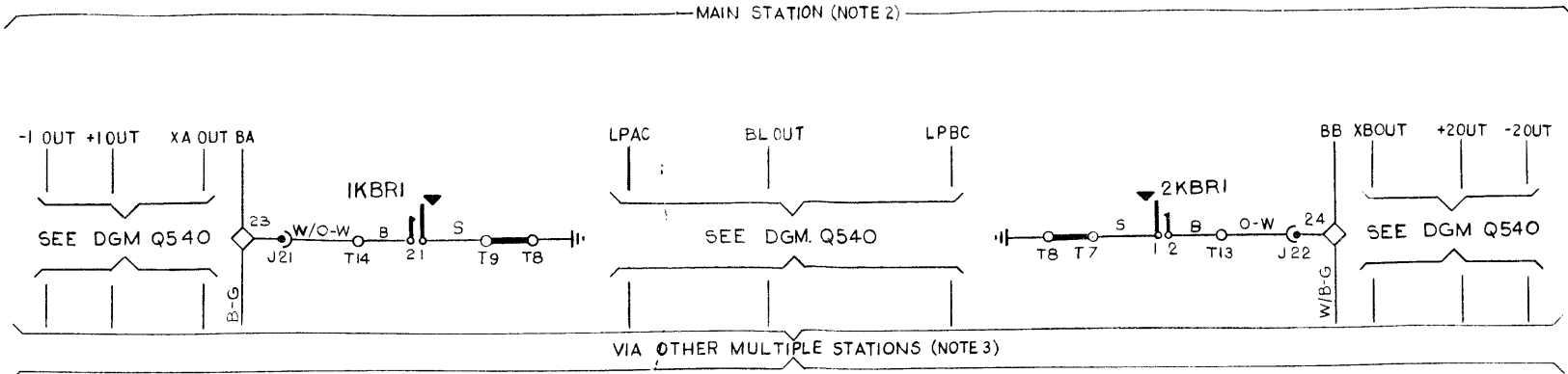
FIG 1
RELAY UNITS Q527 AND Q528
MK_s1 AND MK_s2 WIRING



RELAY UNITS Q527 MK1 AND Q528 MK1 INCLUDE RELAY N° 16/1

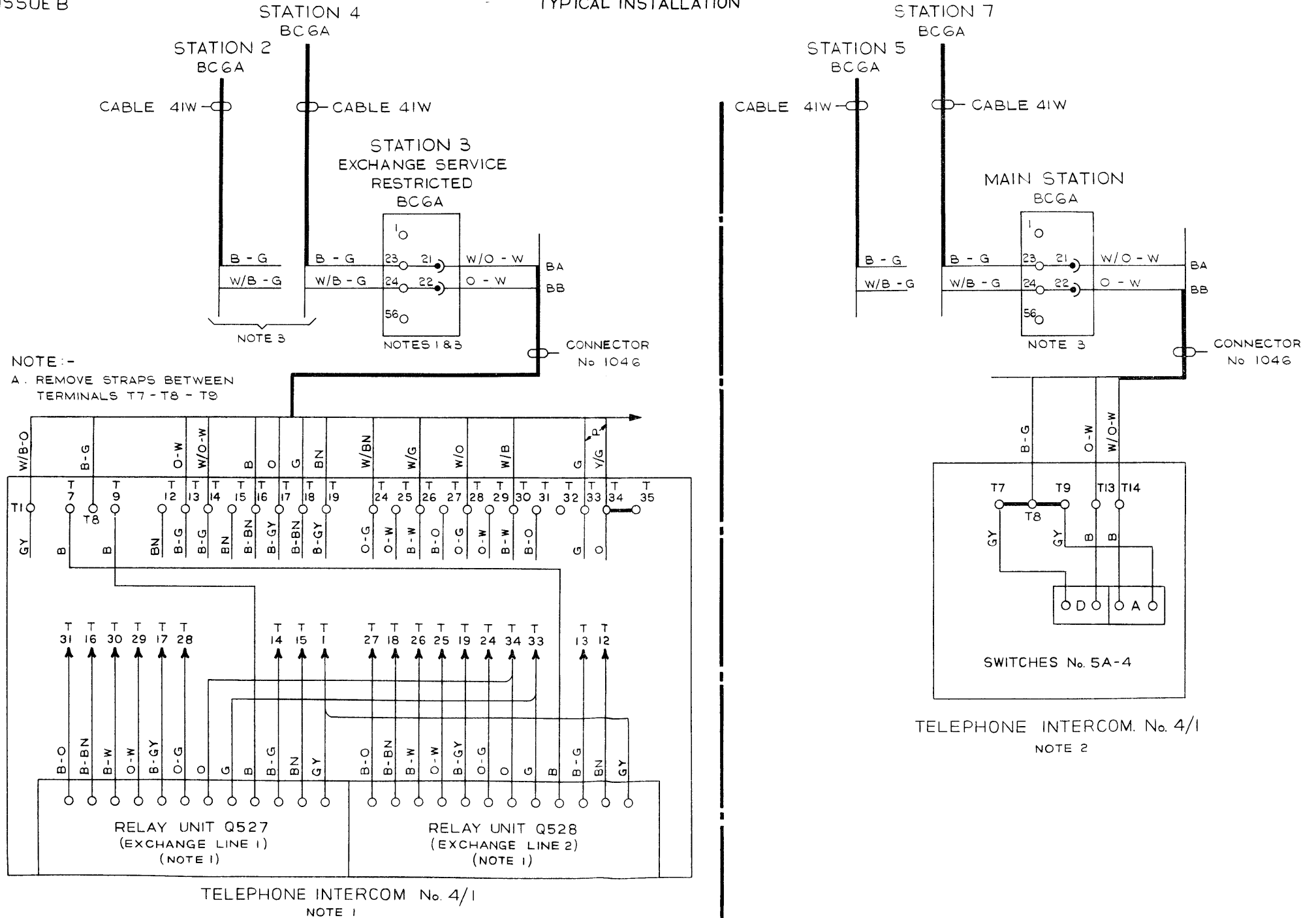
RELAY UNITS Q527 MK2 AND Q528 MK2 INCLUDE RELAY N° 23/6
CONTACT SPRING NUMBERS OF THIS RELAY ARE SHOWN IN
BRACKETS THE COIL RESISTANCE IS 1800 OHMS

FIG.3 RESTRICTED EXCHANGE SERVICE AT MULTIPLE STATION



◇ BOX CONNEXION TERMINALS

FIG 2
MULTIPLE STATION WIRING
TYPICAL INSTALLATION



RESTRICTED EXCHANGE SERVICE
NON-MULTIPLE EXTENSION, WIRING

FIG 4A
INSTALLATION WITH ONE NON-MULTIPLE EXTENSION

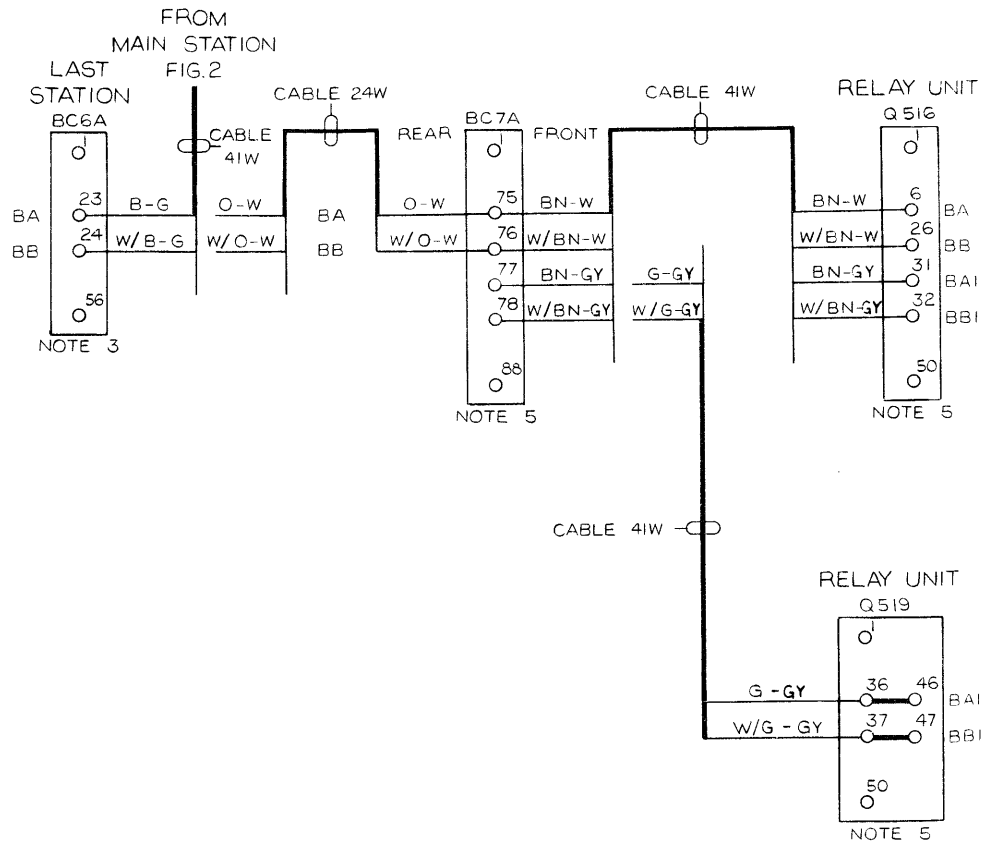


FIG. 4B
INSTALLATION WITH TWO OR MORE NON-MULTIPLE EXTENSIONS

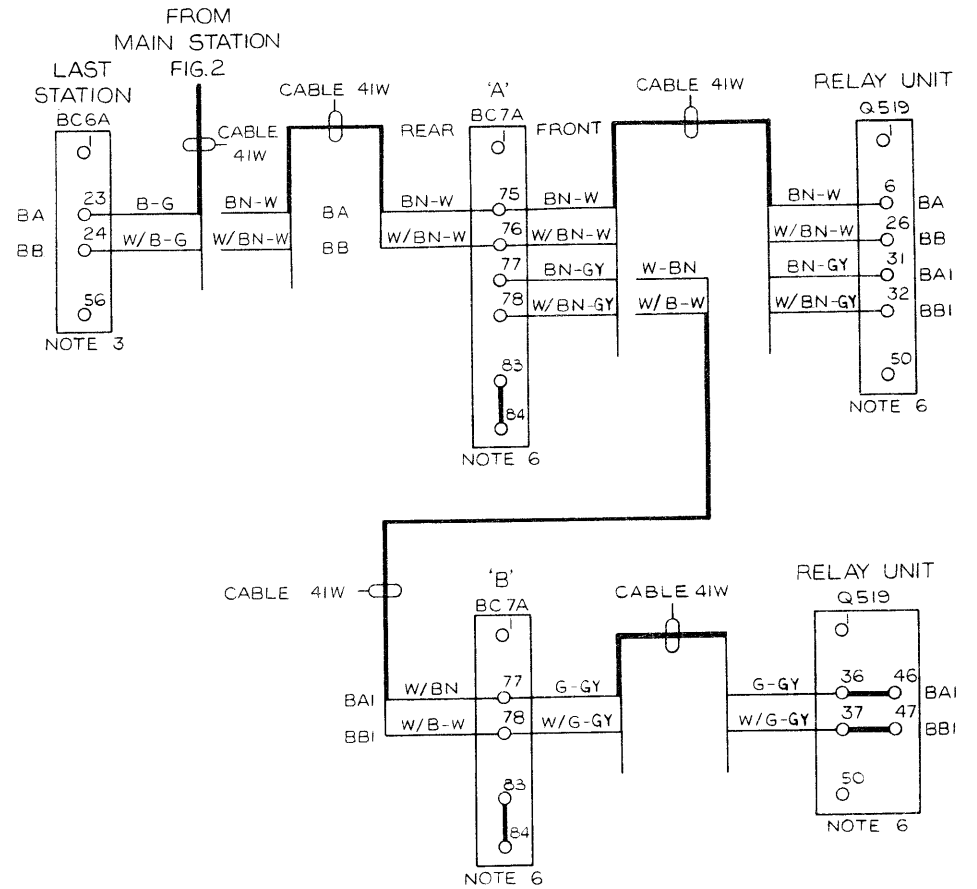
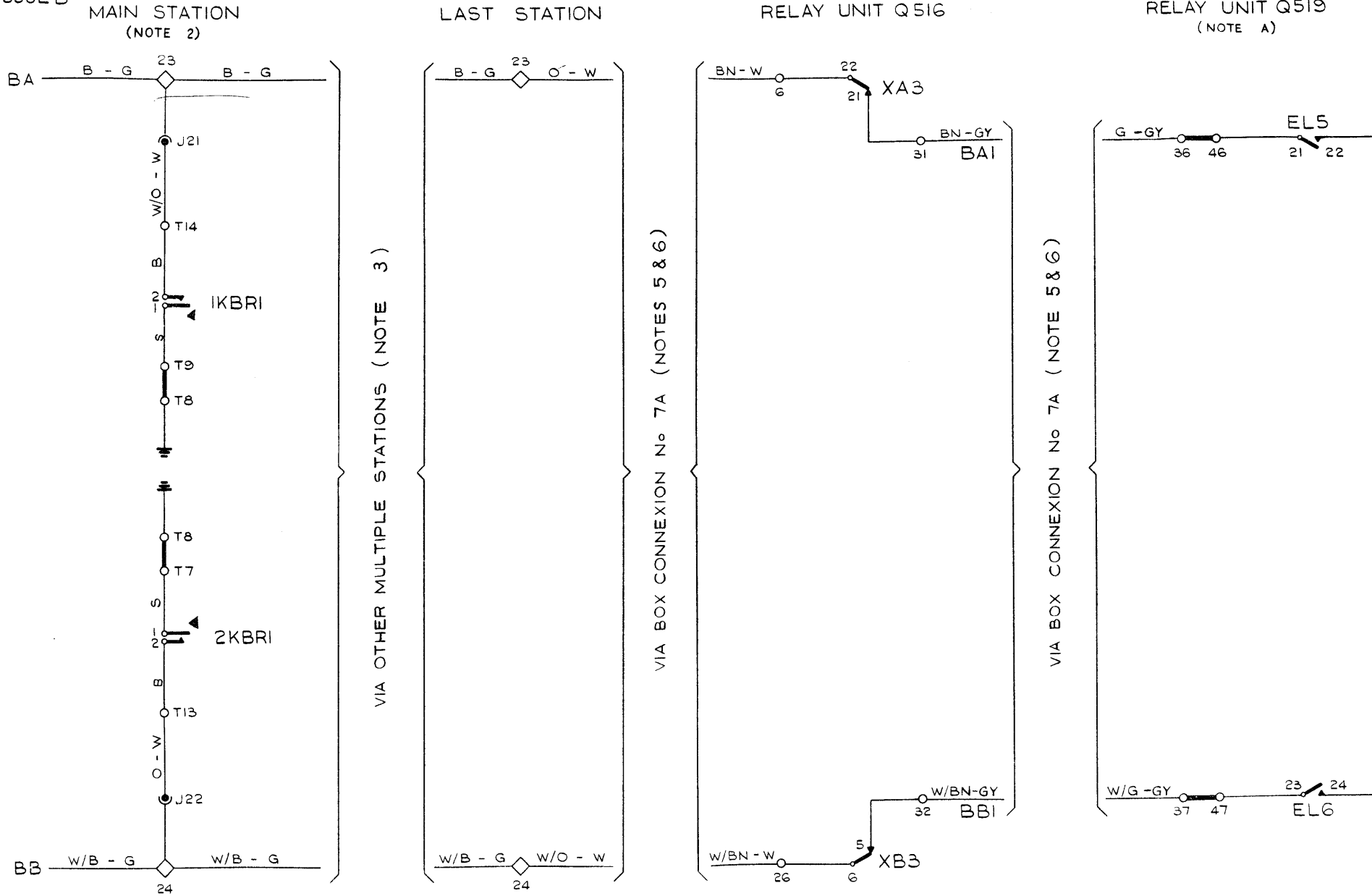


FIG 5
RESTRICTED EXCHANGE SERVICE NON-MULTIPLE EXTENSION



NOTES

A. DETAIL OF CIRCUIT AND METHOD OF OPERATION IS GIVEN IN DGM. Q519