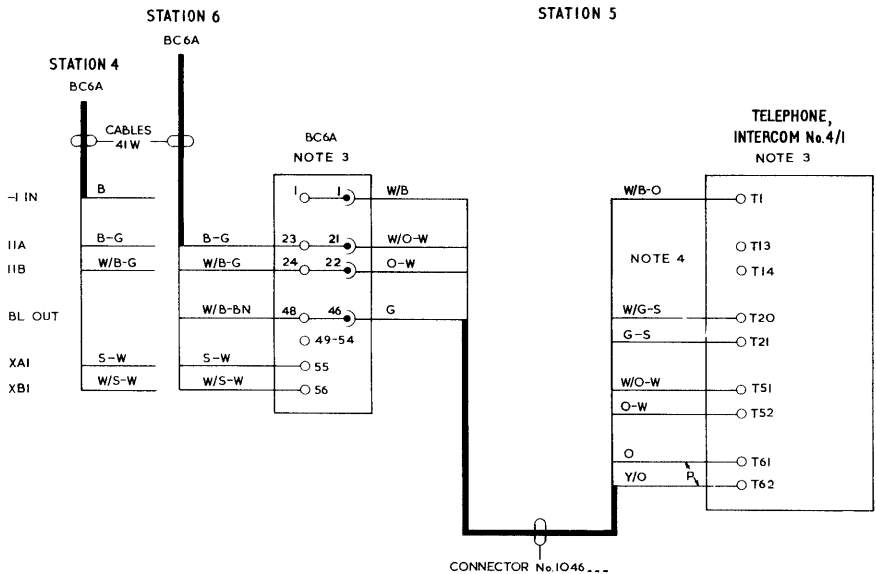


**NOTES :-**

1. THE ELEVENTH STATION MUST BE A MULTIPLE STATION.
2. AT A STATION, WHICH IS "EXCHANGE SERVICE RESTRICTED", OR WHICH CONTROLS OTHER E.S.R. STATIONS, THE CONNECTOR No.1046... MUST BE REPLACED BY A CONNECTOR No.1052. USE 'SPARE 'Y/BN' AND 'BN' CONDUCTORS (B.C.6A TERMINALS 49 & 50), FOR ELEVENTH STATION CIRCUIT.
3. OTHER CONNEXIONS ARE UNALTERED AND ARE AS SHOWN ON DGMS.Q(L) 503, 510 & 540.
4. SHIFT O-W AND W/O-W CORD CONDUCTORS, IN ALL STATION TELEPHONES, FROM TERMINALS T13 & T14 TO THE TERMINALS SHOWN BELOW.

STATION NUMBER	W/O-W TO TERMINAL	O-W TO TERMINAL
1	T43	T44
2	T45	T46
3	T47	T48
4	T49	T50
5	T51	T52
6	T54	T53
7	T56	T55
8	T58	T57
9	T60	T59
10	T62	T61
11	T20	T21

TYPICAL (STATION 5)



P.O.E.D.	ISSUE		
S BCH.			
PAPER : W			
CIRCULATION : GENERAL		<i>[Signature]</i>	13.10.66.