

NOTES:-

1. OTHER MULTIPLE STATIONS MAY BE ARRANGED AS SHOWN IN FIGS. 1 & 2 OF THIS DIAGRAM, OR FIG. 1 OF DGM. Q(L)502.
2. TERMINALS 13 & 14 AND 17 & 18 TO BE STRAPPED ON REAR OF TERMINAL TABLE, (BC7A).
3. TERMINALS 13 & 14 AND 17 & 18 ARE CONNECTED BY SOLDERED STRAPS ON REAR OF TERMINAL TABLE, (BC6A).

P.O.E.D	ISSUE	<i>[Signature]</i>	3.5 6g
S BCH.			
PAPER. W			
CIRCULATION: GENERAL			

FIG. 1. ONE SPUR MULTIPLE STATION - TYPICAL LAYOUT  
(FOR CABLING, SEE FIG. 3)

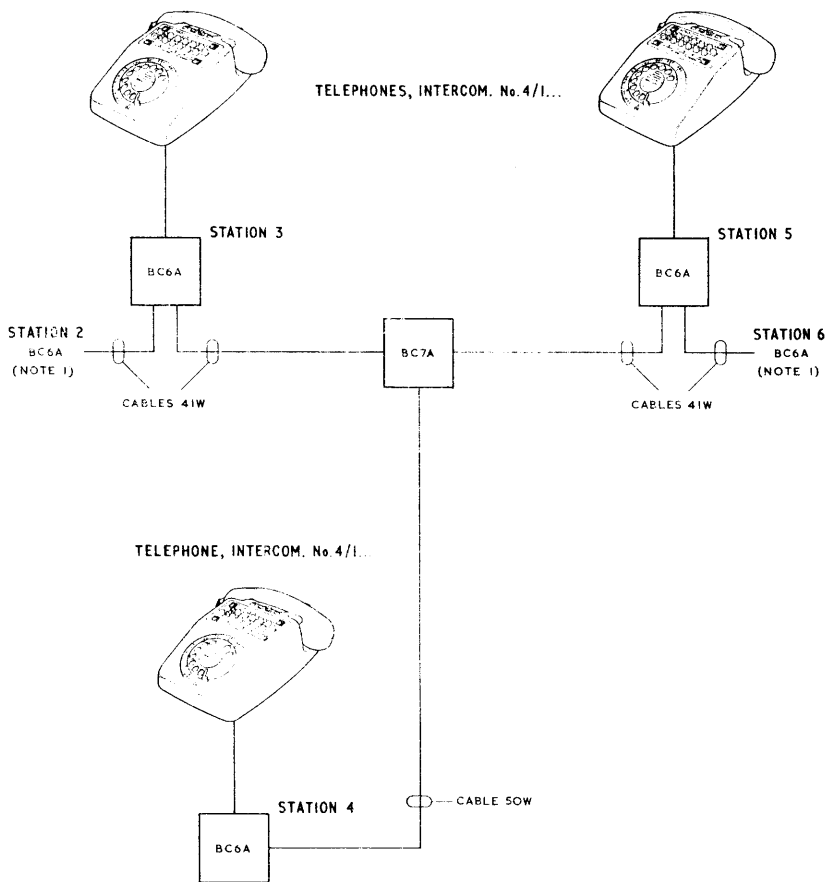


FIG. 2. TWO SPUR MULTIPLE STATIONS - TYPICAL LAYOUT  
(FOR CABLEING SEE FIG. 4)

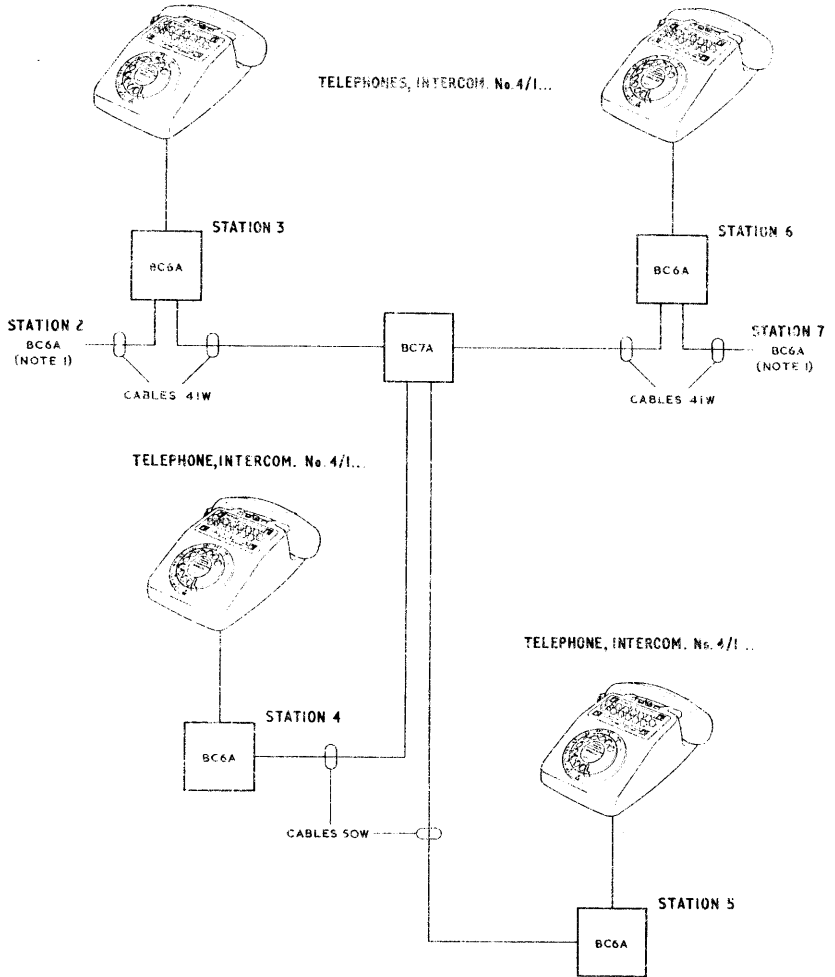


FIG. 3. ONE SPUR MULTIPLE STATION (TYPICAL)

BOX, CONNEXION 7A

BOX, CONNEXION 5A

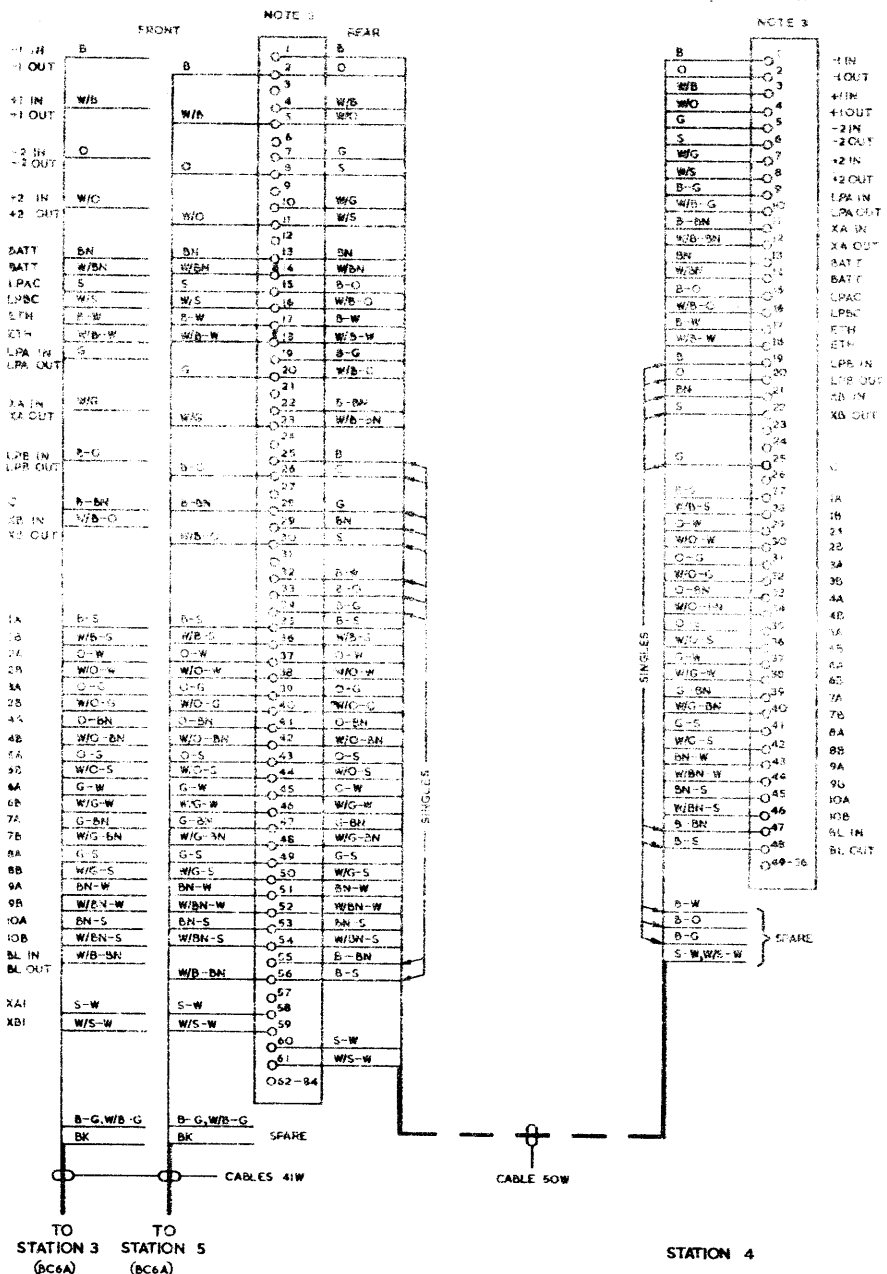


FIG. 4. TWO SPUR MULTIPLE STATIONS (TYPICAL)

