

H.E.S.No.3 (KEYMASTER)

CIRCUIT ELEMENT: INTERCOM. SIGNALLING & STATION ENGAGED CIRCUIT

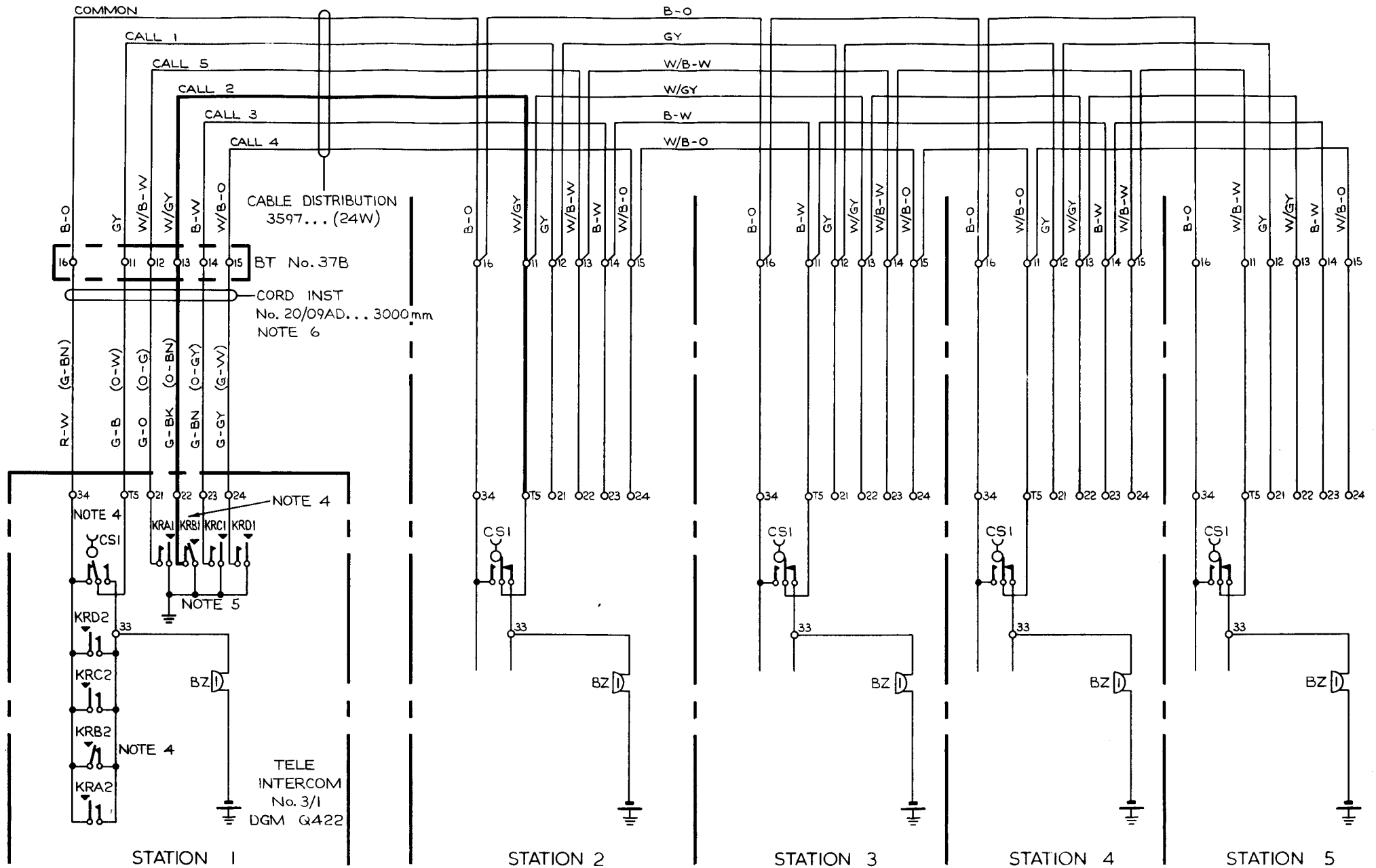
NOTES:-

1. Station 1 is shown as Main. Non-Mult Extension is shown as Station 5. Dgm. Q204 gives full table of connexions.
2. Contact 43 operated during intercom calls. Contact EX4 released during exchange calls. Calling Earth is returned via one of these contacts to common wire when the non-multiple extension is engaged.
3. 'Exch' button and D Relay are not operated during an intercom circuit call.
4. Contacts shown operated.
- 5.

AT STN No.	1	2	3	4	5
KRAI CALLS STN No.	5	1	1	1	1
KRBI CALLS STN No.	2	5	2	2	2
KRCI CALLS STN No.	3	3	5	3	3
KRDI CALLS STN No.	4	4	4	5	4

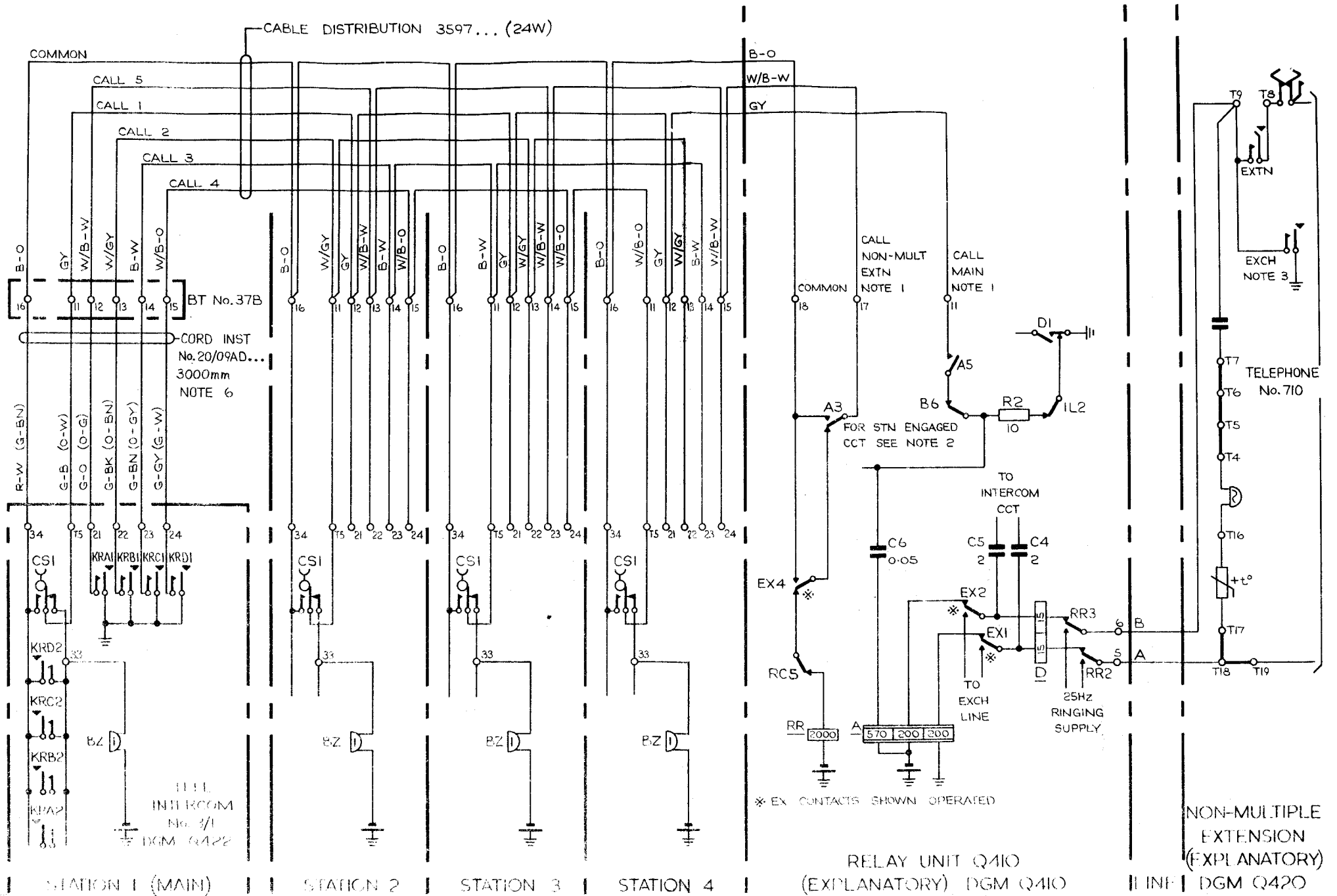
6. Cord conductor colours shown in brackets refer to Cord Inst. No. 20/03AJ...

PD TELECOMMS HORS COLOUR:-W DISTN:- GENERAL	ISSUE				
	B		NEW FORMAT, CORD WAS 20/03AJ <i>MP</i>	T07.2.3	25-2-75
	A		MINOR AMENDMENTS		22.8.63



H.E.S. No.3 (KEYMASTER)

CIRCUIT ELEMENT: INTERCOM. SIGNALLING CIRCUIT MULTIPLE STATIONS WITH NON-MULTIPLE EXTENSION



CALLED STATION ENGAGED TEST, MULTIPLE STATIONS
 STATION 1 CALLING STATION 2 WHICH IS ENGAGED

