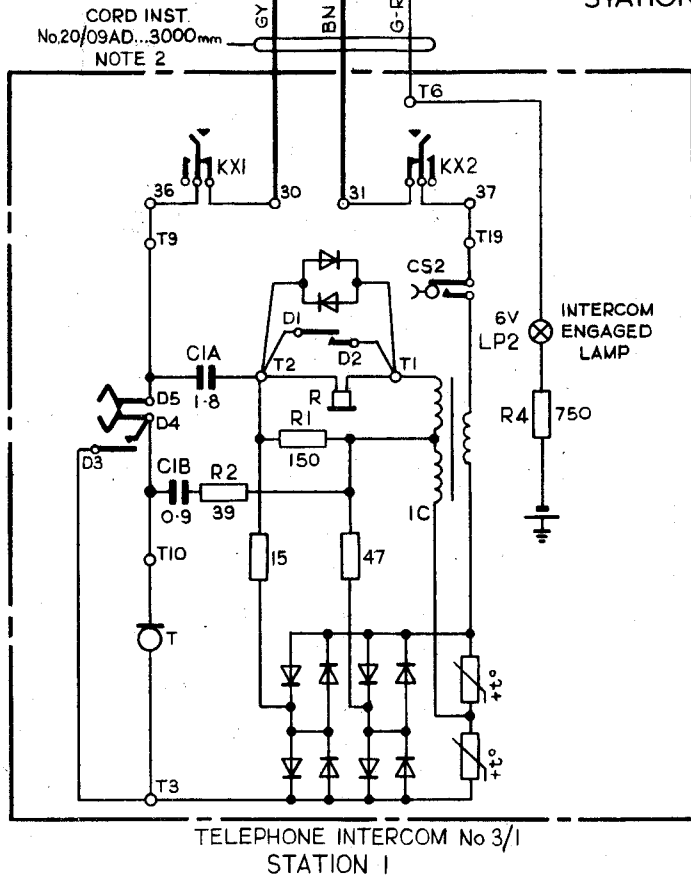
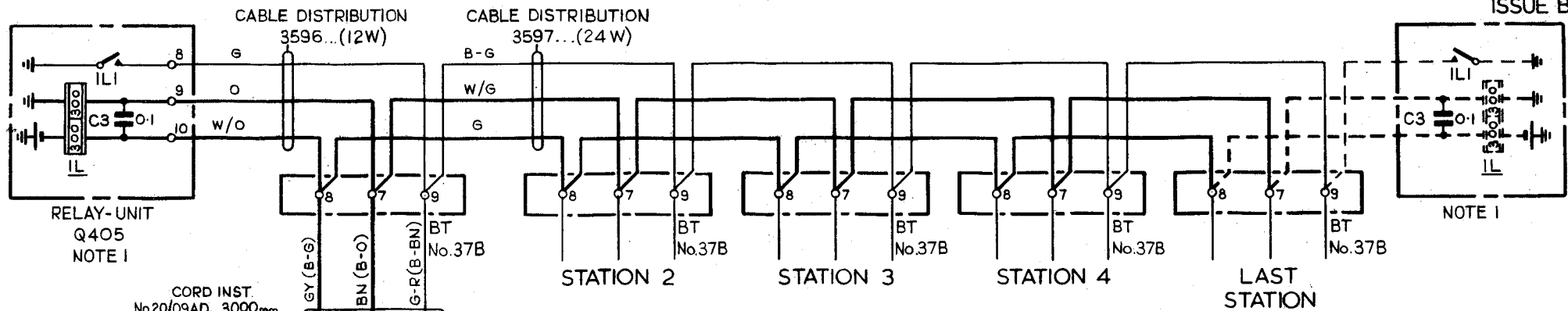


HES No.3 KEYMASTER

CIRCUIT ELEMENT, MULTIPLE INTERCOM SPEECH CIRCUIT

Q433
PAGE 1-2
ISSUE B



NOTES:-

1. THE RELAY-UNIT Q405 MAY BE FITTED EITHER BEFORE THE FIRST MULTIPLE STATION AS SHOWN IN FULL LINES, OR AFTER THE LAST MULTIPLE STATION, AS SHOWN DOTTED.
2. CORD CONDUCTOR COLOURS SHOWN IN BRACKETS REFER TO CORD INST No. 20/03 AJ...

P.O. TELECOMMS HQRS. PAPER:- W DISTN. GENERAL	ISSUE				
		B NEW FORMAT, CORD WAS 20/03 AJ...	TD 7-2-3	4-11-74	
		A MINOR AMENDMENTS		20-8-63	

MULTIPLE TO NON-MULTIPLE EXTENSION. SPEECH CIRCUIT

