

H.E.S. No.3 (KEYMASTER)

EXTENSION PLANS 107, 107A, 105 & 105A AT NON MULTIPLE EXTENSION

Q 425
PAGE 1-7
ISSUE C

1. FACILITIES

The facilities of Plans 105 and 105A are shown on Dgm. N1450 and those of Plans 107 and 107A on Dgm. N1451.

2. APPARATUS REQUIRED:-

MAIN STATION-ALL PLANS

Telephone No. 710	Rectifier Element No 205
Plan-Set N625	(If not existing in telephone)
Power Unit No. 53A (See Note 6)	Part 1/DBU/199
Switch No. 5A-4	Part 22/DBU/260
Switch No. 5A-4A (See Note 4)	Part 23/DBU/260
Capacitor No. 7712-2	Part 1/DPL/378
Clip No. 90	Part 1/DPL/379
Thermistor No. 1A-1	Part 1/DSP/1255
	Part 2/DST/836

EACH EXTENSION

Telephone No. 710...	Part 22/DBU/260
Block Terminal No. 36B	Part 23/DBU/260
Cord Inst. No. 9/21AD... } Plan 105 & 105A	Part 24/DBU/260
Block Terminal No. 35	Part 1/DPL/378
Cord Inst. No. 6/61AT... } Plan 107 & 107A	Part 1/DPL/379
Buzzer No. 32C-1	Part 25/DBU/260 (Additionally
2 Switches No. 5A-4	Part 26/DBU/260 (at each
Switch No. 5A-4A (See Note 4)	2 Switches (Plan 105 or
Rectifier Element No. 205 (If not existing in telephone)	No. 5A-4 (105A

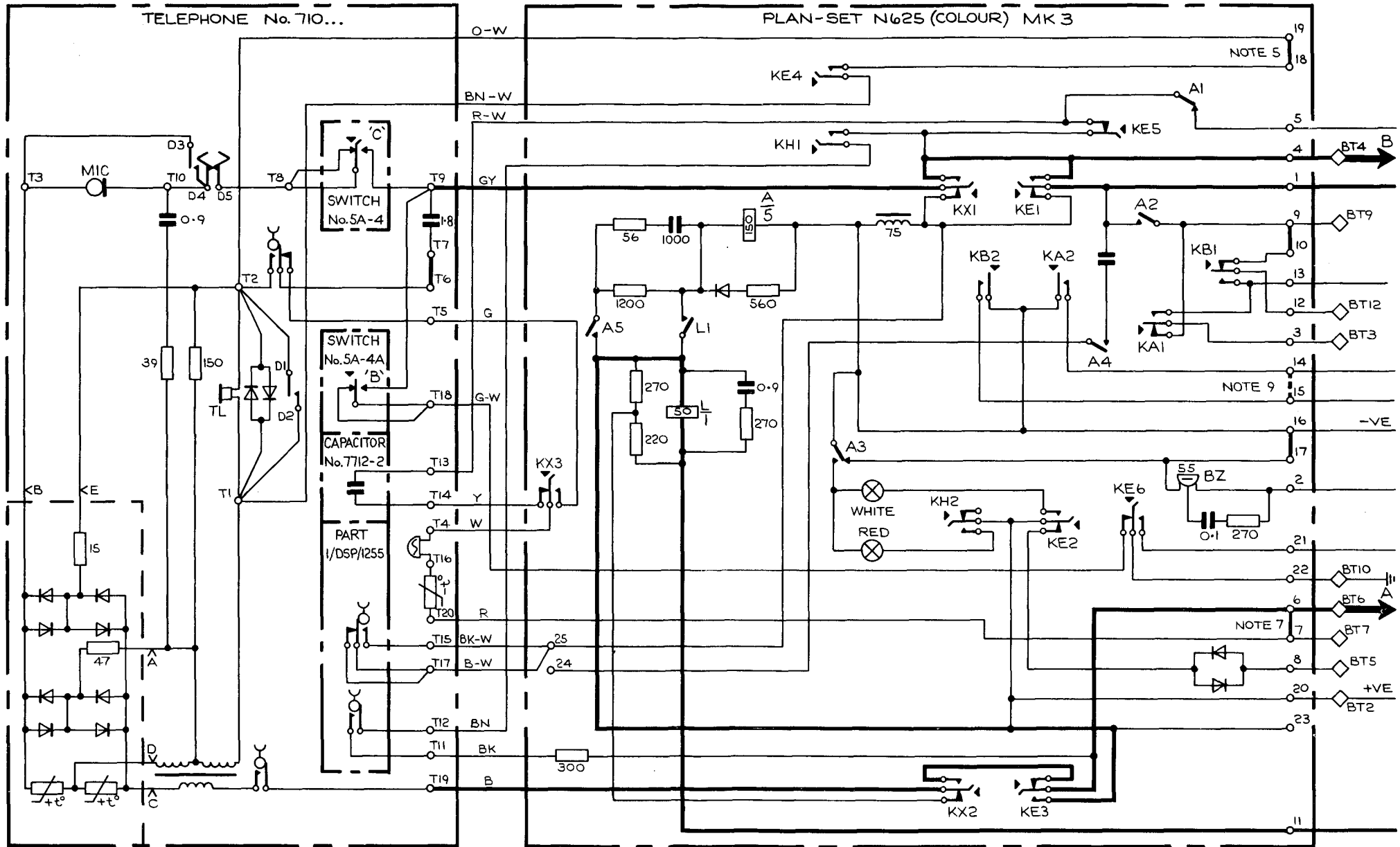
3. MAIN STATION-ALL PLANS

To join the Plan-Set N625 to the Telephone No. 710, remove the four rubber feet and one large and three small knockouts from the base of the telephone, feed the 14 way cable of the Plan-Set N625 through the large hole and fix the base of the telephone to the plan-set by means of the three screws provided.

4. Remove the plungers from positions B and C in the telephone. Fit Part 1/DPL/379 in position B with Switch No. 5A-4A or Switch No. 5A-4 (Metal Bracket type). Fit Part 1/DPL/378 in position C with Switch No. 5A-4. Fit Part 1/DSP/1255 in the auxiliary gravity switch position. Rearrange the straps in the telephone and connect the parts as shown on Page 5 or 6. Rearrange straps in Plan-Set N625 as shown. Fit Parts 22 & 23/DBU/260 as shown on Page 6.
5. The connexions shown on Pages 5 and 6 are for Plans 105A and 107A. For Plans 105 and 107, remove strap between terminals 18 and 19 in Plan-Set N625 and transfer BLUE-WHITE conductor from terminal 25 to 24.
6. The Power Unit No. 53A should be fitted in a position adjacent to a 3-pin mains socket. 8 Cells, Dry R40 and a Box Battery No. 10 may be fitted if it is impossible to get a suitable mains supply.
7. If an extension bell is required at the main, remove strap between terminals 6 and 7 (Plan-Set N625) and connect bell between BT6 and BT7.
8. Cord conductor colours shown in brackets refer to Cord Inst. No. 18/04AJ...
9. Strap fitted between terminals 14-15 for Plans 107 and 107A to be removed for Plans 105 and 105A.
10. **EXTENSIONS**
Remove the plungers from positions B and C in the telephone. Fit Part 1/DPL/379 in position B with Switch No. 5A-4A. Fit Part 1/DPL/378 in position C with Switch No. 5A-4. Fit other Switches No. 5A-4 as shown. Fit Buzzer No. 32C-1 on top of right hand bell-gong using the existing fixing screw. Rearrange straps in the telephone and connect switches etc as shown on Page 4 or 6. The positions of Parts .../DBU/260 and the latch bracket settings for main and extension telephones are shown on Page 6.
11. An extension bell may be connected in place of Strap BT5-BT9 at Plan 105 extensions or BT2-BT8 at Plan 107 extensions.

PO TELECOMMS HQRS. PAPER:- W DISTN:- GENERAL	ISSUE			
		C	NEW FORMAT. PLAN-SET CORD WAS 18/04AJ... <i>MD</i> T07.2.3	28.7.75
		B	MINOR AMENDMENTS, NOTE 13 ADDED	29.9.70

FIG. 1 EXPLANATORY
MAIN STATION-ALL PLANS



KEY CONTACTS OPERATED FOR EACH CONDITION

- | | | |
|---------------------------|----------------------------|--------|
| SPEAK TO EXTENSION - NONE | SPEAK TO EXTENSION | } - KH |
| SPEAK TO EXCHANGE - KX | EXCHANGE HELD | |
| CALL EXTENSION - KA OR KB | EXTENSION TO EXCHANGE - KE | |

FIG. 2 EXPLANATORY
EXTENSIONS - PLANS 105 & 105A

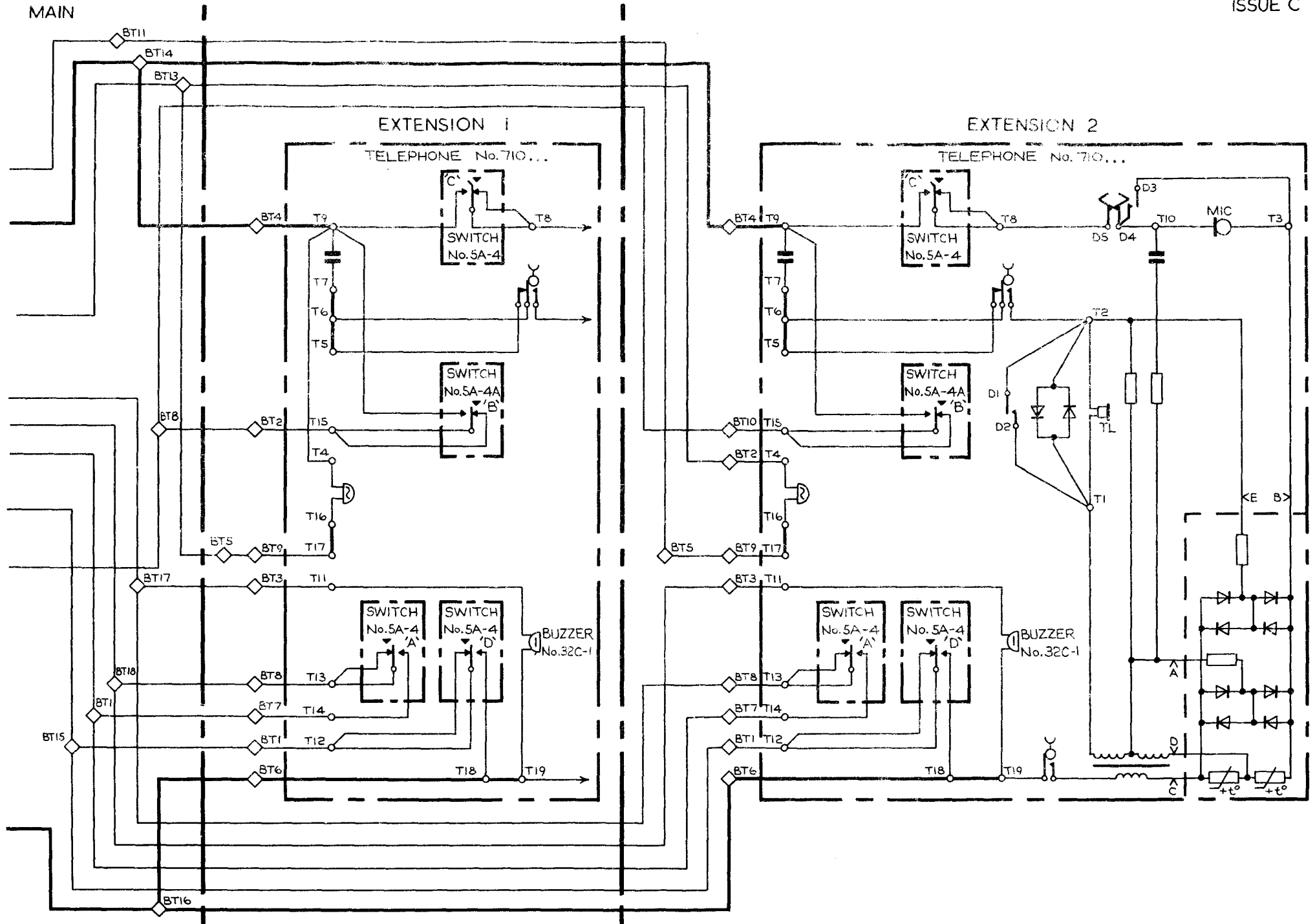
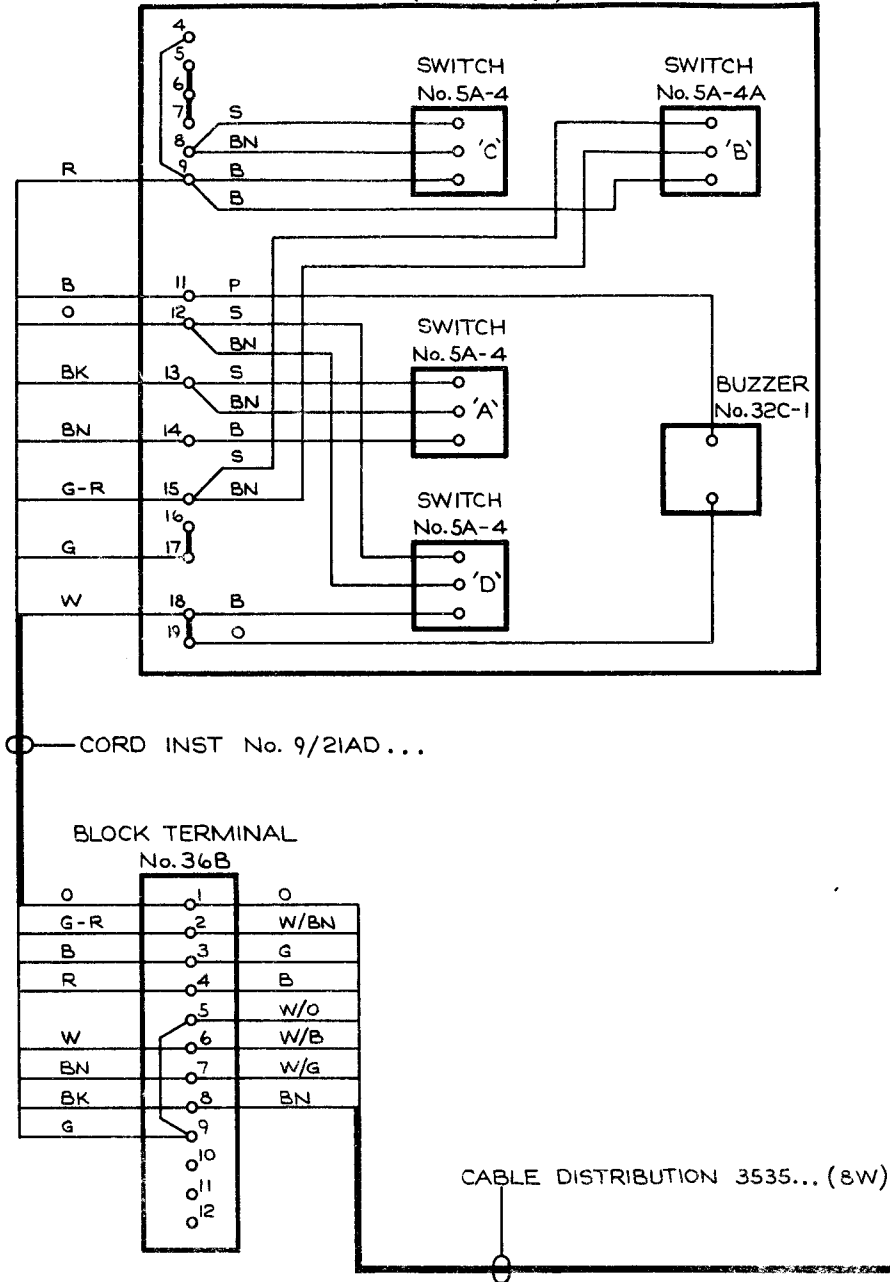


FIG. 3 WIRING
EXTENSIONS - PLANS 105 & 105A

EXTENSION 1

TELEPHONE No. 710...
(NOTES 10&11)



EXTENSION 2

TELEPHONE No. 710...
(NOTES 10&11)

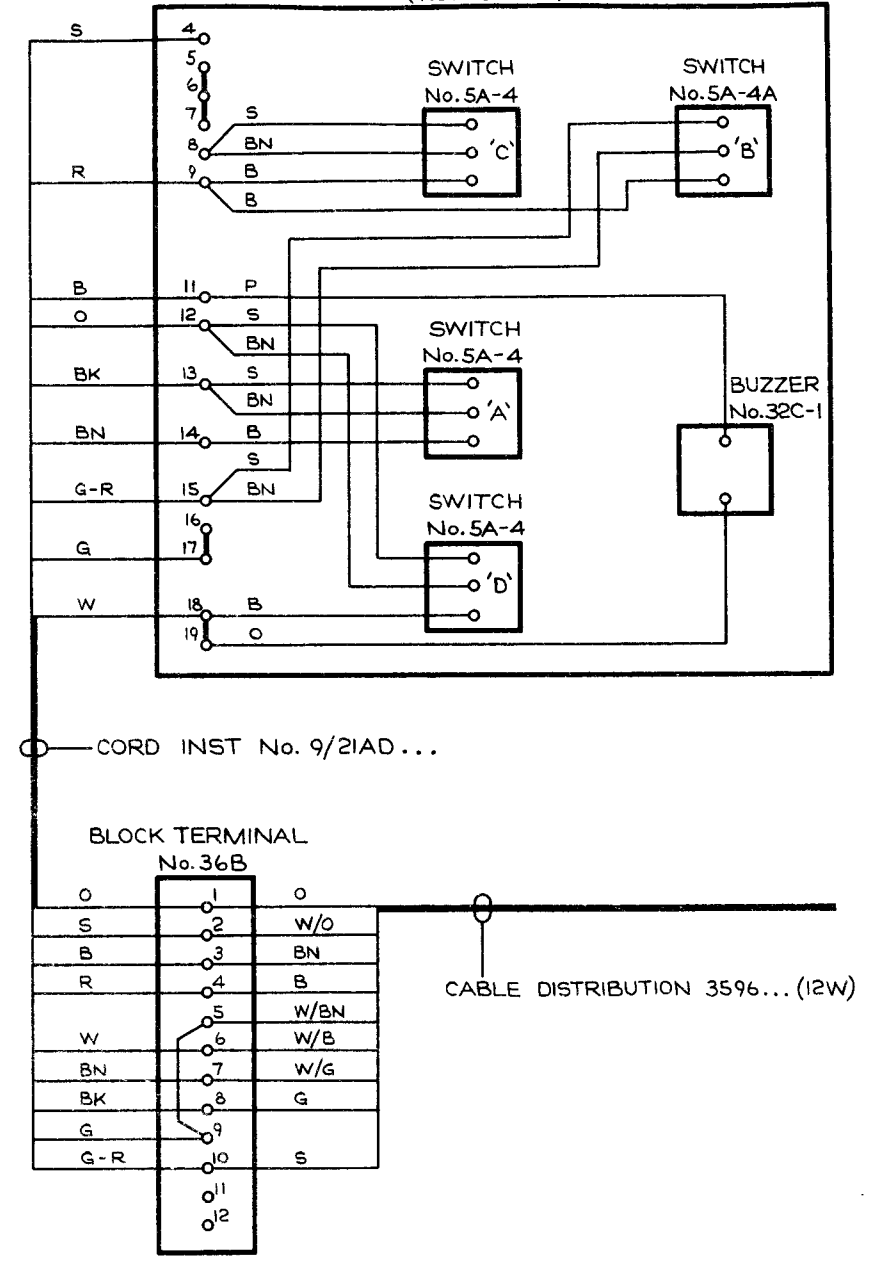
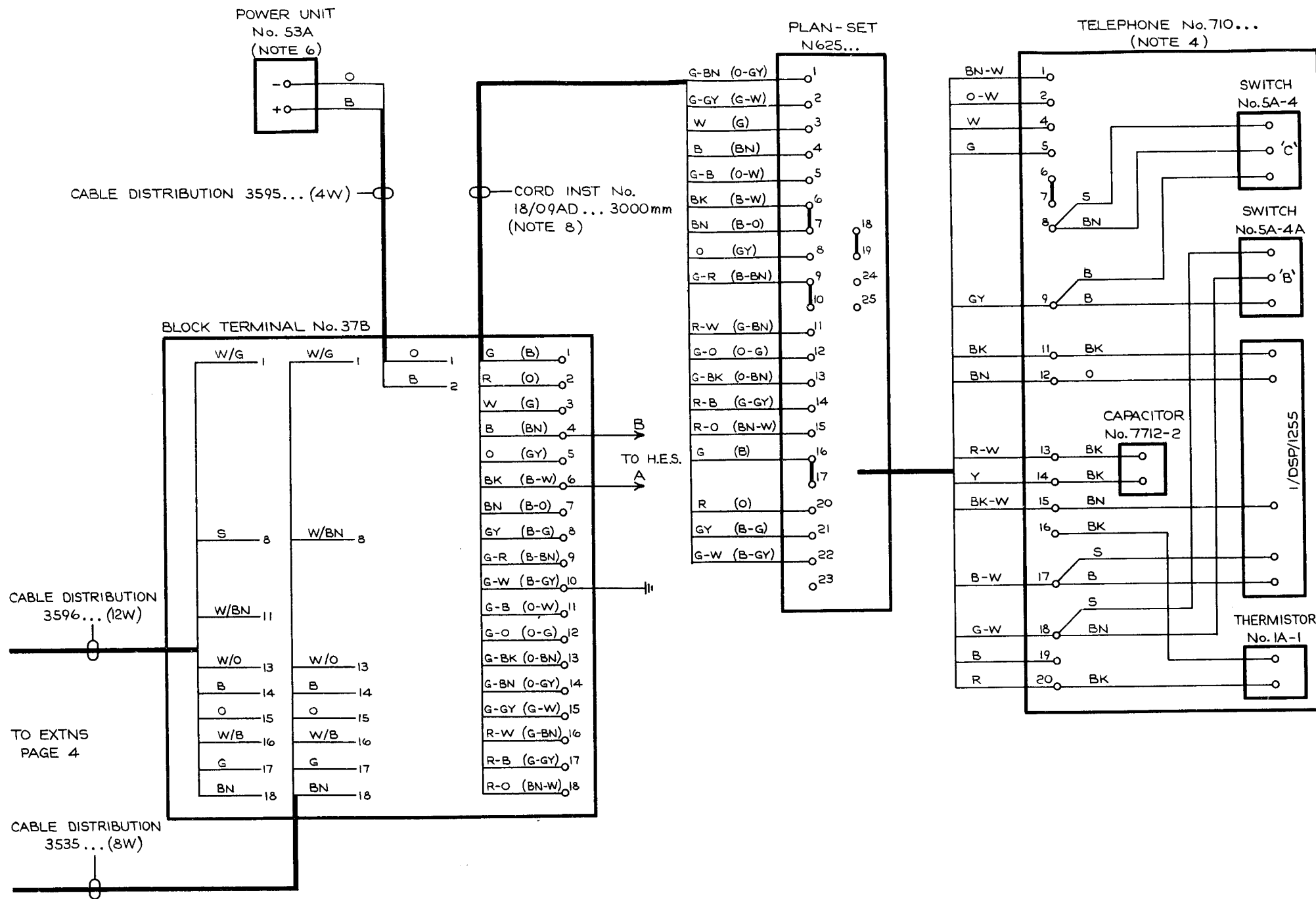


FIG.4 WIRING
 MAIN STATION - PLANS 105 & 105A (NOTE 5)

Q425
 PAGE 5
 ISSUE C



EXTENSION

MAIN

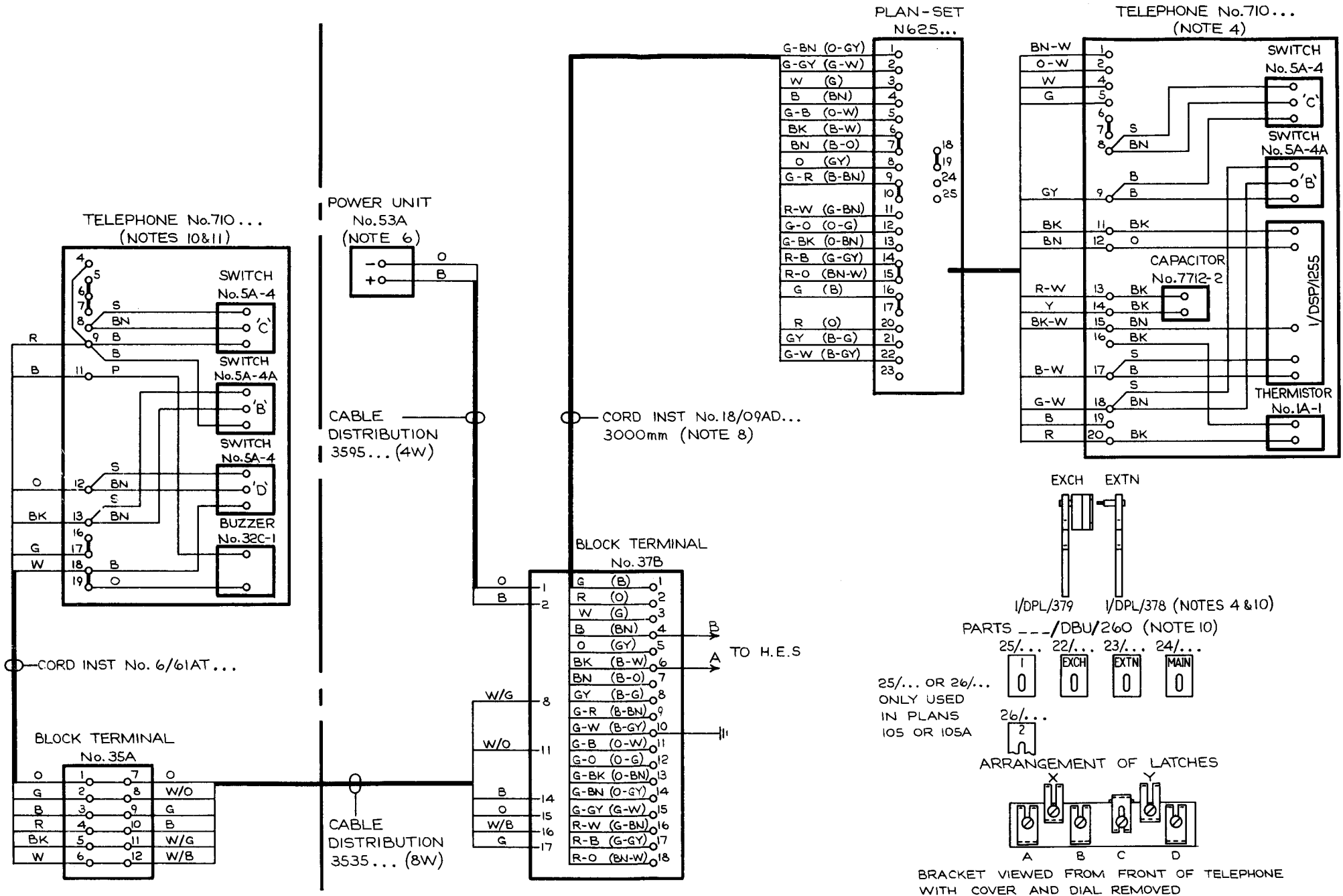


FIG. 6 EXPLANATORY
EXTENSION-PLANS 107 & 107A

