

**HES No 3 (KEYMASTER)
TELEPHONE INTERCOM. No 3/1
INSTALLATION**

**Q424
PAGE 1-3
ISSUE B**

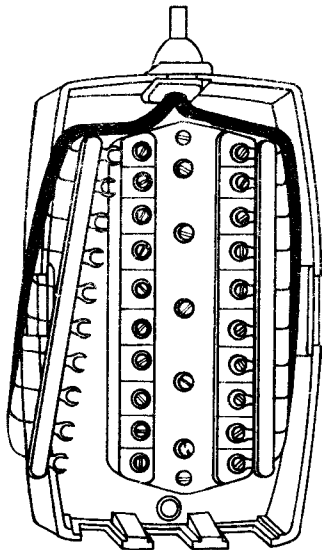
NOTES:-

1. Multiple cable conductors on Terminals 11-15 will vary according to station number. See Diagram Q404.
2. When Relay-Unit Q405 is fitted at beginning of multiple, this strap is provided between 5 and 18 at the Last Station.
3. When Relay-Unit Q405 or Q410 is fitted at end of multiple, this strap is provided between 2 and 17 at Station No. 1.
4. For connexions within the Telephone Intercom No. 3/1, see Diagram Q422.
5. Button is Part No. 1/DBU/337 colour...
Plate Separator is Part No. 1/DPL/2061
Labels Insert are Parts No. 1-4/DLA/32 colour...
 - 1/DLA/32 has 1 engraved on top face and 5 on reverse
 - 2/DLA/32 has 2 engraved on top face and 5 on reverse
 - 3/DLA/32 has 3 engraved on top face and 5 on reverse
 - 4/DLA/32 has 4 engraved on top face and 5 on reverse
 To reverse label, depress facing button, withdraw label through slot in separator, reverse Part No. .../DLA/32 and restore.
6. At Station No. 1, multiple connexions 1, 2 and 17 are omitted.
At Last Station, multiple connexions 5, 6 and 18 are omitted.
7. For additional facilities, see Index of Q Diagrams.
8. To maintain continuity of series multiple circuits when telephone is removed from a working installation, strap Terminals 1-6, 2-5 and 17-18 in BT No. 378.
9. Cord conductor colours, shown in brackets, refer to Cord Instr. No. 20/03AJ..., fitted to earlier telephones.

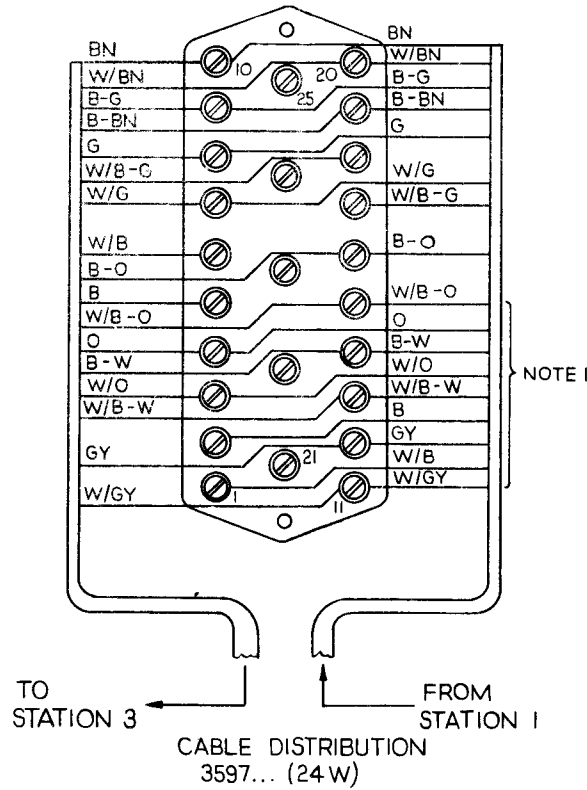
PC TELECOMMS HQRS PAPER:- W DISTN:- GENERAL	ISSUE				
		B	NEW FORMAT. CORD WAS 20/03AJ... <i>TOP</i>	TD7.2.3	15-11-74
		A	MINOR AMENDMENTS		8.5.63

STATION 2 TYPICAL

BT No 37B REAR VIEW
MULTIPLE CABLE CONNEXIONS
(SEE DGM Q404)

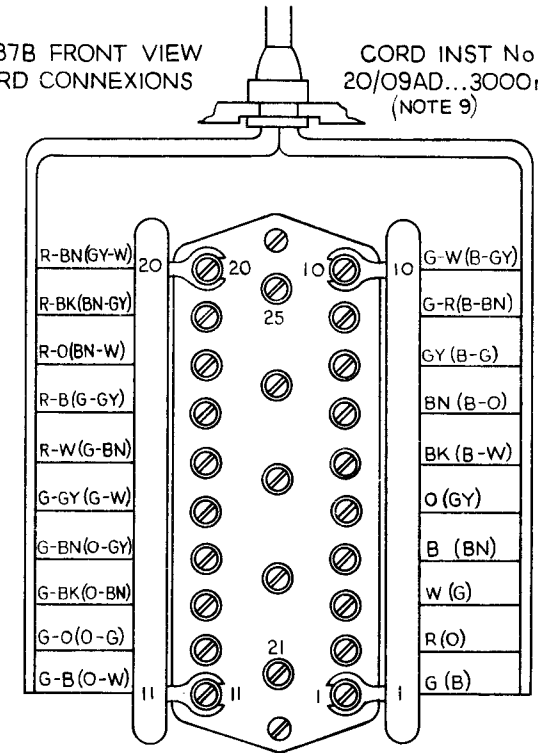


EXPLANATORY
ONLY

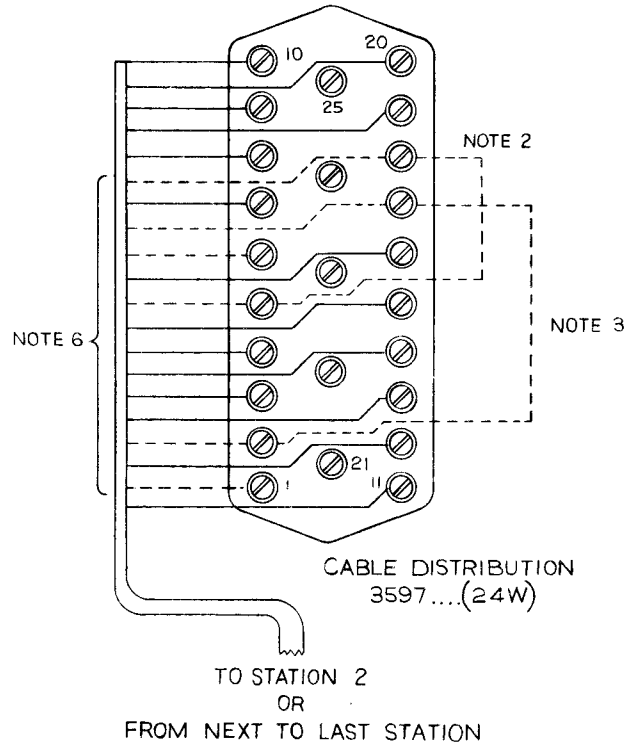


BT No 37B FRONT VIEW
CORD CONNEXIONS

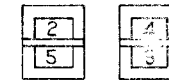
CORD INST No
20/O9AD...3000mm
(NOTE 9)



BT No 37B REAR VIEW
STATION 1 OR LAST STATION
(SEE DGM Q404)



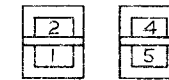
STATION CALLING BUTTONS
SHOWING REVERSAL OF LABEL INSERT, ONLY ON SYSTEMS
WITH 5 STATIONS
(NOTE 5)



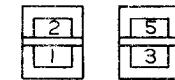
STATION 1



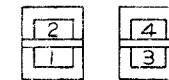
STATION 2



STATION 3



STATION 4



STATION 5

PLATE SEPARATOR
FITTED BETWEEN BUTTONS
NOTE 5