

HES No.3  
TELEPHONE INTERCOM.No.3/IL

Q422  
PAGE 1-3  
ISSUE D

NOTES:-

1. At the main station Strap T16-T17 must always be removed. At other stations this strap is removed only when facility of cutting off Bell is not required.
2. At the main station KB2 may be used to control additional facilities. The Bell-off Button is then changed for one engraved as shown in Dgm Q 430, and the grey lead transferred from T8 to Terminal T25. At other stations grey should remain connected to T8 (spare).
3. On C.B. telephones the dial is omitted and the pink and orange conductors joined.
4. When reversed in Jack the regulator connects B, C & D together and is rendered inoperative.
5. Terminals T1-T19 are on terminal base, Terminals 20-37 are on Strip Connexion No. 155B.
6. R3 is mounted on insulated tags on side of Strip, Connexion No. 155B.
7. KC Key required for operator recall see Dgms. Q 412 & Q 413.
8. Later issues have dial brown conductor connected to T3 instead of Gravity Spring 4.
9. At stations where a repertory dialler (auto dial) is required, modify telephone as shown in Fig. 4. When repertory dialler is recovered provide Strap T10-T11.
10. Early issues of the telephone were fitted with Cord Instrument No. 20/03AJ.

APPARATUS SCHEDULE

CODE	ITEM
B	Bell 59A-1 Unmounted
IC	Coil Induction No. 31
C1	Capacitor Paper No. 7719
Handset Cord	Cord Inst. No. 4/118 AX, Colour, 200 mm
Inst. Cord	Cord Inst. No. 20/09 AD, Colour, 3000 mm
D	Dial Automatic No. 21 FA Clear
TL	Receiver Inset No. 4T
MIC	Transmitter Inset No. 16
REG	Regulator No. 1
R1	Resistor Carbon No. 26 G.C. 150Ω
R2	Resistor Carbon No. 26 G.C. 39Ω
R3	Resistor Coil No. 35A 200Ω
R4-R5	Resistor Coil No. 4CA 750Ω
BZ	Buzzer No. 2B-2
-	Lamp Fitting No. 16A (incomplete)
LP1	Lamp No. 26 H
LP2	Lamp No. 26 J
KB-KH-KX-	Switch Composite No. 1A
KR-KC-R3	Rectifier Element No. 205
MR1	

PO TELECOMMS HQRS COLOUR:- W DISTN:- GENERAL	ISSUE		
	D	RECTIFIER ELEMENT, MR1 ADDED. NOTES 9 & 10 AND FIG. 4 ADDED CCRDS WERE CORD INST. NOS. 20/03AJ... AND 4/88AK... <i>APP</i>	25-2-75
	C	NOTE 8 ADDED	21.8.70

FIG.1 ROUTED SCHEMATIC

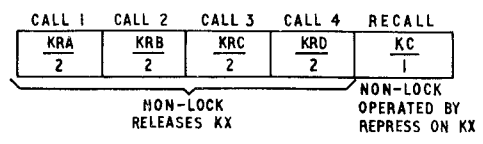
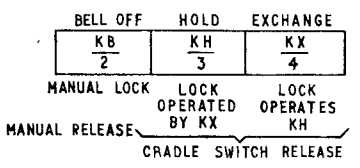
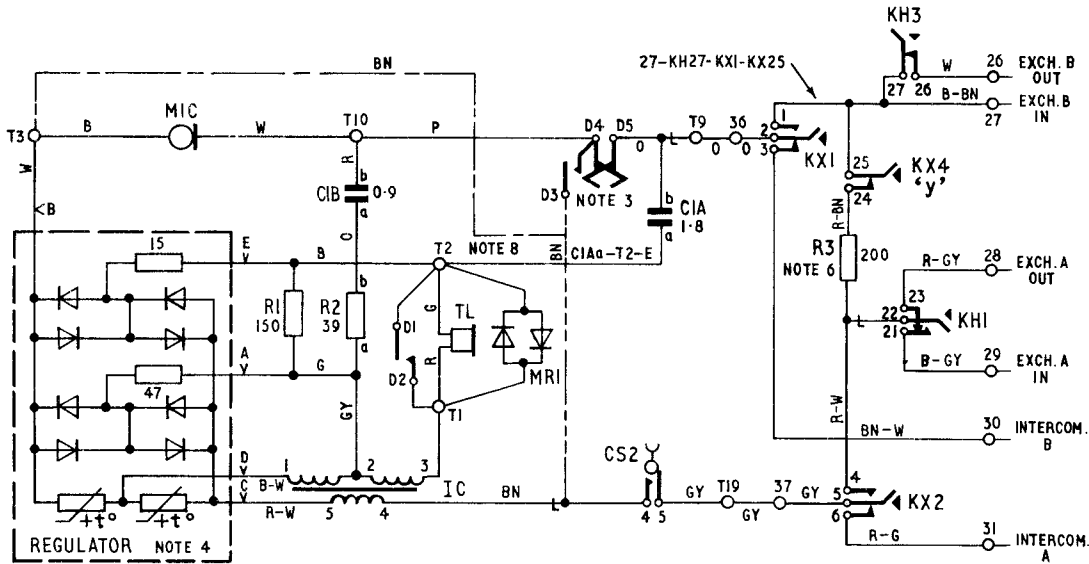
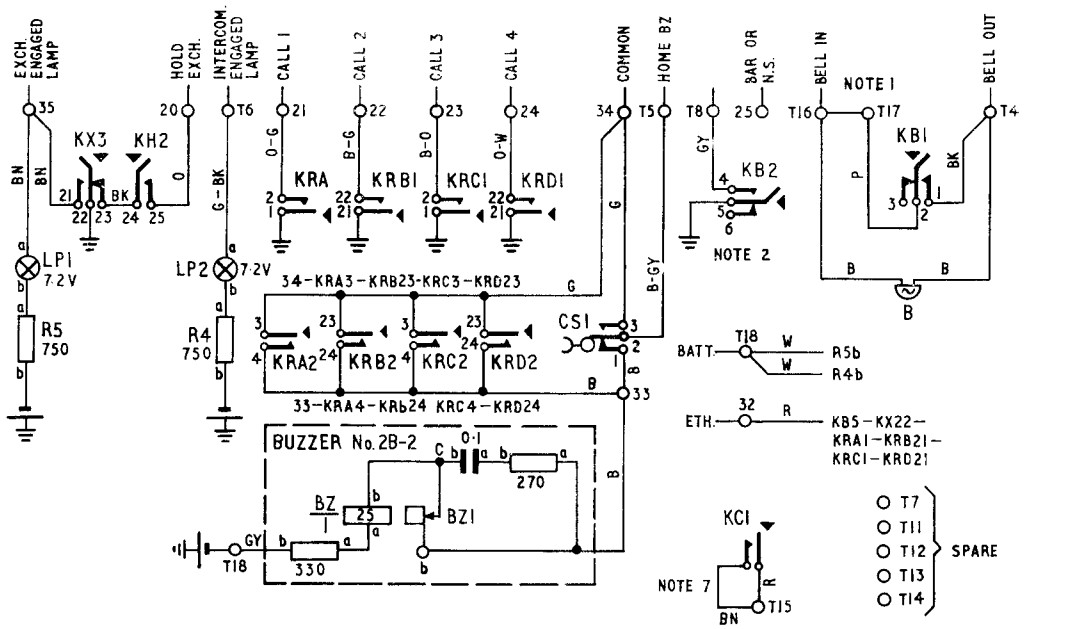


FIG.2 LAYOUT OF SPRING-SETS OF SWITCH COMPOSITE No.1A

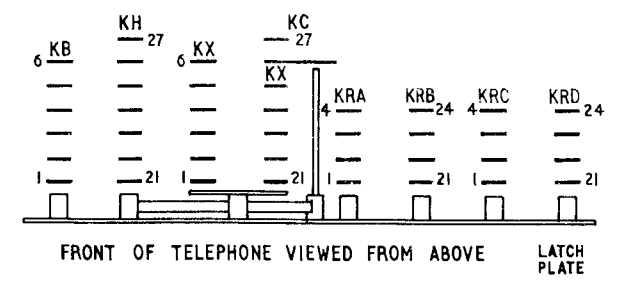
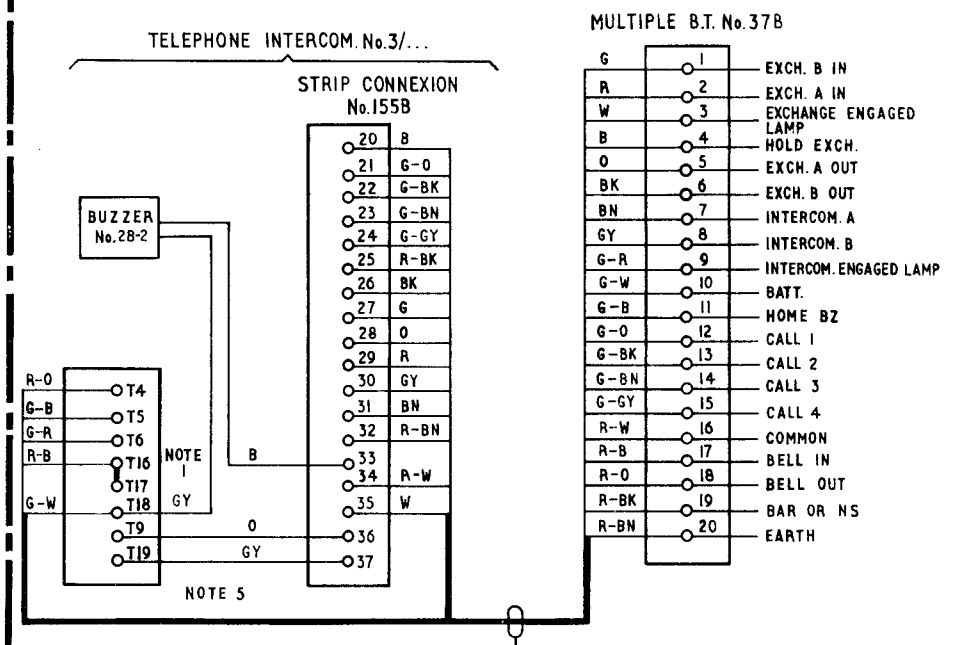


FIG.3 CORD CONNEXIONS

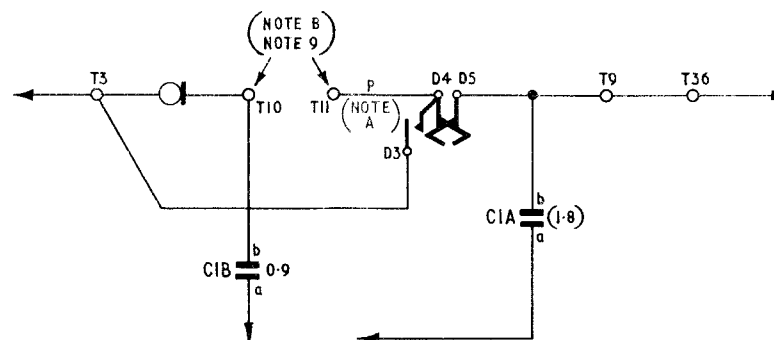


CORD INST. No.20/09AD...3000mm. NOTE 10

COLOUR EQUIVALENTS OF LINE CORDS					
B.T.No.	20/03AJ	20/09AD	B.T.No.	20/03AJ	20/09AD
1	B	G	11	O-W	G-B
2	O	R	12	O-G	G-O
3	G	W	13	O-BN	G-BK
4	BN	B	14	O-S	G-BN
5	S	O	15	G-W	G-GY
6	B-W	BK	16	G-BN	R-W
7	B-O	BN	17	G-S	R-B
8	B-G	GY	18	BN-W	R-O
9	B-BN	G-R	19	BN-S	R-BK
10	B-S	G-W	20	S-W	R-BN

HES No.3  
TELEPHONE INTERCOM. No.3/IF  
WITH REPERTORY DIALLER (AUTODIAL)

FIG.4



NOTES:—

Modify Telephone Intercom. No.3/IF as follows:—

- A Remove pink lead, from Capacitor CIB,b and terminate on Terminal T11; solder to wiring tag
- B Connect repertory dialler pulsing contacts between T10 and T11. Cord access to the telephone is via the knockout in the base normally used for a watch receiver. Connect cord from auto-dial as follows:—

AUTO-DIAL No.201A

Red — T10  
Green — T11  
Blue — T10  
White — T3  
Yellow — T2  
Black — T1,

AUTO-DIAL No.301A

Red (AD5) — T11  
Green (AD2) — T10  
White (AD3) — T3  
Orange (AD1) — T2  
Blue (AD4) — T1  
Disconnect spark quench in Auto, Dial No.301A by removing Strap LKA (Dgm.N2312)