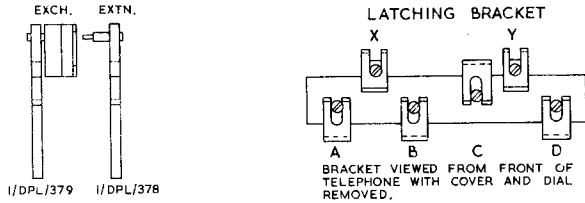


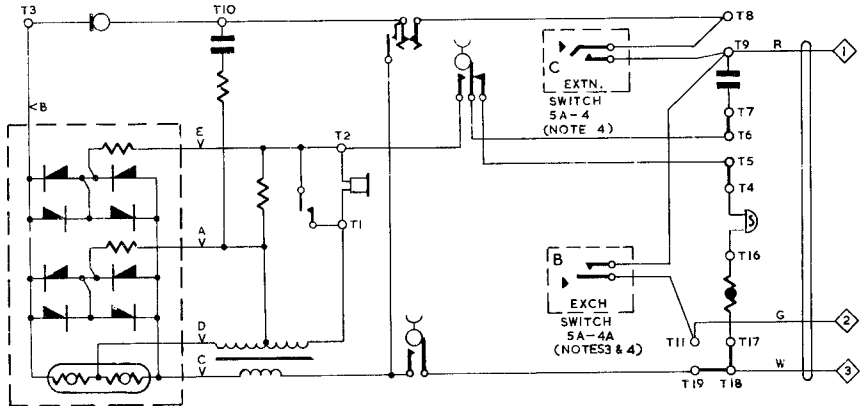
NOTES :-

- APPARATUS REQUIRED :-
 - TELEPHONE No. 710...
 - SWITCH No. 5A-4
 - PART 22/DBU/260
 - SWITCH No. 5A-4A (SEE NOTE 3)
 - PART 23/DBU/260
 - PART 1/DPL/378
 - PART 1/DPL/379
 - CORD INST. No. 4/83AA... 72"
 - BLOCK, TERMINAL No. 52A
 - THERMISTOR No. 1A-1
- REARRANGE STRAPS OF TELEPHONE AS SHOWN. FIT THERMISTOR BETWEEN T16 AND T17.
- REMOVE PLUNGERS FROM POSITIONS B & C, FIT PART 1/DPL/379 IN POSITION B, WITH SWITCH 5A-4 (METAL BRACKET TYPE) OR SWITCH 5A-4A FIT PART 1/DPL/378 IN POSITION C WITH SWITCH 5A-4. IN TELEPHONE COVER FIT PART 22/DBU/260 IN POSITION B AND FIT PART 23/DBU/260 IN POSITION C.

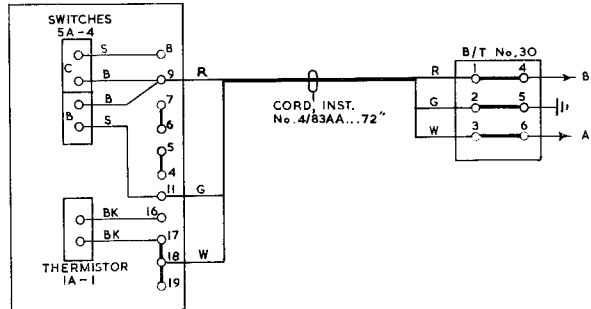
ADJUST LATCH BRACKET AS SHOWN :-



- EXTENSION SWITCH (LOCKING) OPERATES SINGLY RETURNING LOOP TO THE MAIN STATION. EXCHANGE SWITCH (NON LOCKING) ALSO OPERATES EXTENSION SWITCH CONTACTS PROVIDING EARTHED LOOP CALLING TO SWITCH RELAY UNIT Q410.
- ANY SPARE LEADS SHOULD BE SECURED ON SPARE TERMINALS OR ELECTRICALLY INSULATED.



TELEPHONE No. 710... NOTE 2



P.O.
 TELECOMMS.
 HQRS.
 PAPER W

CIRCULATION
 GENERAL

D	NOTE 3 AMENDED. MINOR AMENDMENTS	29.9.70
C	STRAP TS-T2 REMOVED. W AND R CORD CONDUCTORS REVERSED IN TELEPHONE. MINOR AMENDMENTS.	6.2.68
B	NEW FORMAT. MINOR AMENDMENTS.	15-2-64
A	MINOR AMENDMENTS S.A.L.W.	9-9-63
	J.H. COMBRIDGE (S1/3) T.D.1.4. T.D.2.3.3	15-F-62