

H.E.S. No. 3 (KEYMASTER) RELAY UNIT Q(L) 415

FOR TERMINATING PRIVATE AND SWITCHBOARD
CIRCUITS ON H.E.S. No. 3 (KEYMASTER)
(FOR WIRING SEE LD 180)

Q(L)415

3 PANELS-1

9-10-63.

NOTES:-

1. FOR CIRCUIT ARRANGEMENTS OF THIS RELAY UNIT SEE DIAGRAMS Q(L)441-7.

2. ON TAG BLOCKS
B MEANS RELAY BREAK SPRING.
L MEANS RELAY LEVER SPRING.
M MEANS RELAY MAKE SPRING.
EXAMPLE:- SA4L IS THE LEVER SPRING OF RELAY SA SPRING SET 4.

INTERNAL WIRING CONNEXIONS TO TAG-BLOCKS

A BLOCK

10	RR _a S6M	20	30 TR7	40 LB _e	50 BATT.
	S1B		TR6	LA _e	SA5M
	JG3B	S4L	MRI	S4M	SA5L
	JG3M				
	JG _a	SA5B	RO _a	RO1L	SA3B
	MRI+	S5B	SA6L	LB2M	SA6B
	MR2-	RO3M	S5L	SA _a SA3M	RO1M
	SA3L	E	JG2B	S5M	EL1M
	RR1M	RO3L	LB2L	SA6M	EL4L
		S3B	E	SAIL	EL5B
			LA _a	MR3-	E
	I	II	2I	3I	4I

B BLOCK

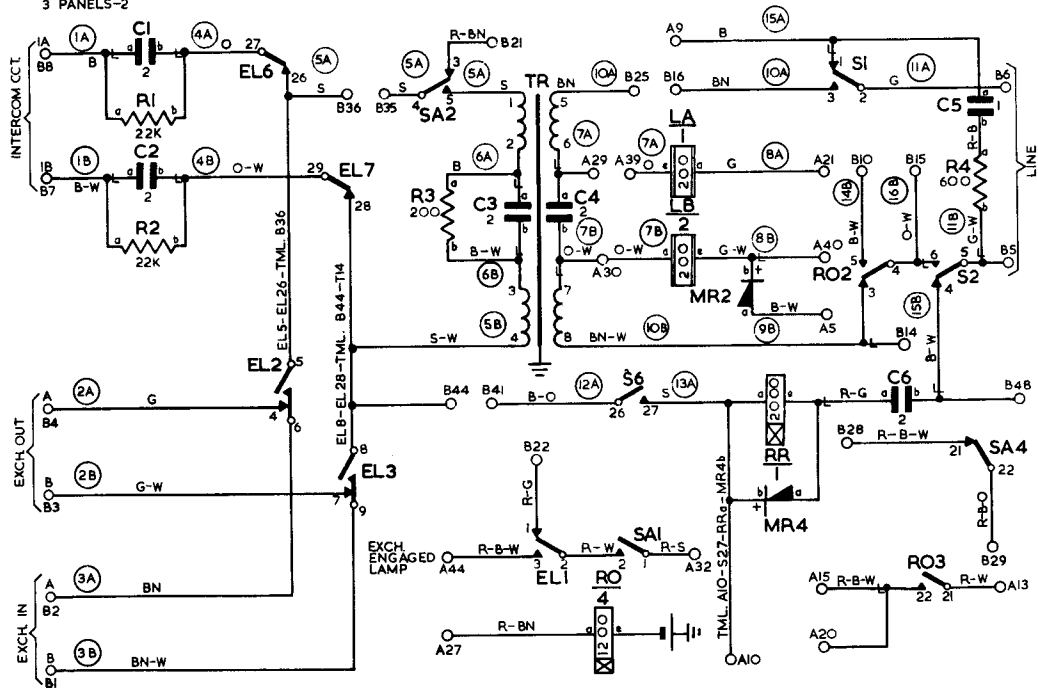
10	20	30	40	50
RO2M	RO3M			
RO4M	LB1L	SA4L	MR3+	BATT.
AI	JG1M EL4M S _a	SA4B	S7M	S2B
BI	RO4L	LB ₁ M EL5M JG1L	S3L	LB1B
SIL	SIM	LAIM	EL6B	LAIL
S2L	RO2L S2M	TR5	SA2L	
A OUT	TRB RO2B	RO4B		TR4 EL3L
B OUT				S7L
A IN		EL1B		LA1B
B IN		SA2B		S6L
I	II	2I	3I	4I

APPARATUS SCHEDULE

ITEM	RATE BOOK TITLE
LA	RELAY 14968
LB	RELAY 15293
RR	RELAY 14969
JG	RELAY 3544
S	RELAY 15294
SA	RELAY 3862
EL	RELAY 15291
RO	RELAY 15292
CI-4, C6	CAP. PAPER 7725
C5	CAP. PAPER 7708
R4	RES. COIL No.12 600Ω
R3	RES. COIL No.9 200Ω
RI-R2	RES. CARBON No.26KC 22KΩ
MRI-2 3 & 4	RECT. ELEM. 1/12AZ
TR	TRANS. No. 3/216A

Q(L)415
3 PANELS-2

RELAY UNIT Q415 INTERNAL WIRING TO TAG BLOCKS

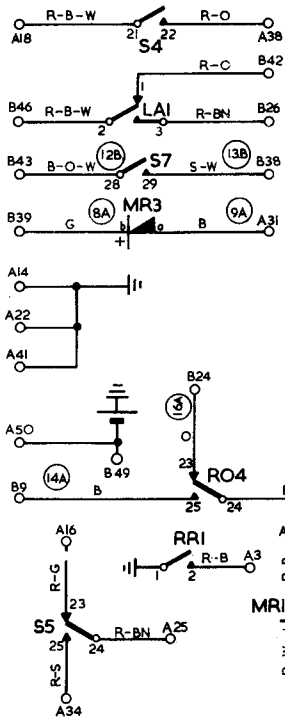


CIRCULATION GENERAL

Suffin

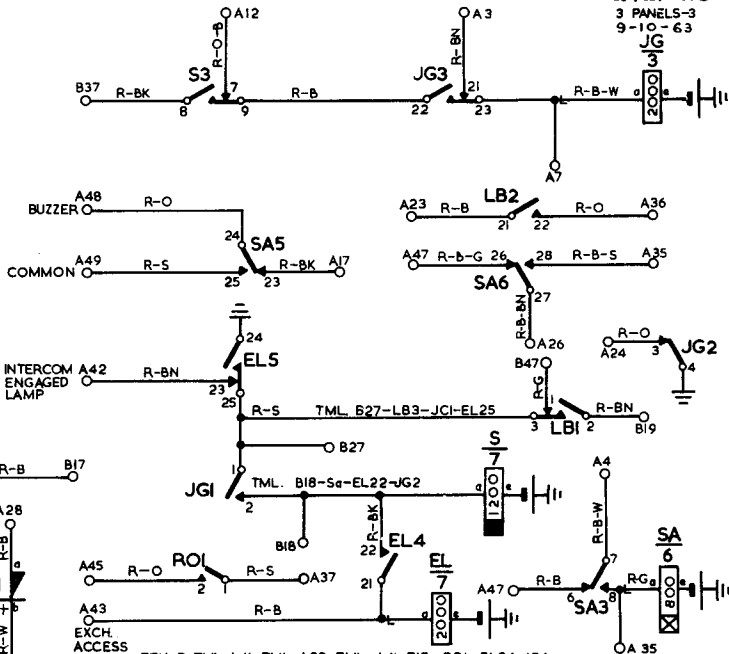
Amendt

PAPER W



RELAY UNIT Q415 INTERNAL WIRING TO TAG BLOCKS Q(L) 415

3 PANELS-3
9-10-63
JG 3



ETH. R. TML. A41-TML. A22-TML. A4i-TIE- RRI- EL24-JG4
BATT W. TML. B49-TML. A50-Se-EL5-JG6-RO1-SA5.