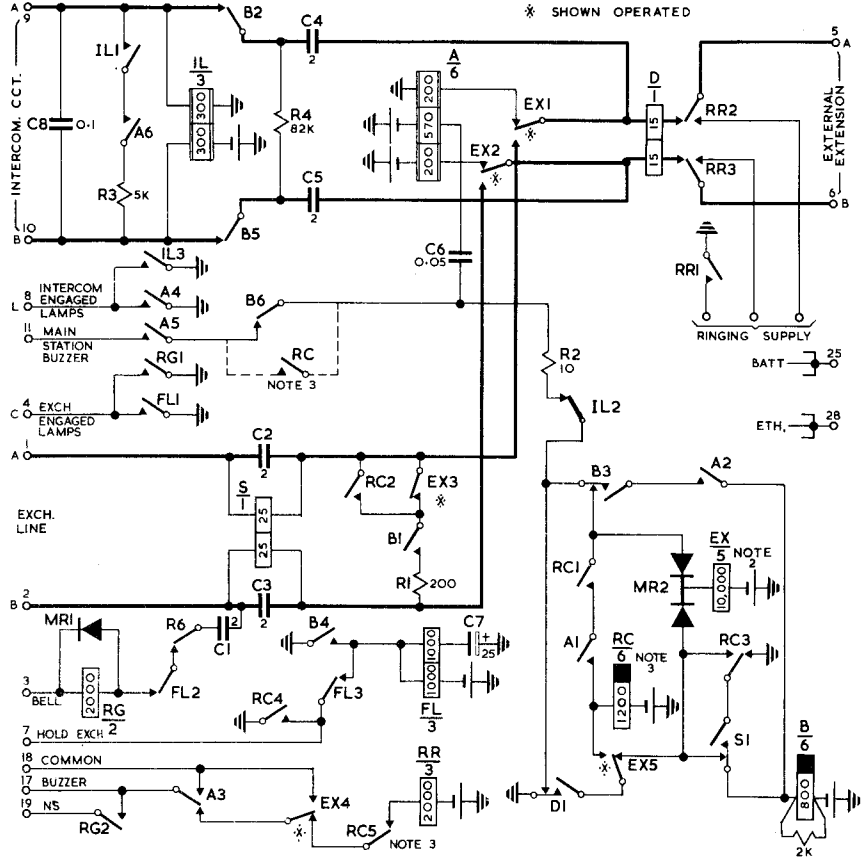


COMMON EQUIPMENT WITH PROVISION FOR A NON-MULTIPLE EXTENSION

NOTES :-

1. D RELAY IS CONNECTED DIFFERENTIALLY AND OPERATES ONLY WHILE AN EARTH IS APPLIED WITH THE LOOP AT THE STATION END.
2. EX RELAY IS NORMALLY OPERATED.
3. IN EARLY ISSUES RC WAS RELAY No. 15071. RC2 CONTACT WAS RC5, RC5 CONTACT WAS RC7, CONTACT UNIT SHOWN DOTTED WAS RC2.



APPARATUS SCHEDULE

CODE	ITEM	CODE	ITEM	CODE	ITEM
A	RELAY No. 15064	RR	RELAY No. 3233	C7	CAPACITOR ELECTROLYTIC No. 4007
B	" No. 15070	S	" No. 11493	C8	" No. 7538
D	" No. 15068	C1	CAPACITOR	MR1	RECTIFIER 1/12/AZ
EX	" No. 15072	C2	"	MR2	" 2N/12/AZ
FL	" No. 15067	C3	"	R1	RESISTOR COIL No. 9, 200 Ω
IL	" No. 15066	C4	"	R2	" No. 9, 10 Ω
RC	" No. 16038 (NOTE 3)	C5	"	R3	" No. 12 5K
RG	" No. 15069	C6	" No. 8003	R4	" CARBON 26 FC 82K

P.O.E.D
S BCh.

PAPER:- W
CIRCULATION:-
GENERAL

ISSUES	DESCRIPTION	DATE
B	REDRAWN IN NEW FORMAT. NOTES 4 & 5 DELETED. MINOR AMENDMENTS.	16-3-66
A	RC RELAY CHANGED AND MINOR AMENDMENTS. S.A.L.W.	16-9-63
	J.H. COMBRIDGE.	15.5.62