

H.E.S. No. 3.
 ALTERNATIVE LAYOUT WITH
 SPUR MULTIPLE STATIONS (TYPICAL)

Q406
 PAGE 1-4

NOTES:—

1. Other multiple stations may be arranged as shown in Figs 1 and 2 of this diagram, or as shown on Diagram Q402.
2. The colours of the wires terminated on terminals 11 to 15 in B.T. 37... depends upon the number of the station, see table below.

STATION NUMBER	COLOUR OF WIRE TERMINATED ON TERMINAL				
	11	12	13	14	15
1	S	W/B-W	W/S	B-W	W/B-O
2	W/S	S	W/B-W	B-W	W/B-O
3	B-W	S	W/S	W/B-W	W/B-O
4	W/B-O	S	W/S	B-W	W/B-W
5	W/B-W	S	W/S	B-W	W/B-O

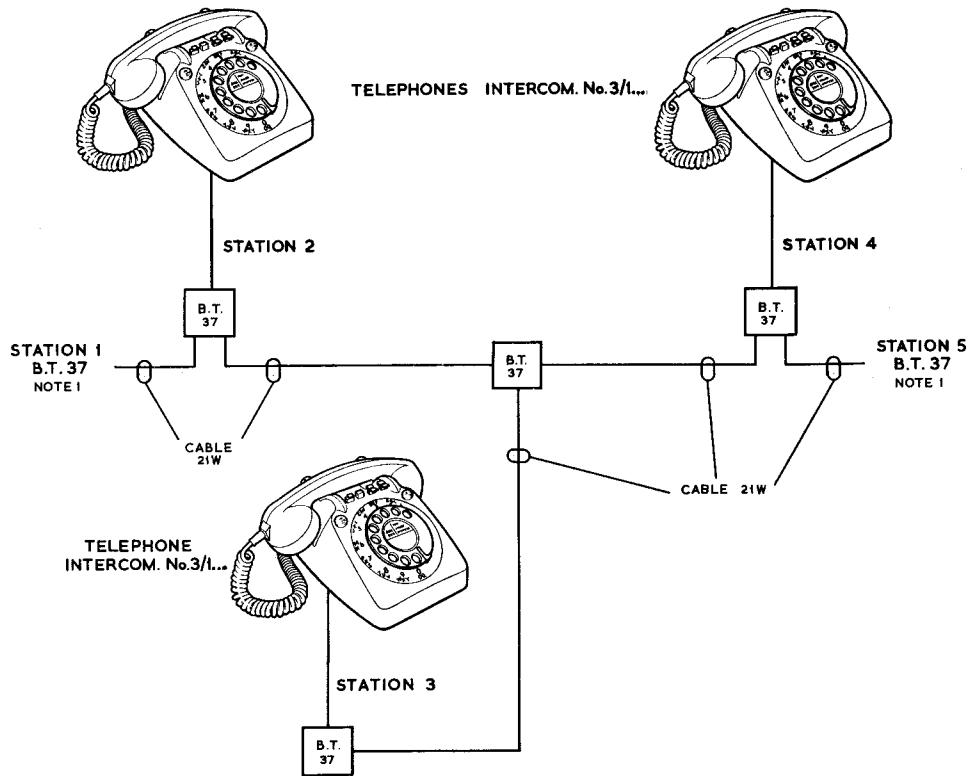
P.O. TELECOMMS HQRS.	ISSUE		
		PAPER:— W CIRC'LTN:— GENERAL	TDI. 4 SECTION 2.12.68.

Q 406
PAGE 2-4

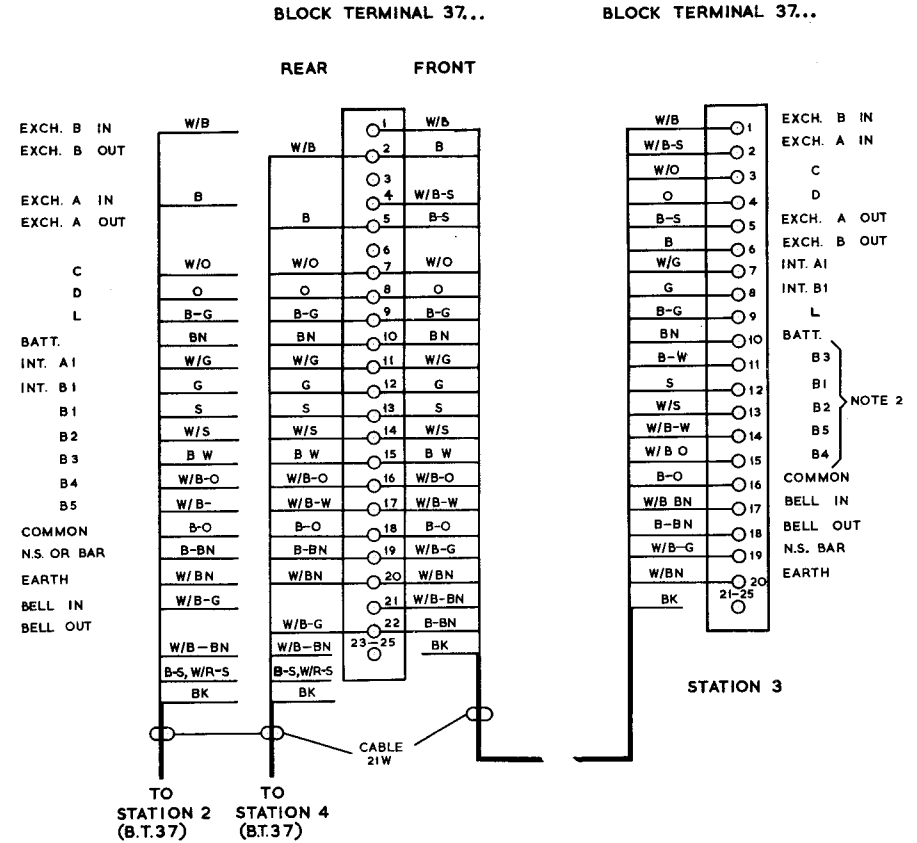
SPARE

ONE SPUR MULTIPLE STATION (TYPICAL)

LAYOUT

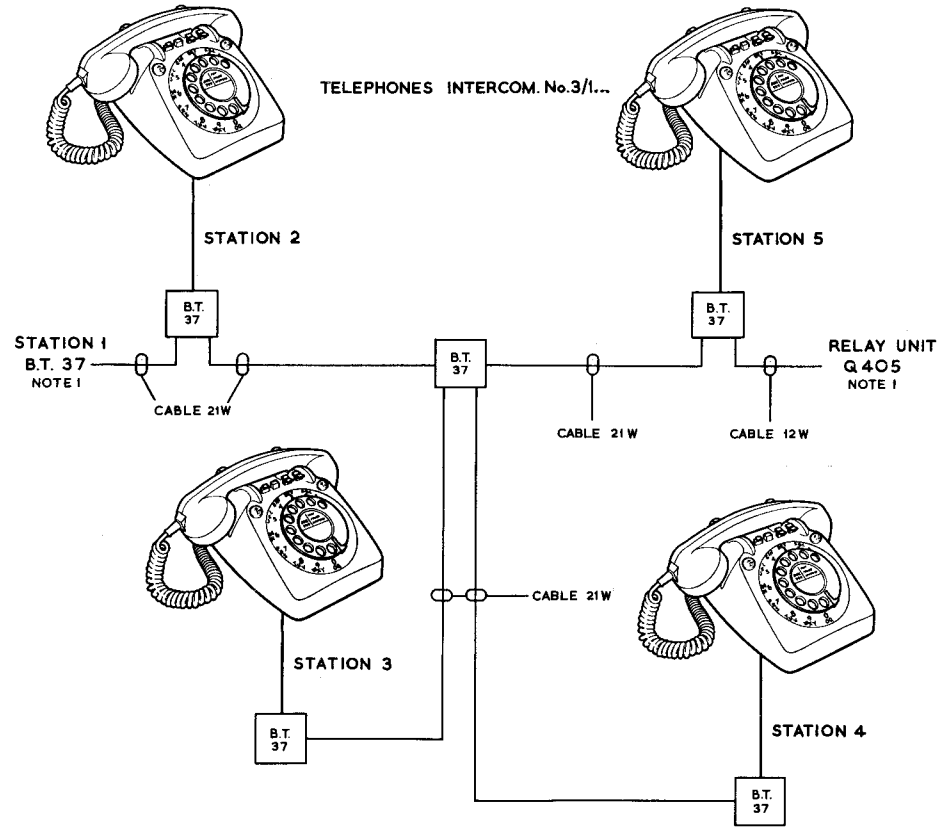


CABLING



TWO SPUR MULTIPLE STATIONS (TYPICAL)

LAYOUT



CABLING

