

H.E.S. No. 3  
 RELAY UNIT Q 405  
 COMMON EQUIPMENT

Q(L)405

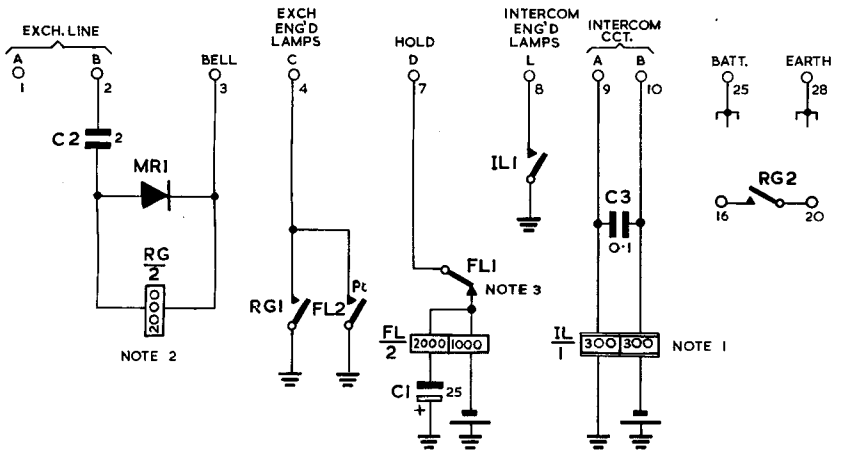
ISSUE B

APPARATUS SCHEDULE	
CODE	ITEM
FL	RELAY No. 15063
IL	RELAY No. 15065
RG	RELAY No. 15069
MRI	RECTIFIER 1/12/AZ
C1	CAPACITOR, ELECTROLYTIC No. 4007 (NOTE 5)
C2	CAPACITOR, PAPER No. 7725 (NOTE 4)
C3	CAPACITOR, PAPER No. 7538

NOTES :-

- INTERCOM SPEECH CURRENT OBTAINED VIA IL RELAY, WHICH OPERATES TO TELEPHONE LOOP.
- RG RELAY OPERATES TO EXCHANGE RINGING AND RG1 LIGHTS EXCHANGE ENGAGED LAMPS.
- DURING EXCHANGE LINE HOLD CONDITIONS, EARTH ON D WIRE TERMINAL 7 OPERATES FL RELAY. FL1 DISCONNECTS FL RELAY. C1 SLOWLY RECHARGES THROUGH FL RELAY. ON RELEASING, FL1 REMAKES AND FL RELAY REOPERATES. CYCLE IS REPEATED AS LONG AS EARTH IS MAINTAINED ON D WIRE. FL2 PULSING FLASHES EXCHANGE ENGAGED LAMPS.
- FIRST ISSUES OF THIS UNIT HAVE A CAPACITOR MC 102C.
- CAPACITOR, ELECTROLYTIC No 4007 IN CLIP No. 52D REPLACES CAPACITOR, ELECTROLYTIC No. 3119 AND CLIP No. 52E USED IN EARLY SUPPLIES OF THIS UNIT.

SCHEMATIC



P.O.E.D.	ISSUES		
S. BCH.			
PAPER:- W			
CIRCULATION:-		B REDRAWN, NEW FORMAT <i>John</i>	28. 11. 66
GENERAL		A MINOR AMENDMENTS S.A.W	16. 9. 63
	J.H. COMBRIDGE	SI/3	15. 5. 62