

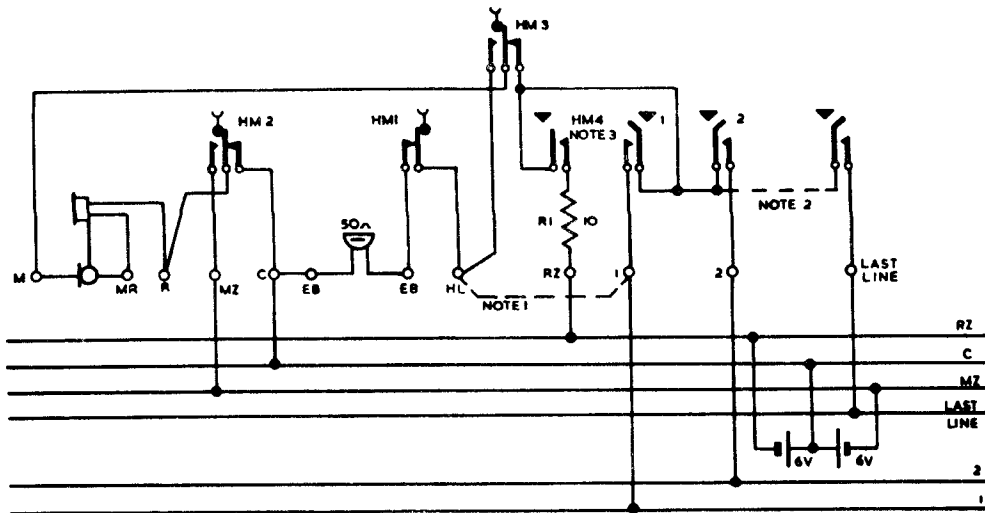
HOUSE TELEPHONE SYSTEM.
EXPLANATORY ELEMENTS
NORMAL CONDITION
STATION 1-HMT ON.

Q(L) 353
4 PANELS-1
5-5-59

GENERAL

11.12.64 A

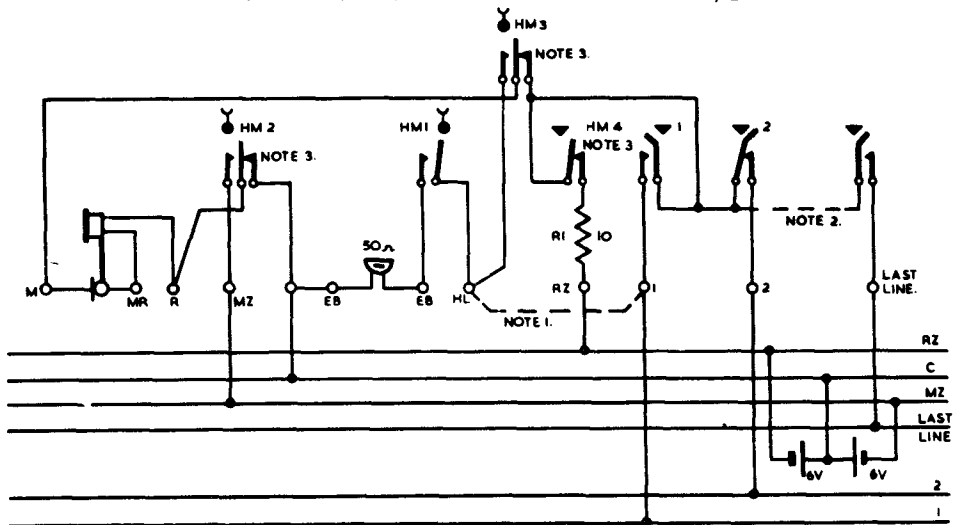
MADE WHITE, MINOR MODS.



W

- NOTES:-
1. HL IS CONNECTED TO HOME STATION TERMINAL.
 2. WIRED SIMILARLY FOR 5, 10, OR 15 LINE SYSTEMS.
 3. HM4 SPRINGS ARE OPERATED BY PRESS BUTTON FULLY DEPRESSED AND NOT BY RECEIVER REST

EXPLANATORY ELEMENTS.
 CALLING CONDITION
 STATION 1 CALLING STATION 2 - HMT OFF, BUTTON DEPRESSED.



- NOTES:** - 1 HL IS CONNECTED TO HOME STATION TERMINAL
 2. WIRED SIMILARLY FOR 5, 10, OR 15 LINE SYSTEMS.
 3. HM 2 & HM 3 MECHANICALLY RESTORED TO "HMT ON" POSITION AND HM 4 IS OPERATED, WHEN PRESS BUTTON FULLY DEPRESSED FOR CALLING.

HOUSE TELEPHONE SYSTEM.

EXPLANATORY ELEMENTS

ANSWERING CONDITION

STATION 2 - HMT OFF

Q(L)353

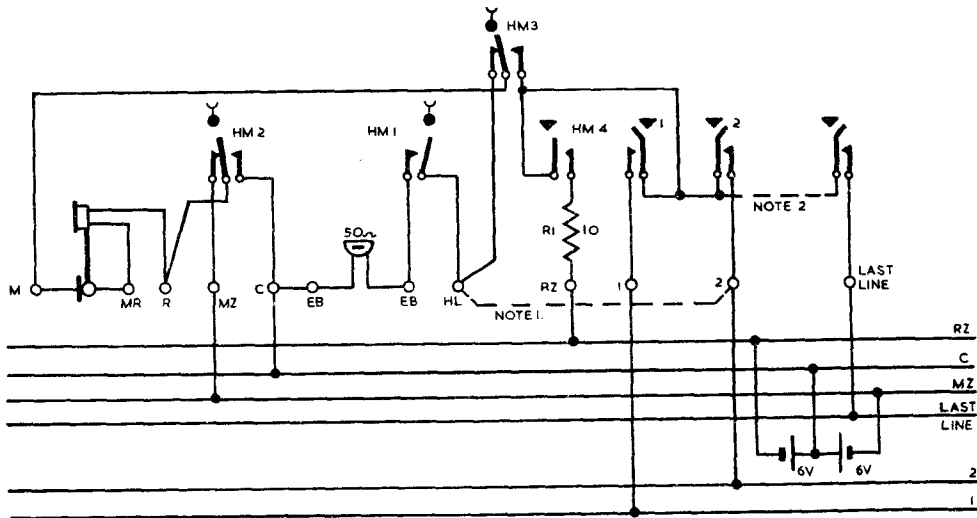
4 PANELS-3

5-5-59

GENERAL

11-12,64 A

MADE WHITE, MINOR MODS.



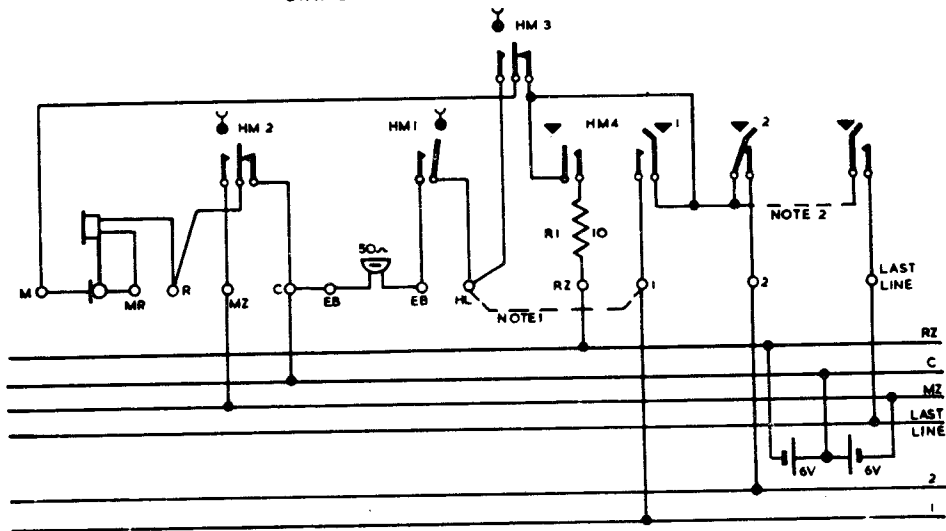
- NOTES :-
1. HL IS CONNECTED TO HOME STATION TERMINAL.
 2. WIRED SIMILARLY FOR 5, 10, OR 15 LINE SYSTEMS.

W

Q(L) 353

4 PANELS-4

EXPLANATORY ELEMENTS.
 CONVERSATIONAL CONDITION
 STATION 1 SPEAKING TO STATION 2 - HMT OFF.



- NOTES:-
1. HL IS CONNECTED TO HOME STATION TERMINAL.
 2. WIRE SIMILARLY FOR 5, 10, OR 15 LINE SYSTEMS.
 3. HM2 & HM3 MECHANICALLY RESTORED TO "HMT ON" POSITION WHEN PRESS BUTTON DEPRESSED FOR SPEAKING TO STATION PREVIOUSLY RUNG.